



Intel Atom® E3900 Series
10.1" Industrial Tablet PC

RPC101-AL



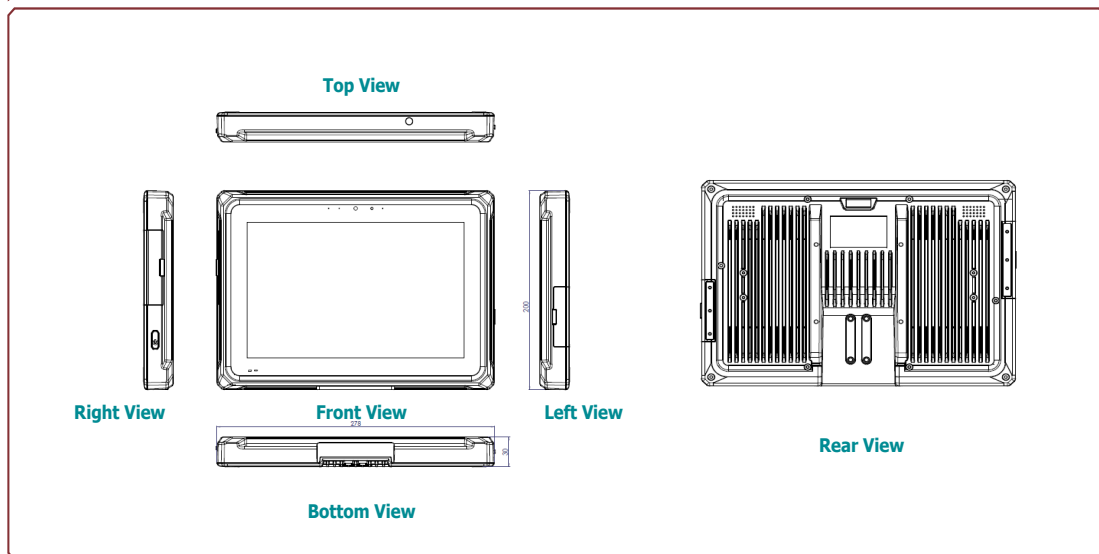
► Features

- IP54 Protection
- 500 nits sunlight readable display
- Capacitive touch supports glove touch, 2mm hard tip stylus; digitizer by request
- GNSS, Wi-Fi, Bluetooth and optional 4G LTE



Rear View

► Dimensions



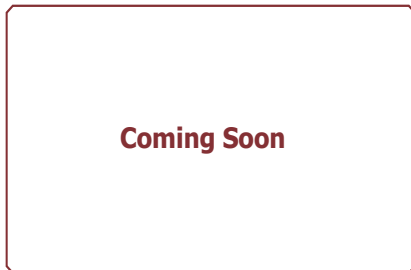
RPC101P-AL



► Specifications

SYSTEM	Processor	Intel Atom® x7-E3950 Processor Quad Core 1.6GHz, 2.0GHz
	Memory	4GB 2 LPDDR4 SDRAM 16Gb (512M*32)
DISPLAY AND TOUCH SCREEN	Display	10.1" Panel (1280*800)
	Brightness	500 cd/m ²
	Sensor	InvenSense
STORAGE	SSD	Option (mSATA for storage By M.2 2230), eMMC Reserve
COMMUNICATION	Wireless	By M.2 2230 connector, Option By Mini-PCIe Connector, Option GPS module, SMD,(16x12.2x2.4mm),NEO-M8L(UBLOX)
CAMERA	Rear Camera	1 x 5M Auto focus, Flash Light SOC CMOS Camera
LED	Indicator	1 x LED (Color Red + Green), 1 x LED (color: Blue)
I/O	Left	1 x USB Type C
		1 x Line out
	Rear	1 x Sim Card Cover
		1 x Power Button
Up Side	1 x GPS Antenna inside + 1 x Wifi Antenna	
POWER	AC/DC Adapter	24V DC in By POGO & DC Jack
	Battery	2S1P 7.3V min 3,750mAh / typ 4,100mAh , 4 hours@ film with speaker, 50% brightness
OS SUPPORT		Windows 10 IoT Enterprise
MECHANISM	IP Rating	IP54 Protection
	Dimensions (W x H x D)	278mm x 200mm x 30mm (W x H x D)
	Weight	2kg
ENVIRONMENT	Operating Temperature	-20~60°C Fixed Mount, 0~40°C Handheld
	Storage Temperature	-20~70°C
	Relative Humidity	5 to 85% RH (non-condensing)
STANDARDS AND CERTIFICATIONS	Drop	1 M Drop Tested
	Certification	CE, FCC, e-Mark (UNECE10 Compliance)
Mounting		VESA 75*75 , Cradle

► Expansion sets for RPC101-AL Industrial Tablet



Docking station

Item	Docking station
USB	1
COM	1
DP++	1
DC IN	12V
Dimension	TBD

► Ordering Information

Model Name	Part Number	Notes
RPC101P-AL50	TBD	10.1" Atom Tablet; RPC101P-AL50, Intel Atom E3950 , 4GB RAM, Capacitive Touch ,2M/5M Camera With Light sensor,12 VDC input, RoHs
Docking station	TBD	Tablet docking station: POGO to DP++, USB3.1, UART, DC IN

Assured Systems

Assured Systems is a leading technology company with over 1,500 regular clients in 80 countries, deploying over 85,000 systems to a diverse customer base in 12 years of business. We offer high-quality and innovative rugged computing, display, networking and data collection solutions to the embedded, industrial, and digital-out-of-home market sectors.

US

sales@assured-systems.com

Sales: +1 347 719 4508
Support: +1 347 719 4508

1309 Coffeen Ave
Ste 1200
Sheridan
WY 82801
USA

EMEA

sales@assured-systems.com

Sales: +44 (0)1785 879 050
Support: +44 (0)1785 879 050

Unit A5 Douglas Park
Stone Business Park
Stone
ST15 0YJ
United Kingdom

VAT Number: 120 9546 28
Business Registration Number: 07699660