

32" Rack Mount 4K UHD

W32L100-MLA1FP/FG-4K

Product Features

- 32" Display with UHD 4K (3840 x 2160) native resolution
- Dimmable 0-100% with backlight light sensing
- Thin and Compact Design with impact resistant screen
- Panel Mount design with front side removable handle
- AR protection Glass or Projected Capacitive Touch Screen
- Fanless and Ventless design, Easy to clean



Option 1
With AR Protection Glass, No Touch function



Option 2
With Projected Capacitive Multi Touch

Product Specifications

TFT Technology	LED Backlight Technology, TFT Active-matrix, Widescreen, IPS Technology
Viewable Size	32" diagonal
Active Area	708.48"(H) x 398.52"(V) mm
Native Resolution	3840 x 2160 (UHD 4K)
Pixel Pitch	0.181 (H) x 0.181(V)mm
Aspect Ratio	16:9
Response Time	12ms (Gray to Gray)
Light Intensity	350 cd/m2 (typ), Optional for high brightness 700cd/m2 (typ)
Contrast Ratio	1000:1 (typ)
View Angle	89/89/89/89
Max Colors	1.07B
Synchronization Signal Auto-detect	Digital Separate Sync., Composite Sync., Sync. On Green
Synchronization Range	31.5 kHz to 60.0 kHz (H) - 30 Hz to 75 Hz (V)
Optimal Resolution and Hz	3840 x 2160 @ 60 Hz 4:4:4
Detectable Resolutions (Partial List)	640 x 480, 720 x 400, 800 x 600, 1024 x 768, 1280 x 1024, 1600 x 1200, 1920 x 1080, 1920 x 1200, 2560 x 1440, 3840 x 2160, 4096 x 2160
Power Specifications	AC 110~240V (Default) DC 24V (Optional) MIL-DTL-38999/1 Connector Power Consumption 60W typical, normal operation
User Controls and Activity	Option 1 : Power, Brightness Down/Up, Auto Adjustment, Main Menu, Day/Night Mode, Key Pad Control Option 2 : Power ON/OFF, Menu Brightness Control

Input Signal	<ul style="list-style-type: none"> • DVI • HDMI 1.4 • HDMI 2.0 • Display Port 1.2 • VGA • Audio Line In • RS232 for Optional Remote Control • USB for Optional Touch
Product Dimensions	825 x 486 x 88.5 mm
Cutout Dimension	769.5 x 468 mm
Mounting	VESA mounting 100 x 100 mm VESA mounting 200 x 100 mm VESA mounting 300 x 100 mm
Product Weight	11 Kg
Touch	Option 1 : AR Protection Glass (W32L100-MLA1FG-4K) Option 2 : Projected Capacitive touch (W32L100-MLA1FP-4K)
Operating Temperature	0 deg.C to 50 deg.C, Humidity up to 95% (Optional wide temperature solution by request)
Storage Temperature	-10 deg.C to 60 deg.C, Humidity up to 95%
Order Information	W32L100-MLA1FP-4K (with Projected Capacitive Multi Touch) W32L100-MLA1FG-4K (with AR Protection Glass, No Touch function)
Certificates	CE, FCC
Compliance	MIL-STD-810F/G MIL-STD-461F/G (RE101/RE102), (CE101/CE102)



32" Rack Mount 4K UHD

W32L100-MLA1FP/FG-4K

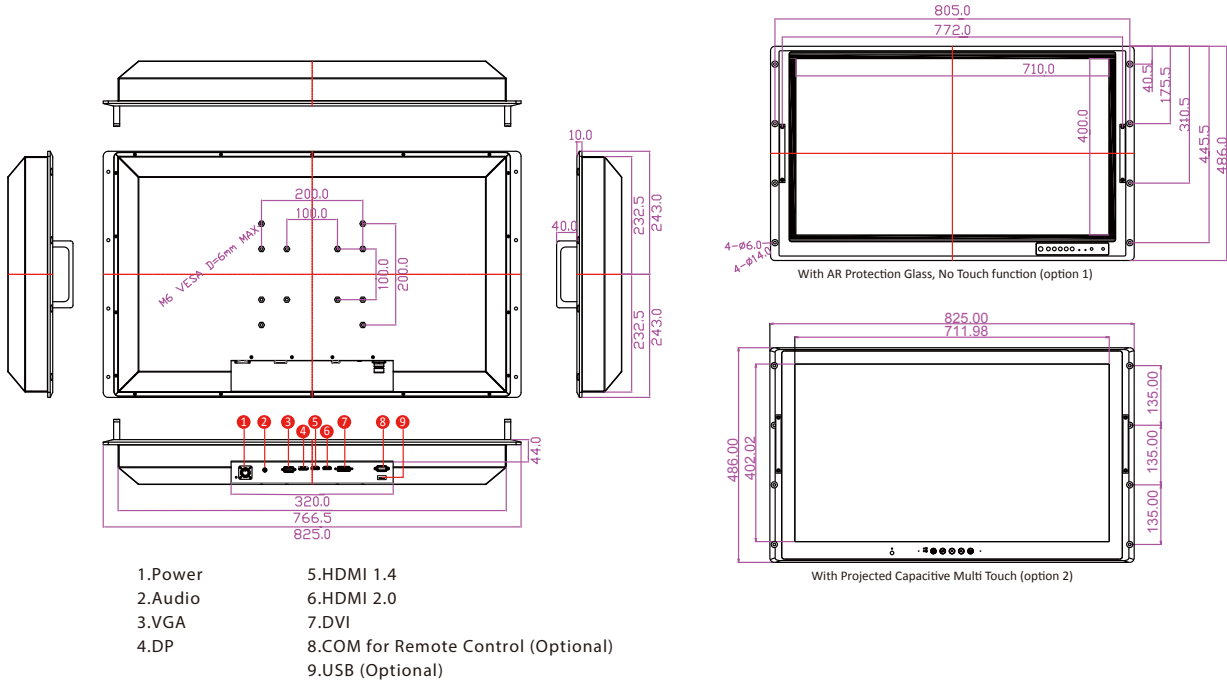
Military Grade EMC Compliance

EMC (MIL-STD 461E/F Compliance)			
EMC Test Spec	Type of Test	Frequency Range	Requirement
CE101	Conducted Emissions	30Hz ~10kHz	30Hz ~ 1kHz :110 dB 1k-10k:110-90 dB
CE102	Conducted Emissions	30Hz ~10kHz	10kHz ~ 500kHz: 100-66dB, 500kHz~10MHz:66dB
RE101	Radiated Emissions	30Hz ~100kHz	(30~100k :180-110 dBpT)
RE102	Radiated Emissions	10kHz ~18GHz	(2MHz~18G Hz: 44-89 dB)

Military Grade Environmental Compliance

Environmentals (MIL-STD 810F/G Compliance)		
Low Pressure	Operating	15,000 ft, Method 500.5 / Procedure II
	Storage	15,000 ft, Method 500.5 / Procedure I
Salt Fog	Method 509.5	
Vibration	5 ~ 500 Hz, 1.48 & 1.90 & 2.24 Grms Method 514.6 / Procedure I	
Transit Drop	Method 516.6 / Procedure IV	
Shock	Method 516.6 / Procedure I	

Mechanical Drawing



Assured Systems

Assured Systems is a leading technology company with over 1,500 regular clients in 80 countries, deploying over 85,000 systems to a diverse customer base in 12 years of business. We offer high-quality and innovative rugged computing, display, networking and data collection solutions to the embedded, industrial, and digital-out-of-home market sectors.

US

sales@assured-systems.com

Sales: +1 347 719 4508
Support: +1 347 719 4508

1309 Coffeen Ave
Ste 1200
Sheridan
WY 82801
USA

EMEA

sales@assured-systems.com

Sales: +44 (0)1785 879 050
Support: +44 (0)1785 879 050

Unit A5 Douglas Park
Stone Business Park
Stone
ST15 0YJ
United Kingdom

VAT Number: 120 9546 28
Business Registration Number: 07699660