



**Intel Atom® E3800 Series
7" Industrial Tablet PC**

RPC070-BT



► Features

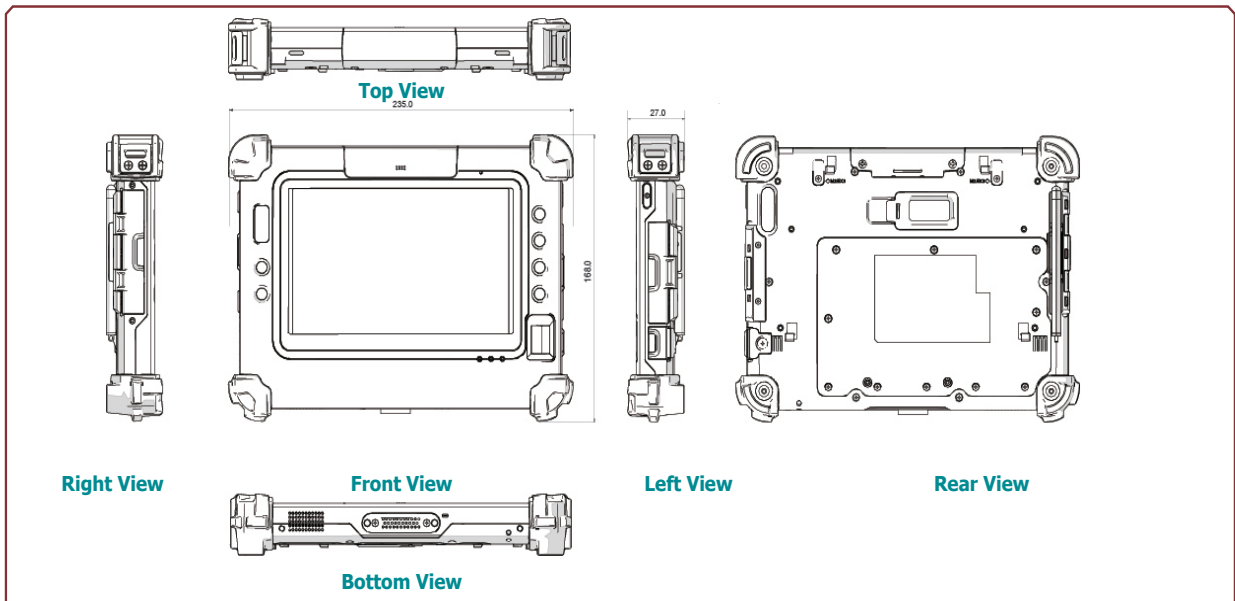
- 7" capacitive multi-touch with Gorilla glass
- 850 nits, Optical Bonding with AR/AF sunlight readable solution
- IP65, MIL-STD-810G, 5-foot drop resistance
- NFC, GNSS, WLAN, WWAN, Bluetooth
- Hot swappable battery design
- Optional fingerprint and MRZ reader



► I/O Connectors



► Dimensions



Specifications

SYSTEM	Processor	Intel® Celeron N2930 Processor 1.83GHz	
	Memory	4GB/8GB DDR3L Onboard	
DISPLAY AND TOUCH SCREEN	Display	7" WSVGA (1024 x 600), Multiple Capacitive Touch with Gorilla Glass	
	Brightness	850 cd/m ² , Optical Bonding with AR/AF Solution	
	Sensor	Accelerometer Sensor E-Compass Sensor Gyroscope Sensor	Vibrator Light Sensor
STORAGE	SSD	128GB/256GB SSD Onboard FIPS 140-2 Certified SSD Onboard up to 256GB (optional)	
COMMUNICATION	Wireless	Wi-Fi 802.11 a/b/g/n/ac Bluetooth V4.0+EDR NFC RFID 13.56MHz (ISO 14443 A/B, FeliCa)	GNSS (GPS/GLONASS, optional BeiDou) 4G LTE (optional)
		REAR CAMERA	8.0 Mega Pixels, Auto Focus, LED Flash Light
	FRONT CAMERA	2.0 Mega Pixels	
AUDIO	INTERNAL	2 x 0.8W Speaker	
LED	INDICATOR	1 x Red/Green LED for Power and System Status 1 x Blue LED for NFC RFID	
		I/O	EXTERNAL
BUTTONS	1 x Power Button 1 x Menu Button 1 x Windows Button 4 x Programmable Button		
SECURITY	TPM	TPM 2.0 Fingerprint Reader, Capacitive, 508 dpi (optional) Janus USB Ignition Key, Phoenix SecureWipe (optional)	
		POWER	AC/DC ADAPTER
	BATTERY		2900mAh (standard) 4200mAh (optional Hot Swappable Battery)
OS SUPPORT		Windows 10 IoT Enterprise Window Embedded 8.1 Industry Pro	
MECHANISM	IP RATING	IP65 Protection	
	DIMENSIONS (W x H x D)	225mm x 168mm x 270mm (8.9" x 6.6" x 1.1")	
	WEIGHT	950 g	
ENVIRONMENT	OPERATING TEMPERATURE	-20 to 50°C	
	STORAGE TEMPERATURE	-30 to 70°C	
	CHARGING TEMPERATURE	0 to 40°C	
	RELATIVE HUMIDITY	5 to 95% RH (non-condensing)	
STANDARDS AND CERTIFICATIONS	DROP	5ft Drop Tested	
	CERTIFICATION	CE, FCC, MIL-STD-810G	

Packing List

• 1 RPC070-BT Tablet
• 1 Power Adapter
• 1 Hand Strap
• 1 Shoulder Strap
• 1 Handle

Assured Systems

Assured Systems is a leading technology company with over 1,500 regular clients in 80 countries, deploying over 85,000 systems to a diverse customer base in 12 years of business. We offer high-quality and innovative rugged computing, display, networking and data collection solutions to the embedded, industrial, and digital-out-of-home market sectors.

US

sales@assured-systems.com

Sales: +1 347 719 4508
Support: +1 347 719 4508

1309 Coffeen Ave
Ste 1200
Sheridan
WY 82801
USA

EMEA

sales@assured-systems.com

Sales: +44 (0)1785 879 050
Support: +44 (0)1785 879 050

Unit A5 Douglas Park
Stone Business Park
Stone
ST15 0YJ
United Kingdom

VAT Number: 120 9546 28
Business Registration Number: 07699660