

# eBOX627-312-FL NEW

Fanless Embedded System with Intel® Celeron® N3350 2.4 GHz/Pentium® N4200 2.5 GHz, HDMI, 2 GbE LANs, 6 USB, 4 COM and 9 to 36 VDC

## Features

- Intel® Celeron® N3350/Pentium® N4200 onboard
- 204-pin DDR3L-1866 SO-DIMM for up to 8GB of memory
- Support HDMI, 2 GbE LANs, 4 COM and 6 USB
- Flexible I/O Window supported
- Trusted Platform Module 1.2 (TPM) 1.2
- -20°C to +70°C operating temperature range
- 9 to 36 VDC wide range DC input
- AXView 2.0 intelligent remote monitoring software for IIoT



## Specifications

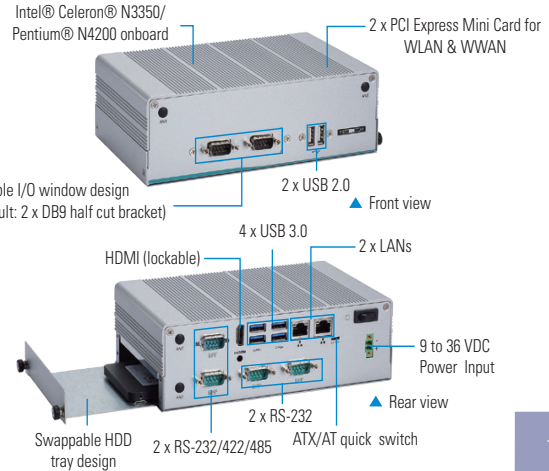
Standard Color	Silver
Construction	Aluminum extrusion and heavy-duty steel, IP40
CPU	Intel® Celeron® Processor N3350 2.4 GHz Intel® Pentium® Processor N4200, 2.5 GHz
System Memory	1 x 204-pin DDR3L-1866 SO-DIMM, up to 8GB
Chipset	SoC integrated
BIOS	AMI
System I/O Outlet	2 x RS-232/422/485 2 x RS-232 1 x HDMI (lockable) 2 x 10/100/1000 Mbps Ethernet (Intel® i211-AT) 2 x USB 2.0 4 x USB 3.0 4 x SMA-type antenna connector 1 x Phoenix type VDC power input connector 1 x AT/ATX switch 1 x ATX power switch 1 x Flexible I/O Window (default : 2 x DB9 half cut bracket)
Watchdog Timer	65536 levels, 1 to 65535 sec.
Storage	1 x 2.5" HDD/SSD bay (max. up 9.5 mm height) 1 x mSATA (enabled in BIOS setting)
Expansion Interface	2 x Full-size PCI Express Mini Card slot (USB + PCI Express signal) 1 x SIM slot
TPM	TPM 1.2
System Indicator	1 x green LED for system power-on 1 x yellow LED for HDD/SSD active
Power Input	9 to 36 VDC
Operating Temperature	Turbo Mode -20°C to +65°C (-4°F to +149°F) (with W.T. SSD/DRAM for 9 to 36 VDC) (default) Non-turbo Mode -20°C to +70°C (-4°F to +158°F) (with W.T. SSD/DRAM for 12 or 24 VDC)
Humidity	10% to 95%, non-condensing
Shock	IEC 60068-2-27 (with SSD: 50G, half sine, 11 ms duration)
Dimensions	200 mm (7.87") (W) x 120 mm (4.72") (D) x 65 mm (2.55") (H)
Weight (net/gross)	1.38 kg (3.04 lb)/2.08 kg (4.59 lb)
Certifications	CE, FCC Class A
EOS support	Win 10 IoT, Linux, AXView 2.0

\* W.T.: Wide Temperature. All W.T. supported products have to be sorted by Axiomtek.

## Packing List

- 1 x Quick manual
- 1 x Driver CD
- 1 x Screws pack
- 1 x DRAM thermal pad
- 4 x Pre-installed foot pad
- 1 x 2-pin terminal block connector

\* All specifications and photos are subject to change without notice.



## Power Protection

### AC Version

- OVP (over voltage protection)
- UVP (under voltage protection)
- SCP (short current protection)

## Ordering Information

### Standard

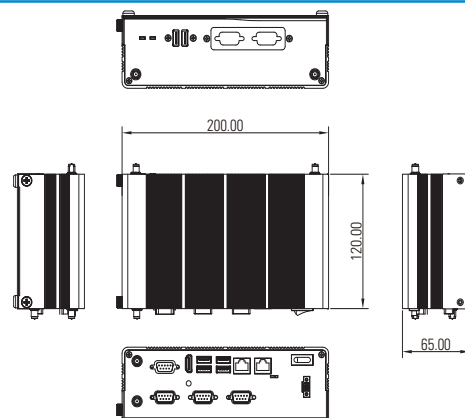
eBOX627-312-FL-DC-N3350	Fanless embedded system with Intel® Celeron® N3350 2.4 GHz, 1 HDMI, 2 GbE LANs, 6 USB, 4 COM and 9 to 36 VDC
eBOX627-312-FL-DC-N4200	Fanless embedded system with Intel® Celeron® N4200 2.5 GHz, 1 HDMI, 2 GbE LANs, 6 USB, 4 COM and 9 to 36 VDC

### Optional

2.5" SATA HDD	64GB or above
2.5" SATA SSD	100GB or above
DDR3L SO-DIMM	2GB to 8GB
mSATA	64GB or above
8816K6271A0E	Wall mount Kit
8816K6272A0E	VESA mount kit
8816K6273A0E	DIN-rail kit
50906D24000E	24V 120W adapter
881606209A0E	Wi-Fi module
	3G/LTE module
E392903102	AX92903 CANbus PCI Express Mini module
E392903103	AX92903 CAN module with CANOpen
E392902103	AX92902 LAN PCI Express Mini module
E392906101	AX92906 COM PCI Express Mini module
E392904102	AX92904 DIO PCI Express Mini module

\* Specifications and certifications may vary based on different requirements.

## Dimensions



www.axiomtek.com

© 2019 Axiomtek Co., Ltd. All rights reserved.

## Assured Systems

Assured Systems is a leading technology company with over 1,500 regular clients in 80 countries, deploying over 85,000 systems to a diverse customer base in 12 years of business. We offer high-quality and innovative rugged computing, display, networking and data collection solutions to the embedded, industrial, and digital-out-of-home market sectors.

### US

[sales@assured-systems.com](mailto:sales@assured-systems.com)

Sales: +1 347 719 4508  
Support: +1 347 719 4508

1309 Coffeen Ave  
Ste 1200  
Sheridan  
WY 82801  
USA

### EMEA

[sales@assured-systems.com](mailto:sales@assured-systems.com)

Sales: +44 (0)1785 879 050  
Support: +44 (0)1785 879 050

Unit A5 Douglas Park  
Stone Business Park  
Stone  
ST15 0YJ  
United Kingdom

VAT Number: 120 9546 28  
Business Registration Number: 07699660