



15" Industrial Monitors
DuraVision[®]
FDX1501-A / FDX1501T-A



Highly Durable 15" Industrial Monitors with High Brightness and Multiple Mounting Options

Flexible Installation

To meet the requirements of different industrial installations, the monitors are available in four configurations – desktop, VESA mount, panel mount, and chassis.

High Brightness for Visibility

The maximum brightness of 400 cd/m² (320 cd/m² for the FDX1501T-A) ensures excellent screen visibility in bright ambient environments. The brightness is adjustable to as low as 0.5 cd/m², making them easy to view in low ambient lighting conditions.

Durable Build

Both monitors can withstand temperatures ranging from 0 - 50°C for high durability in industrial environments. In addition, the cabinets do not contain any ventilation holes, making them impervious to liquids and dust.



Monitor Top View

Touch Panel Variation

The FDX1501T-A is equipped with an analog resistive touch panel that has a minimum touch life of 10 million touches. It accepts touch input from both bare and gloved hands as well as styluses. It is also more resistant to dust and water compared to other touch technologies for increased durability.



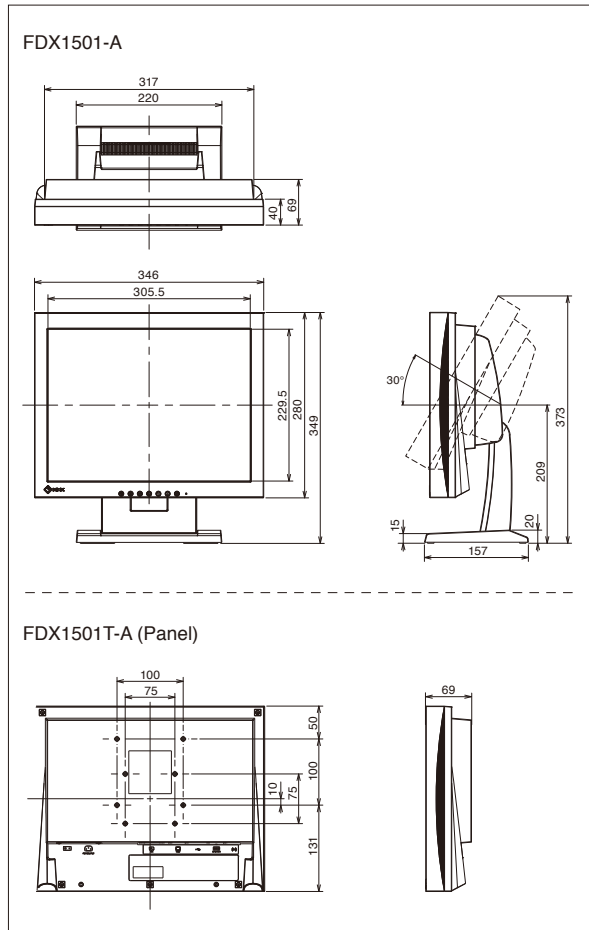
Flexible Positioning

The monitors are built to operate in both standard horizontal positions and non-standard positions such as attached to a mounting device or tilted at an extreme angle.

Additional Features

- D-Sub mini 15 pin analog input
- DVI-D 24 pin digital input
- Key lock support
- 3-year, 24 hour use manufacturer's warranty

■ Dimensions



SPECIFICATIONS

	Without Touch Panel FDX1501-A	With Touch Panel FDX1501T-A
Model Variations	With Stand, Without Stand	With Stand, Without Stand
Cabinet Colors	Gray, Black	Gray, Black
Panel	TN	TN
Size	15" / 38 cm (380 mm diagonal)	15" / 38 cm (380 mm diagonal)
Native Resolution	1024 x 768 (4:3 aspect ratio)	1024 x 768 (4:3 aspect ratio)
Display Size (H x V)	304.1 x 228 mm	304.1 x 228 mm
Pixel Pitch	0.297 x 0.297 mm	0.297 x 0.297 mm
Display Colors	16.77 million	16.77 million
Viewing Angles (H / V, typical)	160°, 160°	160°, 160°
Brightness (typical)	400 cd/m ²	320 cd/m ²
Contrast Ratio (typical)	600:1	600:1
Response Time (typical)	8 ms (Black-white-black)	8 ms (Black-white-black)
Input Terminals	DVI-D 24 pin x 1 (with HDCP), D-Sub mini 15 pin x 1	DVI-D 24 pin x 1 (with HDCP), D-Sub mini 15 pin x 1
Digital Scanning Frequency (H / V)	31 - 49 kHz, 59 - 61 Hz (VGA Text: 69 - 71 Hz)	31 - 49 kHz, 59 - 61 Hz (VGA Text: 69 - 71 Hz)
Analog Scanning Frequency (H / V)	24 - 61 kHz, 55 - 76 kHz	24 - 61 kHz, 55 - 76 kHz
Speakers	0.5 W + 0.5 W	0.5 W + 0.5 W
Sound Input Terminals	3.5 mm stereo jack x 1	3.5 mm stereo jack x 1
Sound Output Terminals	3.5 mm headphone jack x 1	3.5 mm headphone jack x 1
Sound Adjustment	Volume	Volume
Power Requirements	AC 100 - 240 V, 50 / 60	AC 100 - 240 V, 50 / 60
Maximum Power Consumption	15 W	15 W
Typical Power Consumption	6 W	6 W
Power Save Mode	Less than 0.5 W	Less than 0.5 W
Standby Mode	Less than 0.5 W	Less than 0.5 W
Power Management	Power Save (VESA DPM and DVI DMPM), ECO Timer	Power Save (VESA DPM and DVI DMPM), ECO Timer
OSD Settings	Screen Adjustment (Clock, Phase, Position, Range (Auto), Smoothing (5 stages), Color Adjustment (Brightness, Gamma, Temperature, Gain, Saturation, Hue, Reset, Color Mode), Signal Switching, Power Indicator, Product Information (name, serial number, resolution, operating time, etc.), Reset	Screen Adjustment (Clock, Phase, Position, Range (Auto), Smoothing (5 stages), Color Adjustment (Brightness, Gamma, Temperature, Gain, Saturation, Hue, Reset, Color Mode), Signal Switching, Power Indicator, Product Information (name, serial number, resolution, operating time, etc.), Reset
Dimensions (Landscape, W x H x D)	346 x 349 x 157 mm	346 x 349 x 157 mm
Dimensions (Without Stand, W x H x D)	346 x 280 x 69 mm	346 x 280 x 69 mm
Net Weight	5.4 kg	5.8 kg
Net Weight (Without Stand)	3.0 kg	3.4 kg
Tilt	30° Up, 0° Down	30° Up, 0° Down
Certifications & Standard	CB, CE, CTUVus, FCC-B, Canadian ICES-003-B, TUV/S, VCCI-B, CCC, RCM, RoHS, WEEE, China RoHS, J-Moss Green mark Guideline	CB, CE, CTUVus, FCC-B, Canadian ICES-003-B, TUV/S, VCCI-B, CCC, RCM, RoHS, WEEE, China RoHS, J-Moss Green mark Guideline
Supplied Accessories	Signal cable (D-Sub - D-Sub), audio cable, setup manual, CD-ROM (PDF user's manual, touch panel driver), clammer, screw for clammer, screws for mount option (Freemount Only)	Signal cable (D-Sub - D-Sub), USB cable, audio cable, setup manual, CD-ROM (PDF user's manual, touch panel driver), clammer, screw for clammer, screws for mount option (Freemount Only)
Warranty	Three Years	Three Years

Touch Panel

Type	-	Analog resistive
Communication Protocol	-	USB 2.0 / RS-232C
Touch Life	-	10 million touches (minimum)
Compatible OS	-	Windows 7(64bit, 32 bit) / Vista(32-bit) / XP(32-bit)

EIZO Corporation

153 Shimokashiwano, Hakusan, Ishikawa 924-8566 Japan

Phone +81-76-277-6792 Fax +81-76-277-6793

www.eizoglobal.com

All product names are trademarks or registered trademarks of their respective companies.

DuraVision and EIZO are registered trademarks of EIZO Corporation.

Specifications are subject to change without notice.

Copyright ©2014 EIZO Corporation. All rights reserved.

Assured Systems

Assured Systems is a leading technology company with over 1,500 regular clients in 80 countries, deploying over 85,000 systems to a diverse customer base in 12 years of business. We offer high-quality and innovative rugged computing, display, networking and data collection solutions to the embedded, industrial, and digital-out-of-home market sectors.

US

sales@assured-systems.com

Sales: +1 347 719 4508
Support: +1 347 719 4508

1309 Coffeen Ave
Ste 1200
Sheridan
WY 82801
USA

EMEA

sales@assured-systems.com

Sales: +44 (0)1785 879 050
Support: +44 (0)1785 879 050

Unit A5 Douglas Park
Stone Business Park
Stone
ST15 0YJ
United Kingdom

VAT Number: 120 9546 28
Business Registration Number: 07699660