



**XF700 Vehicle Monitor**

**Introduction**



**XF700** series by Inelmatic Electronics, brings the possibility of minimize the needed space for any computer application which demands a display. It's the perfect the Human Machine Interface (HMI) for restricted space and harsh environments, like personal vehicles, public transportation vehicles and any other situation where the dimensions and image quality is important, even under strong ambient light or direct sunlight.

It includes a video scaler chipset supporting standard VESA from 640 x 480px upto 1920x1440px

including the native resolution 800x480px for a perfect pixel-match on the most demanding image accuracy.

The Optional touch panel with USB or RS232 inteface adds an efficient human interface which brings full interactivity and high reliability.



-XF700HB-US Under Sunlight -

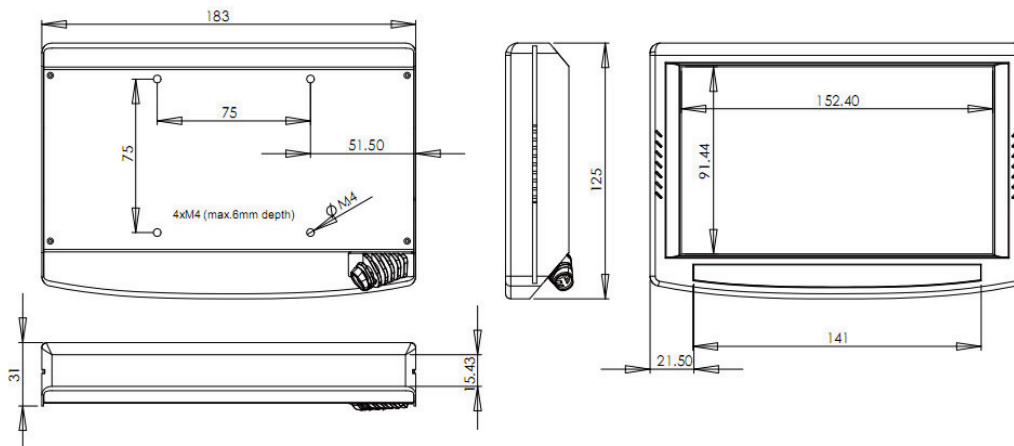
In addition, the XF700 includes the latest generation of LED backlight with passive enhancement, to achieve a high brightness keeping the lowest power consumption. Besides, the manual and automatic dimmer bring the possibility of match the brightness to the ambient light, it makes the display able to work from darkest conditions without disturb the driver's visibility, upto high brightness for the strongest light environments.

**Main features**

- \* High brightness ultra-low power LED backlight.
- \* Sun-readable.
- \* 4 Steps backlight dimmer and autodimmer, user programmable.
- \*Autopower on/off by VGA signal.
- \*True 800x480px input mode.
- \*Two composite video inputs.
- \*One composite video input with autopower / autoswitch.
- \*All in one cable, 2.5m and 4.5m length options.
- \*Power 6-32V, meets automotive car/truck requirements.
- \* Ultra low power consumption.
- \* Wide temperature range.
- \* Shock/Vibration proof.
- \* Aluminium chassis.
- \* VESA 75mm mounting holes and stand alone mount accesories.
- \* Customization available for small qty.



**Drawing**





**XF700 Vehicle Monitor**

**Specifications**

|                   |   |
|-------------------|---|
| Size              | 7 inches  |
| Aspect            | 16:9  |
| Inputs            | VGA / DVI / HDMI, 3 x Composite Video             |
| Audio             | 2 x 1W  |
| Touch Panel       | Resistive 4 wires USB/RS232. Endurance >2M touch. |
| Power supply      | 6-32VDC automotive car/truck suitable.            |
| Power consumption | 6W  |
| Mounting          | Stand alone and headrest accesories.              |
| Warranty          | 12 months international, 24 months Europe.        |
| Certification     | CE, e-Mark, EN50155                               |

**Mechanical and environmental specs**

|                        |  |
|------------------------|--|
| Dimensions             | 183x125x31mm   |
| Weight                 | 700gr  |
| Enclosure              | Aluminium chasis/rear. PVC-ABS front.                          |
| Operation temperature. | -35°C to 85°C max (-20°C to 60°C continuous)                   |
| Storage temperature.   | -35°C a 85°C   |
| Vibrations             | 1G 2-500Hz   |
| Shock                  | 20G 11ms   |
| Drop                   | 10cm max.  |
| Mounting               | VESA 75mm mounting holes, Stand alone and headrest accesories. |

**Optical specifications**

|                     |   |
|---------------------|---|
| Brightness          | 600 nits, Backlight Lifetime: 50.000h                               |
| Contrast            | 500:1   |
| Angle               | 140° H, 110° V  |
| Native resolution   | 800x480px   |
| Outdoor readability | Meets <b>MIL-STD-3009</b> (sunlight readable version XF700HB-US/RS) |
| NVIS                | Optional NVIS B compliant   |

**ORDER INFORMATION**

Code and Options:

XF700HB-X Y V A C - NB

HB: High Brightness 600nits  
Empty: 400nits

X - Touch Screen Option  
U : USB  
R : RS232  
N : W/O Touch Panel

Y - Usage Option  
N : Normal  
D : Day Light Readable  
S : Sun Light Readable

NB: non bonded option for sun-  
light/daylight readable versions

C - Cable Option  
2 : 2.5 meters  
4 : 4.5 meters  
C : Custom Cable

A - Audio Option  
N : W/O Audio  
A : Stereo Audio

V - Video Option  
V : Video Input  
N : W/O Video

Example: XF700HB-USVA2 USB Touch Panel, Sunlight readable ,Video, Stereo Audio with 2.5 meters lenght cable.

DOC10244-300610-01

## Assured Systems

Assured Systems is a leading technology company with over 1,500 regular clients in 80 countries, deploying over 85,000 systems to a diverse customer base in 12 years of business. We offer high-quality and innovative rugged computing, display, networking and data collection solutions to the embedded, industrial, and digital-out-of-home market sectors.

### US

[sales@assured-systems.com](mailto:sales@assured-systems.com)

Sales: +1 347 719 4508  
Support: +1 347 719 4508

1309 Coffeen Ave  
Ste 1200  
Sheridan  
WY 82801  
USA

### EMEA

[sales@assured-systems.com](mailto:sales@assured-systems.com)

Sales: +44 (0)1785 879 050  
Support: +44 (0)1785 879 050

Unit A5 Douglas Park  
Stone Business Park  
Stone  
ST15 0YJ  
United Kingdom

VAT Number: 120 9546 28  
Business Registration Number: 07699660