

OPD-1126A

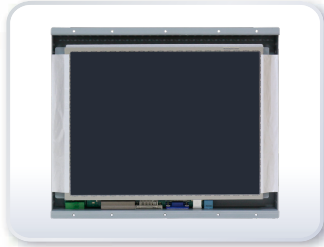
12.1" Open Frame Design Industrial Display

Industrial Panel PC

HMI Controller

Industrial Display Monitor

Box PC



Features

- 12.1" Open frame design industrial display
- Metal front panel
- OSD at rear side
- VESA mount 75 x 75
- Optional resistive touch panel, (USB interface or RS-232)
- Default DC 9~36V input
- VGA, DVI, HDMI, and DP input



Specifications

I/O Port	
VGA	1 x VGA
DVI	1 x DVI-D
DP	1 x DP
HDMI	1 x HDMI
Audio	1 x Audio Line-in phone jack
Power Input	1 x 3 pins terminal block for DC power input
Others	1 x USB type B for touch control 1 x RS-232 DB-9 for touch control (option)
OSD Control	MEMBRANE, OSD on the rear side

Display	Standard	Option
Display Type	12.1" TFT-LCD	12.1" TFT-LCD
Max. Resolution	800 x 600	800 x 600
Max. Color	16.7M	16.2M
Luminance (cd/m ²)	500	450
View Angle	178(H) / 178(V)	178(H) / 178(V)
Contrast	1000:1	1500:1
Backlight Lifetime	30,000 hrs	50,000 hrs

Touch Screen	
Type	Resistive Touch
Interface	USB default RS-232 option
Light Transmission(%)	80%

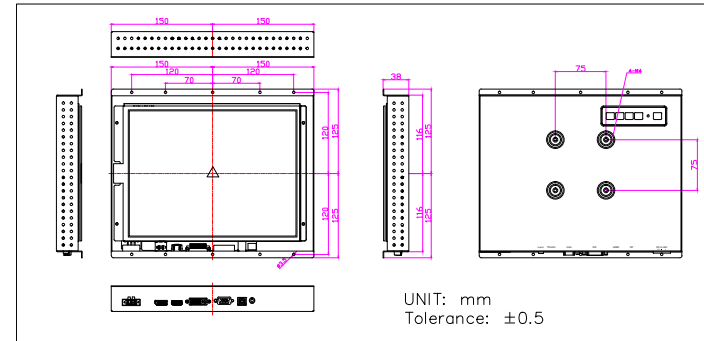
Power	
Power Input	DC 9~36V
Power Consumption	OPD-1126A(T): 13W (MAX)

Mechanical	
Construction	Steel Chassis
Mounting	Panel mount / VESA mount 75 x 75
Dimensions (WxHxD)	300 x 250 x 38 mm
Net Weight	1.9 kg

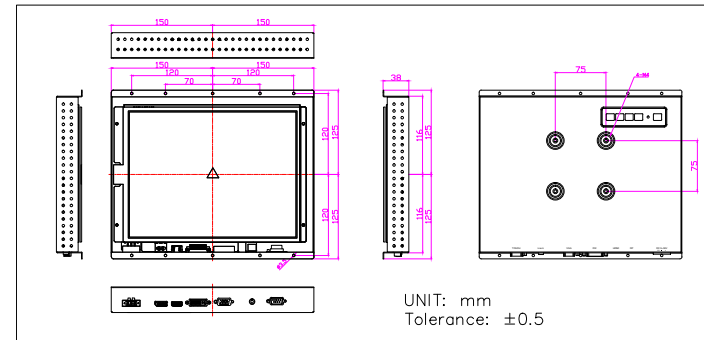
Environmental	
Operating Temperature	0~50°C
Storage Temperature	-30~70°C
Humidity	10 to 95% @ 40°C, Non-condensing
Certificate	CE/FCC, Class A

Dimensions

OPD-1126A USB



OPD-1126A RS-232



Ordering Information

OPD-1126A	12.1" 800x600 industrial display, VGA, DVI-D,HDMI,DP input, 5 keys front OSD, DC 9~36V power input, no touch with protective glass, steel chassis.
OPD-1126A(T)	12.1" 800x600 industrial display, VGA, DVI-D,HDMI,DP input, 5keys front OSD, DC 9~36V power input, 5-wire Resistive Touch, steel chassis.
OPD-1126A	12.1" 800x600 industrial display, VGA, DVI-D,HDMI,DP input, 5 keys front OSD, DC 9~36V power input, no touch with protective glass, steel chassis.
OPD-1126A(T)	12.1" 800x600 industrial display, VGA, DVI-D,HDMI,DP input, 5keys front OSD, DC 9~36V power input, 5-wire Resistive Touch, steel chassis.

Assured Systems

Assured Systems is a leading technology company with over 1,500 regular clients in 80 countries, deploying over 85,000 systems to a diverse customer base in 12 years of business. We offer high-quality and innovative rugged computing, display, networking and data collection solutions to the embedded, industrial, and digital-out-of-home market sectors.

US

sales@assured-systems.com

Sales: +1 347 719 4508
Support: +1 347 719 4508

1309 Coffeen Ave
Ste 1200
Sheridan
WY 82801
USA

EMEA

sales@assured-systems.com

Sales: +44 (0)1785 879 050
Support: +44 (0)1785 879 050

Unit A5 Douglas Park
Stone Business Park
Stone
ST15 0YJ
United Kingdom

VAT Number: 120 9546 28
Business Registration Number: 07699660