



12.1" Industrial Monitors
DuraVision[®]
FDSV1201 / FDSV1201T



12.1" Durable, High-Brightness Monitors with 800 × 600 Resolution Panel for Industrial Workstation Terminals

Durable Build

The monitors are capable of withstanding temperatures ranging from 0 - 50°C for high durability in industrial environments. In addition, the cabinets do not contain any ventilation holes and the perimeter of the control buttons are sealed, preventing dust and foreign objects from getting inside.

High-Brightness Display

The maximum brightness of 450 cd/m² for the DuraVision FDSV1201 and 350 cd/m² for the DuraVision FDSV1201T offers high visibility even in bright ambient environments.

LED Backlight

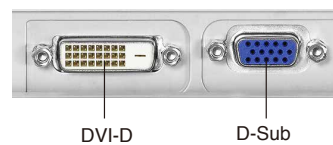
The monitors are equipped with energy-saving LED backlights that last longer and consume less power compared with conventional CCFL backlights. They are also mercury-free for minimal impact on the environment.

Flexible Positioning

The monitors can be installed facing up or down in positions from 0 - 90° for flexible placement. In addition, images can be viewed rotated at 180° using a function accessed via the monitor's front buttons for increased viewing flexibility.

Digital and Analog Inputs

Both monitors are equipped with a digital DVI-D 24 pin and analog D-Sub mini 15 pin for connecting to a PC.



Touch Panel Model

The touch model (FDSV1201T) is equipped with an analog resistive touch panel that has a minimum touch life of 10 million touches. It accepts touch input from both bare and gloved hands as well as styluses. It is also more resistant against dust and water compared to other touch technologies for high durability. Either the USB upstream or RS-232C port equipped with the touch model can be used for touch communication.

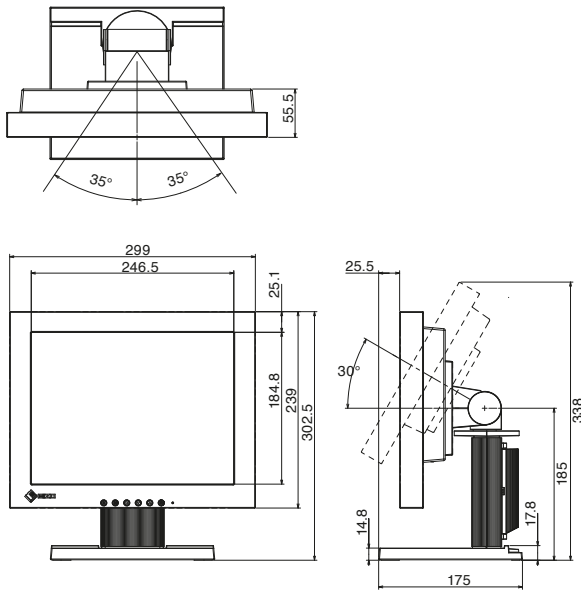
2-Year Manufacturer's Warranty

Both monitors are backed by a 2-year manufacturer's warranty for long-term reliability.

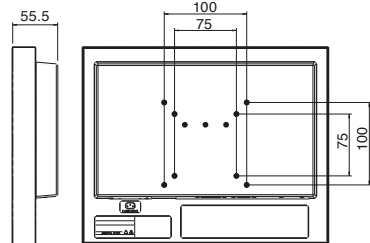
- Desktop (with tilt stand) and VESA mount versions available
- HDCP support
- Key lock support
- RoHS compliant

Dimensions (mm)

FDSV1201 / FDSV1201T



FDSV1201-F / FDSV1201T-F



SPECIFICATIONS

Models	FDSV1201	FDSV1201T
Model Variations	With Stand, Without Stand	
Cabinet Color	Gray	
Panel Type	TN	
Backlight	LED	
Size	12.1" / 31 cm (307 mm diagonal)	
Native Resolution	800 x 600 (4:3 aspect ratio)	
Viewable Image Size (H x V)	246.0 x 184.5 mm	
Pixel Pitch	0.3075 x 0.3075 mm	
Display Colors	16.2 million	
Viewing Angles (H / V, typical)	160°, 140°	
Brightness (typical)	450 cd/m ²	360 cd/m ²
Contrast Ratio (typical)	700:1	
Response Time (typical)	10 ms (Black-white-black)	
Input Terminals	DVI-D 24 pin x 1 (with HDCP), D-Sub mini 15 pin x 1	
Digital Scanning Frequency (H / V)	31 - 38 kHz, 59 - 61 kHz (VGA Text: 69 - 71 Hz)	
Analog Scanning Frequency (H / V)	24 - 49 kHz, 55 - 76 kHz	
Sync Formats	Separate	
Power Requirements	AC 100 - 120 V / 200 - 240 V, 50 / 60 Hz	
Maximum Power Consumption	12 W	
Typical Power Consumption	4 W	
Power Save Mode	0.5 W	
Standby Mode	0.5 W	
Power Management	DVI DMPM, VESA DPM	
Preset Modes	User1, User2, sRGB	
Others	Color Adjustment (Brightness, Temperature, Gamma, Gain, Reset, Color Mode), Screen Adjustment (Clock, Phase, Position, Range (Auto), Smoothing (5 stages), Signal Switching, Eco Timer, Power Indicator, Product Information (name, serial number, resolution, operating time, etc.), Reset	
Dimensions (Landscape, W x H x D)	299 x 302.5 x 175 mm	
Dimensions (Without Stand, W x H x D)	299 x 239 x 55.5 mm	
Net Weight	3.6 kg	3.8 kg
Net Weight (Without Stand)	2.0 kg	2.2 kg
Tilt / Swivel	30° Up, 0° Down / 70°	
Hole Spacing (VESA Standard)	100 x 100 mm	
Operating Temperature	0 - 50 °C	
Operating Humidity (R.H., non condensing)	20 - 90%	
Certifications & Standards	CB, CE, cTUVus, FCC-B, Canadian ICES-003-B, TUV/S, VCCI-B, C-tick, RoHS, WEEE, China RoHS	
Supplied Accessories	Signal cable (D-Sub - D-Sub), CD-ROM, setup manual	Signal cable (D-Sub - D-Sub), USB cable, CD-ROM, setup manual
Warranty	Two Years	

Touch Panel

Type	-	Analog resistive
Communication Protocol	-	USB, RS-232C
Touch Life	-	10 million touches (minimum)
Compatible OS	-	Windows 7 (64-bit, 32-bit) / Vista (32-bit) / XP(32-bit)

EIZO Corporation

153 Shimokashiwano, Hakusan, Ishikawa 924-8566 Japan

Phone +81-76-277-6792 Fax +81-76-277-6793

www.eizo.com

All product names are trademarks or registered trademarks of their respective companies. DuraVision and EIZO are registered trademarks of EIZO Corporation. Specifications are subject to change without notice.

Copyright© 2014 EIZO Corporation. All rights reserved.

Assured Systems

Assured Systems is a leading technology company with over 1,500 regular clients in 80 countries, deploying over 85,000 systems to a diverse customer base in 12 years of business. We offer high-quality and innovative rugged computing, display, networking and data collection solutions to the embedded, industrial, and digital-out-of-home market sectors.

US

sales@assured-systems.com

Sales: +1 347 719 4508
Support: +1 347 719 4508

1309 Coffeen Ave
Ste 1200
Sheridan
WY 82801
USA

EMEA

sales@assured-systems.com

Sales: +44 (0)1785 879 050
Support: +44 (0)1785 879 050

Unit A5 Douglas Park
Stone Business Park
Stone
ST15 0YJ
United Kingdom

VAT Number: 120 9546 28
Business Registration Number: 07699660