



Industrial Solutions Partner!

SSF3485-INK / SSH3485-INK V1 MaxRGB

34.8" Resizing LCD, 1000 nits LED backlight, MaxRGB, 3840 x 536 ultra-wide aspect ratio 16:2.2

The SSF/SSH3485-INK is a 34.8 inch color TFT-LCD display with special aspect ratio 16:2.2 and wide resolution 3840 x 536 with HCS (High Color Saturation). It is Litemax's Spanpixel series product which designed for high brightness 1000 nits with power efficiency LED backlight. It provides LCD panel with specific aspect ratios and sunlight readable for digital signage, public transportation, exhibition hall, department store, and vending machine.

Key Features

- Resizing LCD
- Ultra-Wide Screen (16 : 2.2)
- High Brightness 1000 nits
- Sunlight Readable
- LED Backlight
- Slim Bezel
- [High Color Saturation](#)
- BL MTBF: 100,000 hours



Specifications

Model Name	SSF3485-INK / SSH3485-INK V1 MaxRGB
Description	34.8" Resizing LCD, 1000 nits LED backlight, MaxRGB, 3840x536
Screen Size	34.8"
Display Area (mm)	878.11(H) x 120.44(V)
Brightness	1000 cd/m ²
Resolution	3840x536
Aspect Ratio	16 : 2.2
Contrast Ratio	4900 : 1
Pixel Pitch (mm)	0.2247(H) x 0.2247(V)
Pixel Per Inch (PPI)	111
Viewing Angle	178°(H), 178°(V)
Color Saturation (NTSC)	94%
Display Colors	1.07G
Response Time (Typical)	8.5ms
Panel Interface	V-by-One
AD Board Input Interface	VGA, DVI-D, HDMI, DP
AD Board Input Power	DC12V (DC24V optional)
Power Consumption	54W, (59W with AD Board)
OSD Key	5 Keys (Power Switch, Menu, +, Exit, -)
OSD Control	Brightness, Color, Contrast, Auto Turing, H/V Position...etc
Dimensions (mm)	899.4x 149.3 x 18.85
Bezel Size(U/B/L/R)	12/12/8.6/8.6 mm
Weight (Net)	2.9 kg
Operating Temperature	0 °C ~ 50 °C
Storage Temperature	-20 °C ~ 60 °C

[SSF](#) = Panel+ LED Driving Board

[SSH](#) = Panel+ LED Driving Board + AD Control Board

Specifications are subject to change without notice.

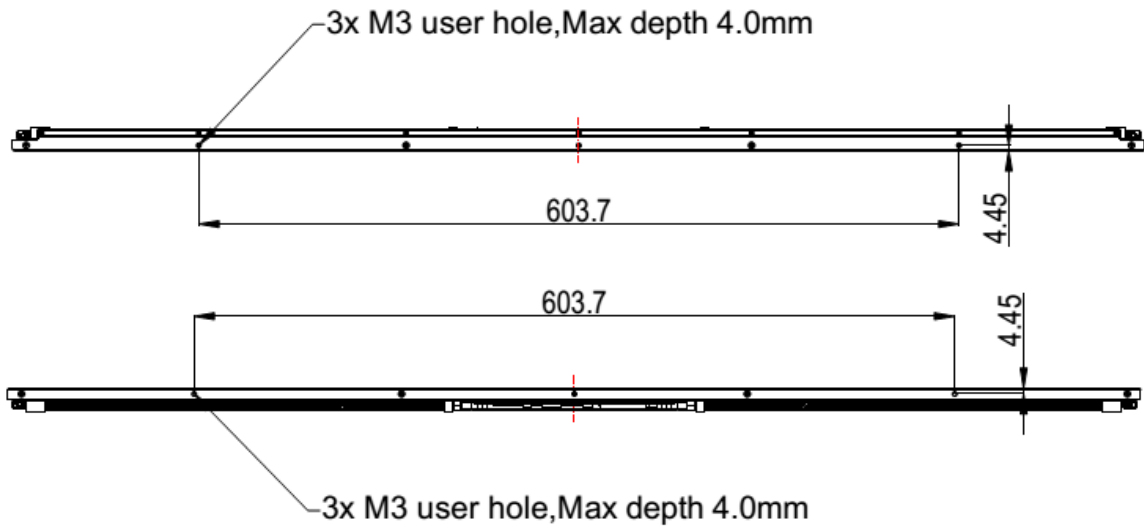
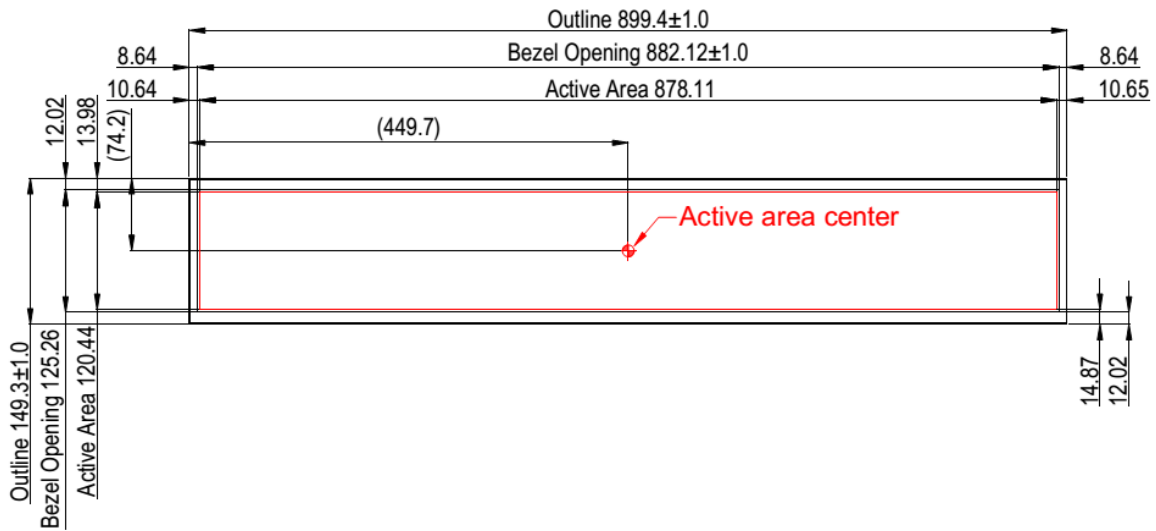
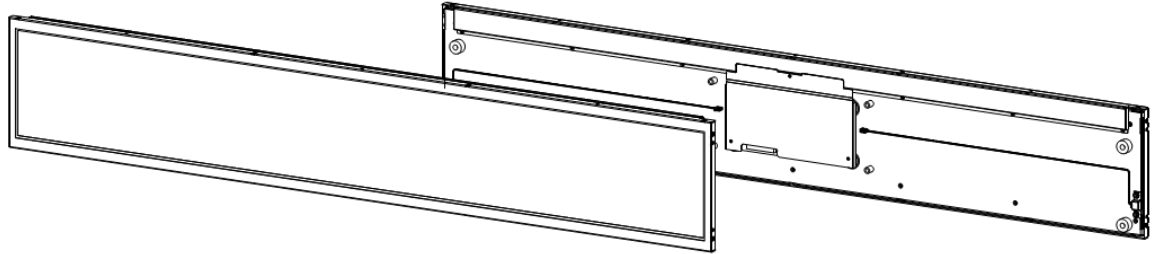
All brands or product names are trademarks or registered trademarks of their respective companies.

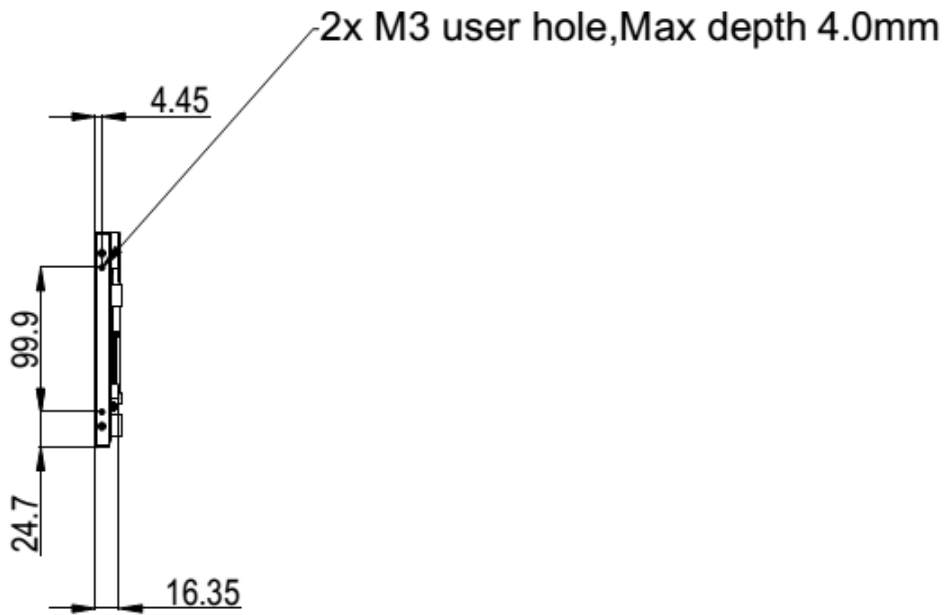
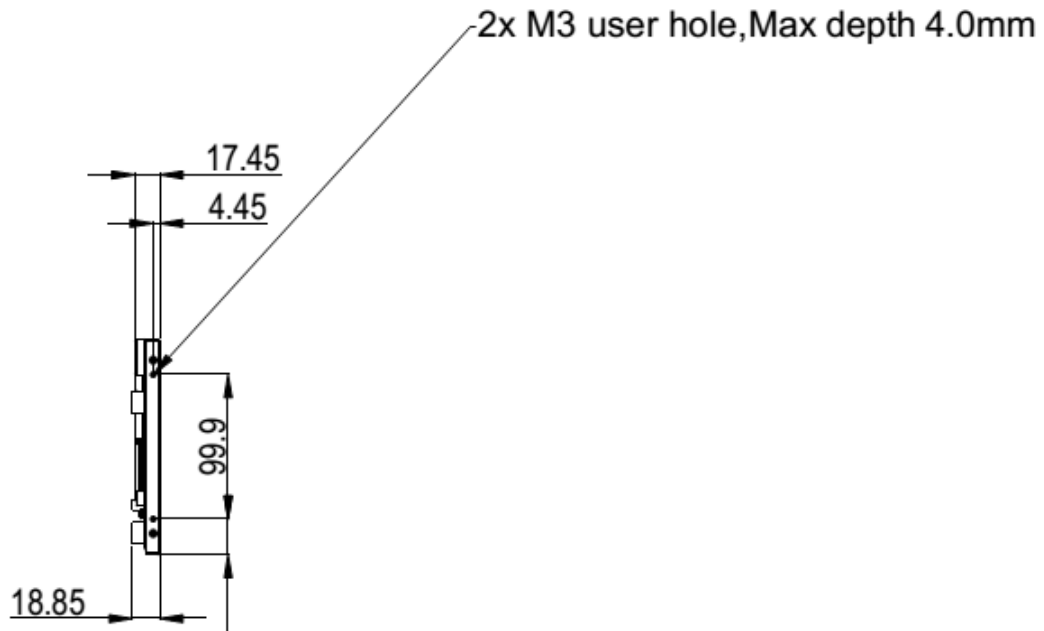


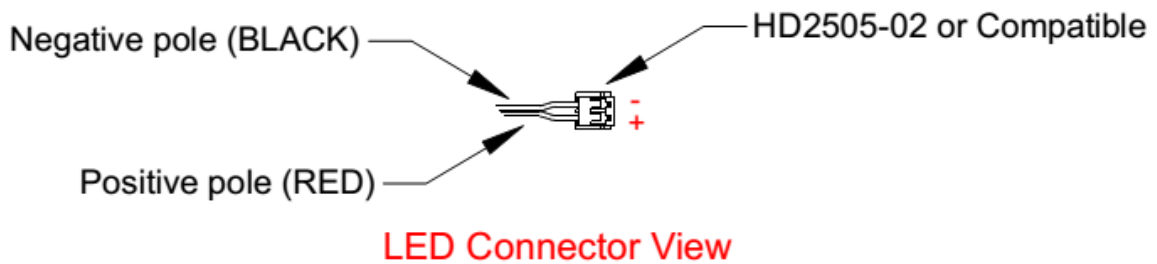
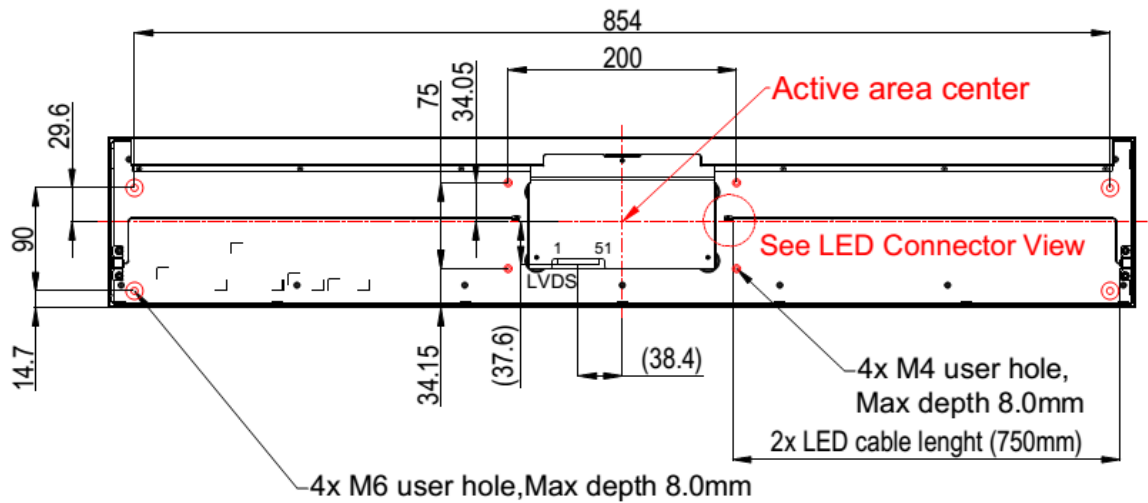
Mechanical Drawing

Outline Dimensions

Unit: mm







Note:

1. Resolution: 3840x536
2. Tolerance is ±0.5mm unless noted
3. "()"marks the reference dimensions
4. LVDS Connector Pin Assignment (187059-51221(P-TWO)or WF23-402-5133(FCN))
Matting connector : FI-RE51HL (JAE)

Ordering Information

Part Number	Description
SSF3485-INK-A01	34.8",1000nits,3840*536,MaxRGB,LID34A,3in1,V1
SSH3485-INK-M01	34.8",1000nits,3840*536,MaxRGB,LID34A,AD9131GDHP,DC12V,3in1,V1

Optional Accessories

Part Number	Description
840612051211	ADAPTER,AC/DC,12V/5.4A,64.8W,Power-Din-4P,Atech.A0605TD-120054.Efficiency-level-6,R
810618301010	CABLE.POWER.AC.1830mm USA type
810618301090	CABLE.POWER.AC.1830mm Europe type
810618301050	CABLE.POWER.AC.1830mm UK type
810618301170	CABLE.POWER.AC.1830mm Australia type
810618301031	CABLE.POWER.AC.1830mm Japan type

By Customer Request

Glass	Tempered glass, AR coating,.....
-------	----------------------------------

Assured Systems

Assured Systems is a leading technology company with over 1,500 regular clients in 80 countries, deploying over 85,000 systems to a diverse customer base in 12 years of business. We offer high-quality and innovative rugged computing, display, networking and data collection solutions to the embedded, industrial, and digital-out-of-home market sectors.

US

sales@assured-systems.com

Sales: +1 347 719 4508
Support: +1 347 719 4508

1309 Coffeen Ave
Ste 1200
Sheridan
WY 82801
USA

EMEA

sales@assured-systems.com

Sales: +44 (0)1785 879 050
Support: +44 (0)1785 879 050

Unit A5 Douglas Park
Stone Business Park
Stone
ST15 0YJ
United Kingdom

VAT Number: 120 9546 28
Business Registration Number: 07699660