

SINTRONES

Display Computing

VDM-286RS-AC

28.6" Resized Passenger Information Display



- 1920 x 540 Resolution
- Anti-Glare Surface Treatment (Haze 28%)
- Side / Bottom I/O Design for Slim Wall Mounted
- Landscape / Portrait Mounting
- Reliable 24/7 Operation
- 700 nits High Brightness
- Reliable Passenger Information Display Solution for Public Transportation Terminals

Specifications

Display

- Size**
- 28.6 inches
- Ratio**
- 32 : 9
- Maximum Resolution**
- 1920 x 540
- Active Area**
- 698.4 (H) x 196.4 (V) mm
- Brightness (Typical)**
- 700 nits
- Contrast Ratio (Typical)**
- 4000 : 1
- Viewing Angle**
- 89/89/89/89 Degree

Power

- Power Input**
- AC 100 - 240V, 50-60Hz

Environmental

- Operating Temp.**
- -20 ~ 60°C
- Storage Temp.**
- -20 ~ 60°C
- Relative Humidity**
- 10% RH – 90% RH (non-condensing)

Certification and Standards

- CE
- FCC

I/O

- Video**
- 2 x HDMI® Input, 1 x DP, 1 x HDMI® Output
- Audio**
- 1 x 3.5mm Audio Output
- Others**
- 1 x RS-232 TX (RJ45)
 - 1 x RS-232 RX (RJ45) for Display Control
 - 1 x USB Type A for USB Flash Disk

Mechanical

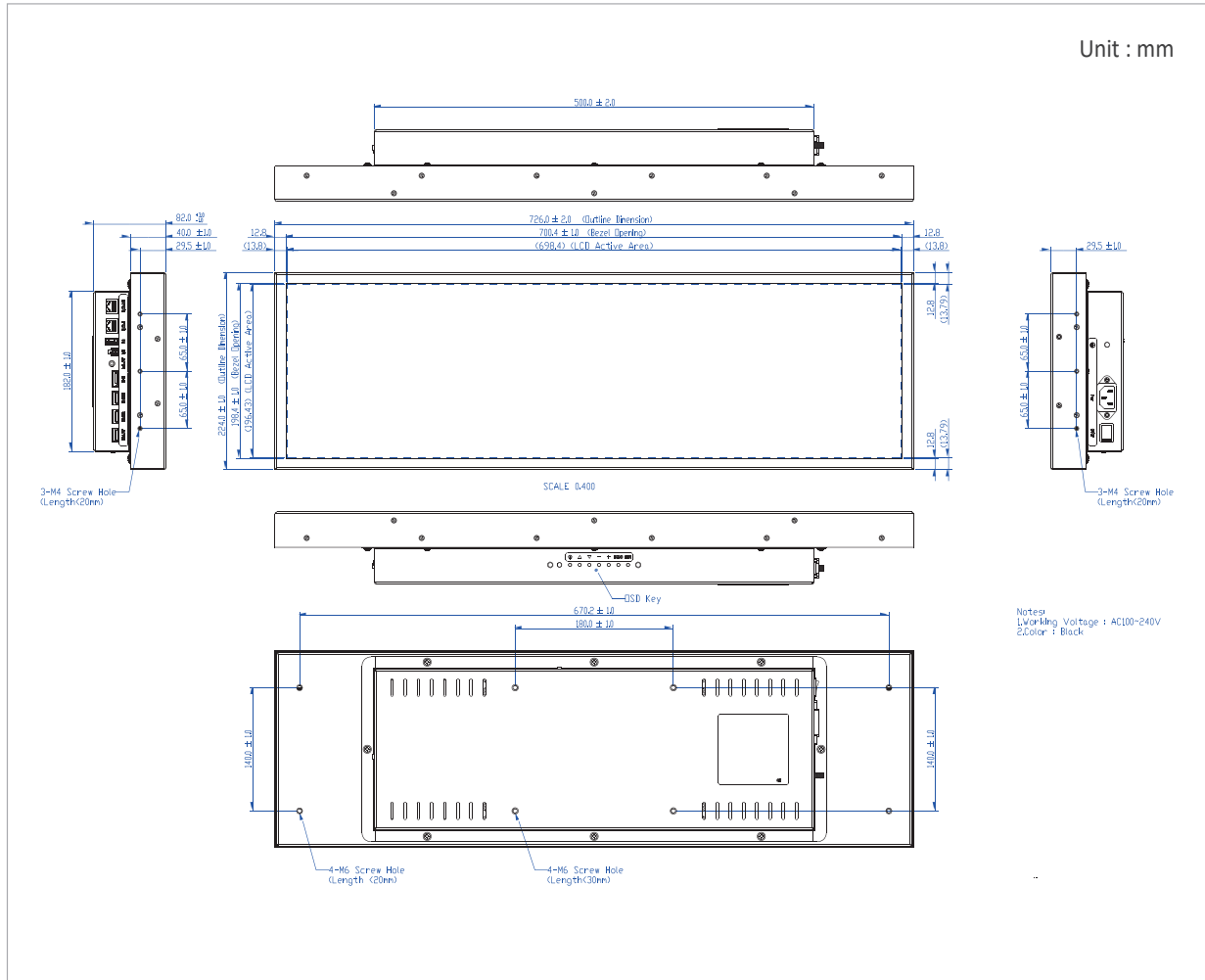
- Construction**
- Metal Alloy
- Mounting**
- 180 x 140 mm, M6
- Weight**
- 7.9 Kg
- Dimensions**
- 726 (L) x 224 (W) x 82 (H) mm

Ordering Information

Model Number	VDM-286RS-AC
Description	28.6" Resized Passenger Information Display
State of Origin	Made in Taiwan

All specifications are subject to change without notice.

Dimensions



Assured Systems

Assured Systems is a leading technology company with over 1,500 regular clients in 80 countries, deploying over 85,000 systems to a diverse customer base in 12 years of business. We offer high-quality and innovative rugged computing, display, networking and data collection solutions to the embedded, industrial, and digital-out-of-home market sectors.

US

sales@assured-systems.com

Sales: +1 347 719 4508
Support: +1 347 719 4508

1309 Coffeen Ave
Ste 1200
Sheridan
WY 82801
USA

EMEA

sales@assured-systems.com

Sales: +44 (0)1785 879 050
Support: +44 (0)1785 879 050

Unit A5 Douglas Park
Stone Business Park
Stone
ST15 0YJ
United Kingdom

VAT Number: 120 9546 28
Business Registration Number: 07699660