



Industrial Solutions Partner!

**SSF/SSH0635-T V1**

**6.22" TFT LCD, 1000 nits LED Backlight , 1024x250 ultra-wide aspect ratio 16:4**

The SSF/SSH0635-T is a 6.22 inch color TFT-LCD display with special aspect ratio 16:4 and wide resolution 1024 x 250. It is LiteMAX's Spanpixel series product which designed for high brightness with power efficiency LED backlight. It provides LCD panel with specific aspect ratios and sunlight readable for digital signage, public transportation, exhibition hall, department store, and vending machine.

**Key Features**

- Resizing LCD
- Ultra Wide Screen (16 : 4)
- LED Backlight
- Brightness 1000 nits
- Low Power Consumption
- High Uniformity

待補

**Specifications**

<b>Model Name</b>	<b>SSF/SSH0635-T V1</b>
<b>Description</b>	6.22" TFT LCD, 1000 nits LED backlight,1024x250
<b>Screen Size</b>	6.22"
<b>Display Area (mm)</b>	153.6 x 37.5 mm
<b>Brightness</b>	1000 cd/m <sup>2</sup>
<b>Resolution</b>	1024x250
<b>Aspect Ratio</b>	16 : 4
<b>Contrast Ratio</b>	800 : 1
<b>Pixel Pitch (mm)</b>	0.150(H) x 0.150(V)
<b>Pixel Pre Inch (PPI)</b>	169
<b>Viewing Angle</b>	150°(H),145°(V)
<b>Color Saturation (NTSC)</b>	54%
<b>Display Colors</b>	16.7M
<b>Response Time (Typical)</b>	20ms
<b>Panel Interface</b>	LVDS
<b>Input Interface</b>	VGA,DVI,HDMI
<b>Input Power</b>	DC 12V
<b>Power Consumption</b>	1.6W, (3.2W with AD board)
<b>OSD Key</b>	4 Keys (Power Switch, Menu, +, -)
<b>OSD Control</b>	Brightness, Color, Contrast, Auto Turing, H/V Position...etc
<b>Dimensions (mm)</b>	165.75(H) x 55(V) x 3.85(T)
<b>Bezel Size(U/B/L/R)</b>	11/6.5/7.23/4.92 mm
<b>Weight (Net)</b>	0.09kg
<b>Operating Temperature</b>	0 °C ~ 50 °C
<b>Storage Temperature</b>	-20 °C ~ 60 °C

SSF= Panel + LED Driving Board

SSH= Panel + LED Driving Board + AD Control Board

Specifications are subject to change without notice.  
All brands or product names are trademarks or registered trademarks of their respective companies.

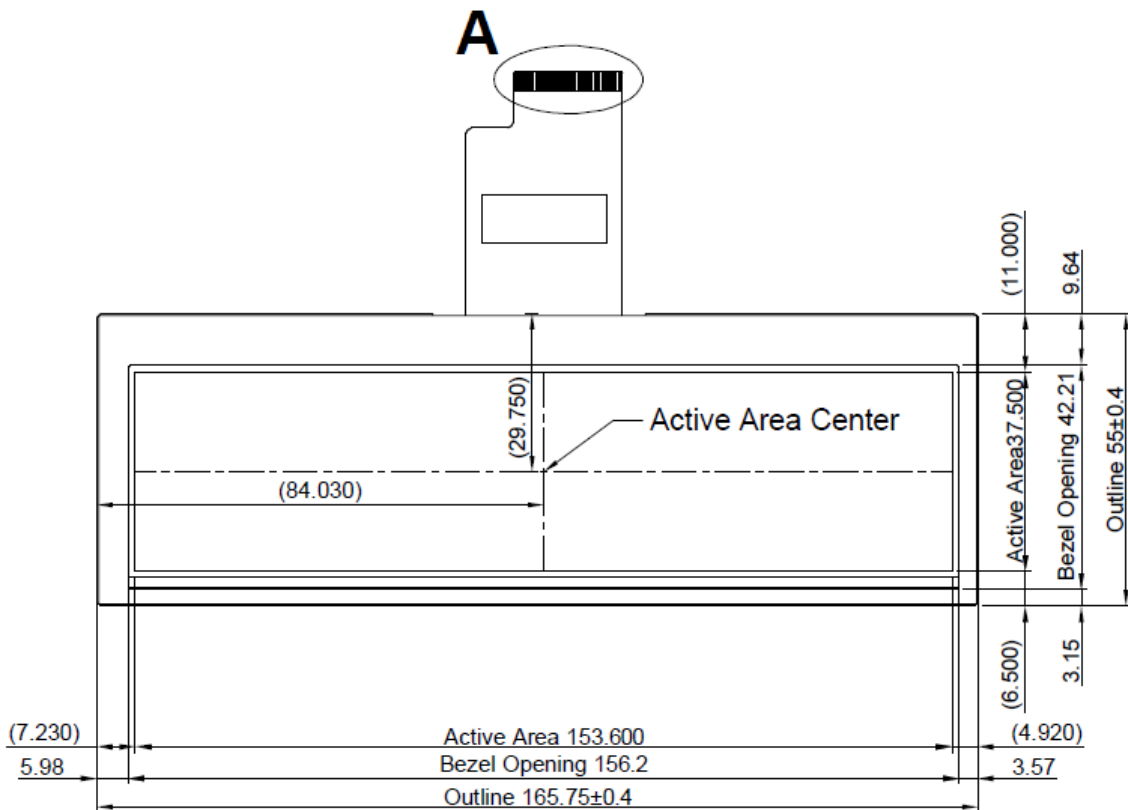
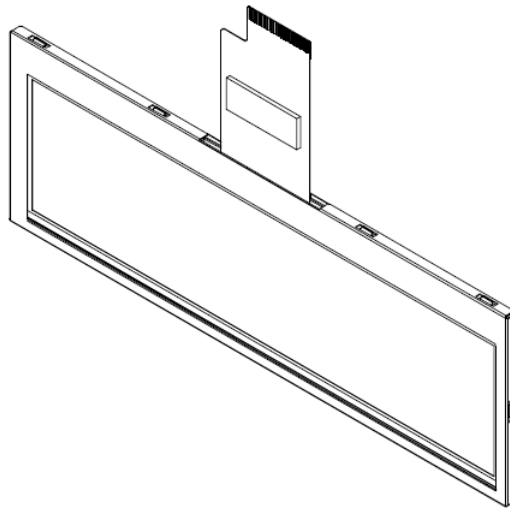


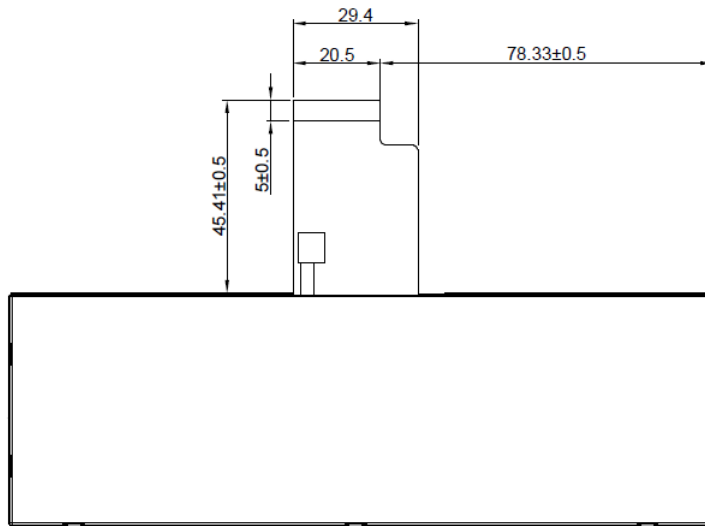
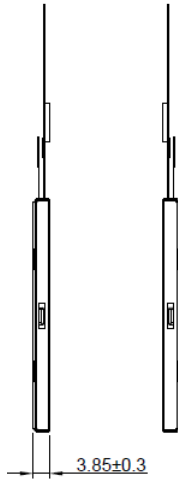
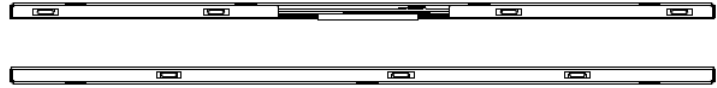
Industrial Solutions Partner!

**Mechanical Drawing**

**Outline Dimensions**

Unit:mm





- Note:
1. Tolerance is  $\pm 0.3$ mm unless noted.
  2. Connector suggest to be FH12A-40S-0.5SH.
  3. Bending radius of FPC should be larger than 1.0mm.
  4. "( )"marks the reference dimensions.



Industrial Solutions Partner!

### Ordering Information

Part Number	Description
SSF0635-TNN-A11	6.22",1000nits,1024x250,LID on LCM,10in1,V1
SSH0635-TNN-Q11	6.22",1000nits,1024x250,LID on LCM,AD8891G-DH,DC12V,10in1,V1

### Optional Accessories

Part Number	Description
840612051212	ADAPTER,AC/DC,12V/5A,60W,Power-Din-4P,CWT,G99-ABF060F-N022,Efficiency-level-6,R
810618301010	CABLE,POWER,AC,1830mm USA type
810618301090	CABLE,POWER,AC,1830mm Europe type
810618301050	CABLE,POWER,AC,1830mm UK type
810618301170	CABLE,POWER,AC,1830mm Australia type
810618301031	CABLE,POWER,AC,1830mm Japan type

### Customer request

Touch	SCT (Single-Touch), PCT (Multi-Touch)
Glass	Tempered glass, AR coating.....

## Assured Systems

Assured Systems is a leading technology company with over 1,500 regular clients in 80 countries, deploying over 85,000 systems to a diverse customer base in 12 years of business. We offer high-quality and innovative rugged computing, display, networking and data collection solutions to the embedded, industrial, and digital-out-of-home market sectors.

### US

[sales@assured-systems.com](mailto:sales@assured-systems.com)

Sales: +1 347 719 4508  
Support: +1 347 719 4508

1309 Coffeen Ave  
Ste 1200  
Sheridan  
WY 82801  
USA

### EMEA

[sales@assured-systems.com](mailto:sales@assured-systems.com)

Sales: +44 (0)1785 879 050  
Support: +44 (0)1785 879 050

Unit A5 Douglas Park  
Stone Business Park  
Stone  
ST15 0YJ  
United Kingdom

VAT Number: 120 9546 28  
Business Registration Number: 07699660