



Industrial Solutions Partner!

SSD2945-E V2

29.3" Resizing LCD, 1000 nits LED backlight, 1920x710 ultra wide aspect ratio 16:6

SSD2945-E V2 is an innovative ultra-wide, sunlight readable, LED backlight LCD display. It provides LCD panel with specific ratios for digital signage, public transportation, exhibition hall, department store, vending machine and industrial applications. Incorporating with A.D. control board and backlight design, it is high brightness and sunlight readable panel, can display high-quality video with energy-efficient.

Key Features

- Resizing LCD
- Ultra Wide Screen (16 : 6)
- LED Backlight
- High Brightness 1,000 nits
- Low Power Consumption
- Wide Dimming
- Life Expectancy (70,000hrs)



Specifications

V1

Model No.	SSD2945-E V2
Description	29.3" Resizing LCD, 1000 nits LED backlight
Display Area	698.4*258.2 mm
Brightness	1000 cd/m ²
Resolution	1920 x 710
Aspect Ratio	16 : 6
Contrast Ratio	3000:1
Pixel Pitch (mm)	0.3637 x 0.3637
Pixel Pre Inch (PPI)	69.7
Viewing Angle	178°(H), 178°(V)
Display Colors	16.7M
Response Time (Typical)	8 ms
Sync	LVDS
Power Consumption	53 W
Dimensions (mm)	740.6 x 306.7 x 63.7
Weight (Net)	8.6 kg
LED Driving Board	LID29A
Control Board (Optional)	AD2662GD / AD2662GDVAR / AD2662GDHMVAR
<input type="checkbox"/> AD2662GD	VGA + DVI
<input type="checkbox"/> AD2662GDVAR	VGA + DVI (Optional AV/ S-Video / Component / Audio)
<input type="checkbox"/> AD2662GDHMVAR	VGA + DVI + HDMI (Optional AV/ S-Video / Component / Audio)
<input type="checkbox"/> Others	
F / R Control Button	5 Key / 4 Key
<input type="checkbox"/> 4 Key	Power Switch, Menu, Select (+,-),
<input type="checkbox"/> 5 Key	Power Switch, Menu, Select (+,-),Auto
OSD Menu	Brightness, Contrast, H/V Position, Color, Phase, Clock...
Optional	<input type="checkbox"/> Touch Screen

Specifications are subject to change without notice.

All brands or product names are trademarks or registered trademarks of their respective companies.

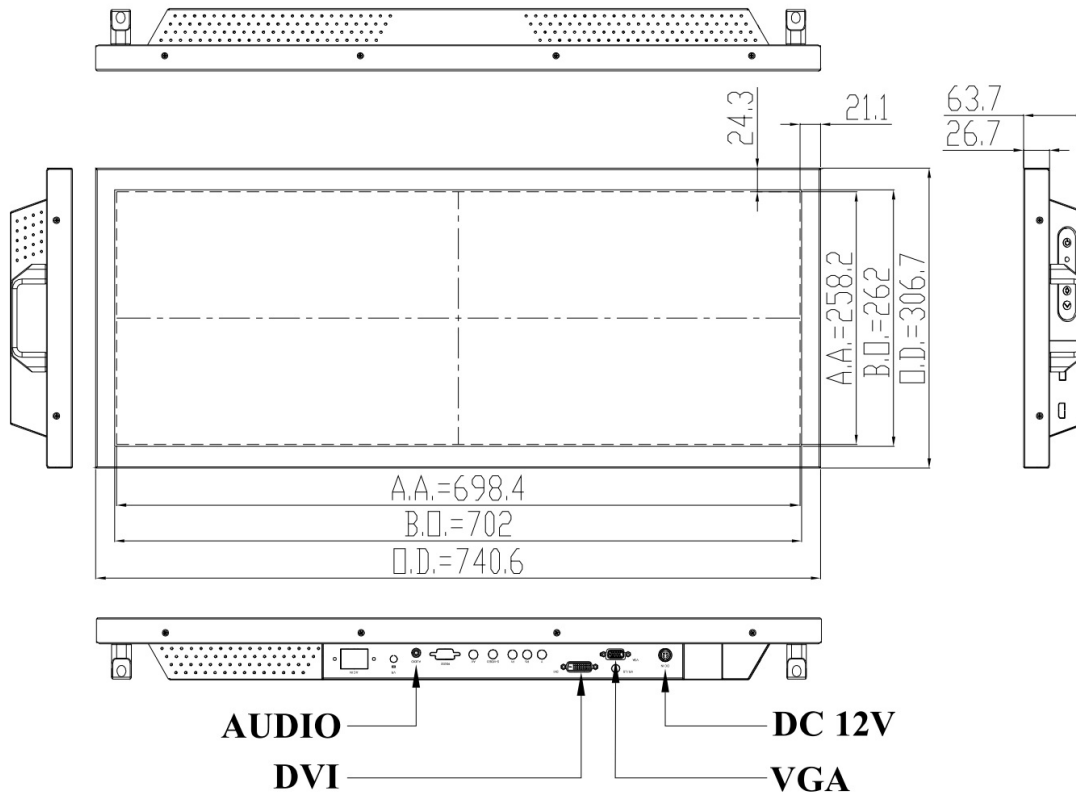
SSD= Panel+ LED Driving Board + Control Board



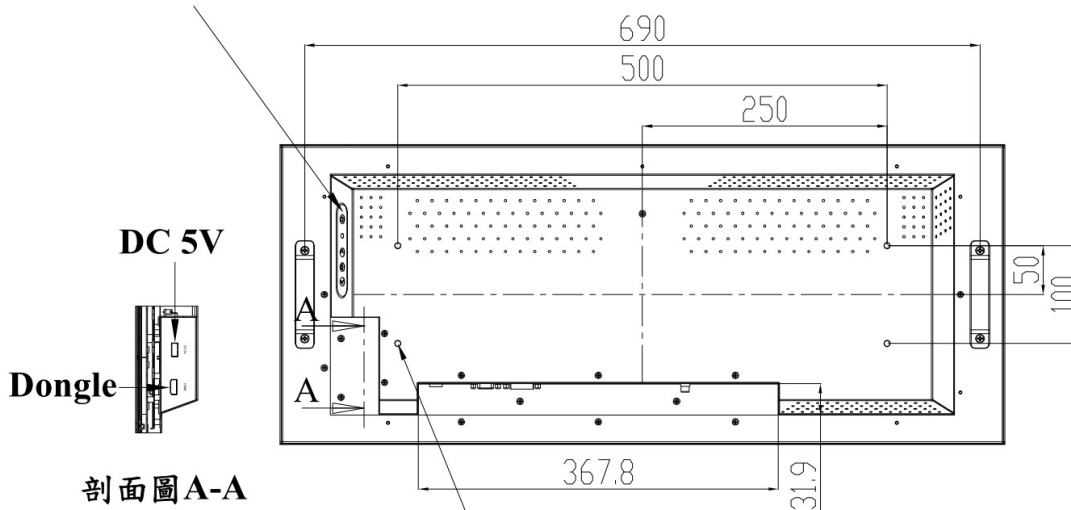
Industrial Solutions Partner!

Mechanical Drawing

Outline Dimensions



MEMBRANE 4-KEY



4-M6 SCREW
Max Depth = 10 mm



Industrial Solutions Partner!

Ordering Information

Model Name	Description
SSD2945-ENB-G11	29.3",1000nits,1920*710,LID29A.AD2662GDHM,USB+HDMI board,O/B,DC 12V ,V02

Optional Accessories

Part Number	Description
840612051210 (Optional)	ADAPTER,AC/DC,12V/5.4A,65W,Atech OEM A065112-TDx.4P SLIDING CAP,P
810618301010 (Optional)	CABLE.POWER.AC.1830mm.(US Type).3PIN PLUG TO SOCKET.SVT(SPT-2)18AWG 3C BLACK,P.
810618301090 (Optional)	CABLE,POWER,AC,1830mm.(EU Type) 3PIN PLUG TO.SOCKET,H05VV-F 3G.0.75MMSQ BLACK,P
810618301050 (Optional)	CABLE,POWER,AC,1830mm.UK(FUSE) 3PIN PLUG TO.SOCKET,H05VV-F 3C(3G) 0.75MMSQ BLACK,P
810618301170 (Optional)	CABLE.POWER,AC,1830mm. (AU Type) 3PIN PLUG TO 2P SOCKET.LTSA 0.75MMSQ BLACK,P
810618301031 (Optional)	CABLE.POWER.AC.1830mm.(JP Type).2PIN PLUG Y TERMINAL TO. SOCKET.VCTF 3C 0.75MMSQ BLACK,P

Assured Systems

Assured Systems is a leading technology company with over 1,500 regular clients in 80 countries, deploying over 85,000 systems to a diverse customer base in 12 years of business. We offer high-quality and innovative rugged computing, display, networking and data collection solutions to the embedded, industrial, and digital-out-of-home market sectors.

US

sales@assured-systems.com

Sales: +1 347 719 4508
Support: +1 347 719 4508

1309 Coffeen Ave
Ste 1200
Sheridan
WY 82801
USA

EMEA

sales@assured-systems.com

Sales: +44 (0)1785 879 050
Support: +44 (0)1785 879 050

Unit A5 Douglas Park
Stone Business Park
Stone
ST15 0YJ
United Kingdom

VAT Number: 120 9546 28
Business Registration Number: 07699660