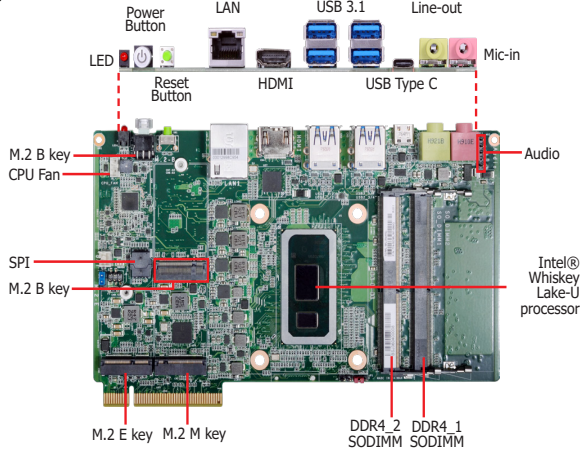




**8th Gen Intel® Core™ Processor
Intel® Smart Display Module**



SDML-WL

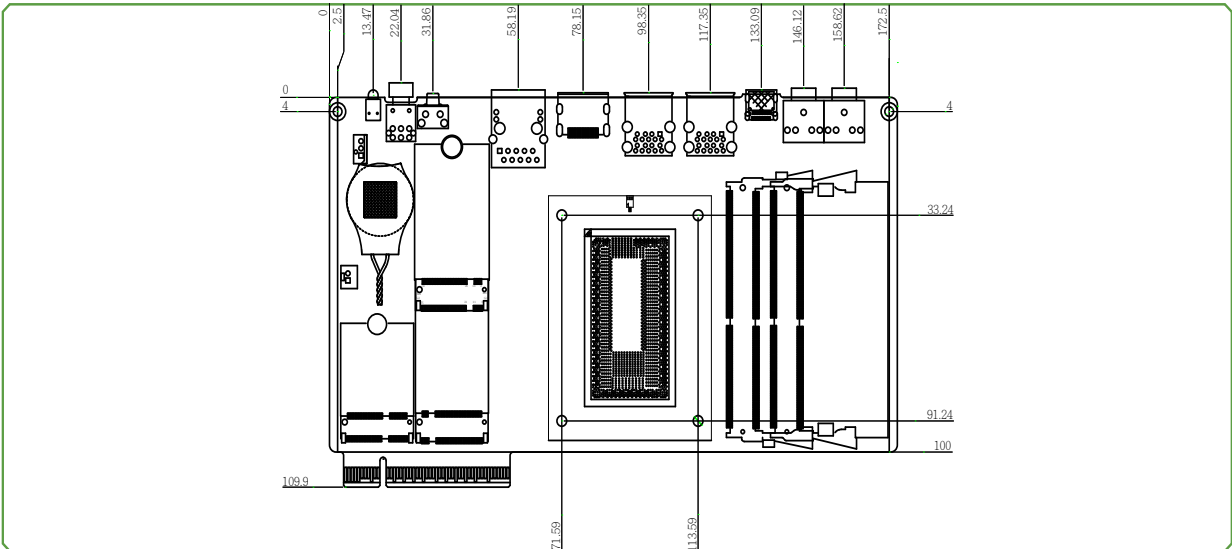


Features

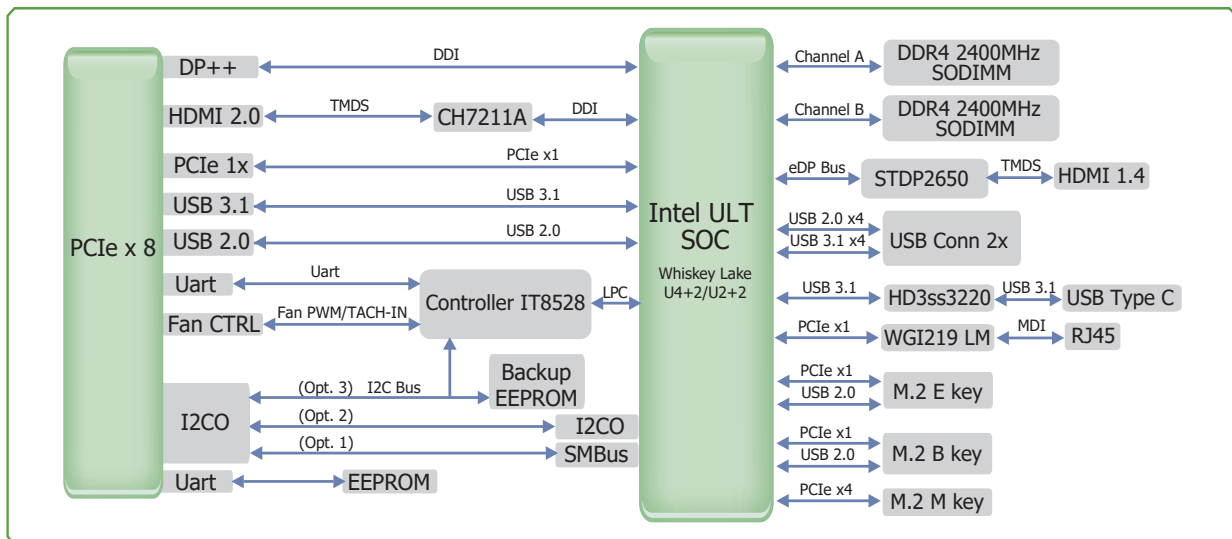
- 2 DDR4 2400MHz SODIMM up to 32G
- 2 HDMI resolution up to 4096 x 2160 @ 60Hz
DP++ (golden finger) resolution up to 4096 x 2304 @ 60Hz
- Multiple expansion: 1 M.2 E Key, 1 M.2 M Key, 1 M.2 B Key
- Rich I/O: 1 Intel GbE, 4 USB3.1, 1 USB3.1 Type C



Mechanical Drawing



Block Diagram





Specifications

SYSTEM	Processor	8th Gen Intel® Core™ Processor, FCBGA1528 Intel® Core™ i7-8665UE Processor, Quad Core, 8M Cache, 1.7GHz (4.4GHz), 15W Intel® Core™ i5-8365UE Processor, Quad Core, 6M Cache, 1.6GHz (4.1GHz), 15W Intel® Core™ i3-8145UE Processor, Dual Core, 4M Cache, 2.1GHz (3.9GHz), 15W Intel® Celeron® Processor 4305UE, Dual Core, 2M Cache, 2.20 GHz, 15W	
	Memory	2 x DDR4 2400MHz SODIMM up to 32 GB Dual Channel	
	BIOS	Insyde SPI 128Mbit	
GRAPHICS	Controller	Intel® UHD Graphics 620	
	Dual Displays	1 x DisplayPort 1.2 via PCIe x8 gold finger 1 x HDMI 2.0 to PCIe x8 gold finger 1 x HDMI 1.4 to rear I/O	HDMI: resolution up to 4096x2160 @ 30 Hz DP++: resolution up to 4096x2304 @ 60Hz
EXPANSION	Interface	1 x 2230 E Key, PCIe x1 interface	1 x 2242 B Key / 1 x 2280 M Key
AUDIO	Audio Codec	Realtek ALC262-VC2-GR	
ETHERNET	Controller	1 x Intel® I219LM (10/100/1000Mbps) (Core™ i5 and i7 support vPro function)	
REAR I/O	Ethernet	1 x GbE (RJ-45)	
	USB	4 x USB 3.1 Gen 2 Type A	1 x USB 3.1 Gen 2 Type C
	Display	1 x HDMI 1.4	
	Audio	1 x Line-out	1 x Mic-in
SDM GOLDEN FINGER	Serial	1 X UART	
	USB	1 x USB 3.1	1 x USB 2.0
	Display	1 x DP 1.2	1 x HDMI 2.0
	SMBus	2 x I2C	
WATCHDOG TIMER	Output & Interval	System Reset, Programmable via Software from 1 to 255 Seconds	
POWER	Type	Single 12V DC	
	Connector	Power button	
	RTC Battery	CR2032 Coin Cell	
OS SUPPORT	Microsoft/Linux	Windows 10 IoT Enterprise 64-bit	Yocto kernel 4.19
ENVIRONMENT	Temperature	Operating: 0 to 60°C	Storage: -40 to 85°C
	Humidity	Operating: 5 to 90% RH	
	MTBF	TBD	
MECHANICAL	Dimensions	175mm (6.9") x 100mm (3.9")	
	Height	PCB: 1.6mm	Top Side: Max 20mm

Assured Systems

Assured Systems is a leading technology company with over 1,500 regular clients in 80 countries, deploying over 85,000 systems to a diverse customer base in 12 years of business. We offer high-quality and innovative rugged computing, display, networking and data collection solutions to the embedded, industrial, and digital-out-of-home market sectors.

US

sales@assured-systems.com

Sales: +1 347 719 4508

Support: +1 347 719 4508

1309 Coffeen Ave
Ste 1200
Sheridan
WY 82801
USA

EMEA

sales@assured-systems.com

Sales: +44 (0)1785 879 050

Support: +44 (0)1785 879 050

Unit A5 Douglas Park
Stone Business Park
Stone
ST15 0YJ
United Kingdom

VAT Number: 120 9546 28

Business Registration Number: 07699660