



**Intel Atom® Processor E3800 Series
In-Vehicle Fanless System**



VC230-BT

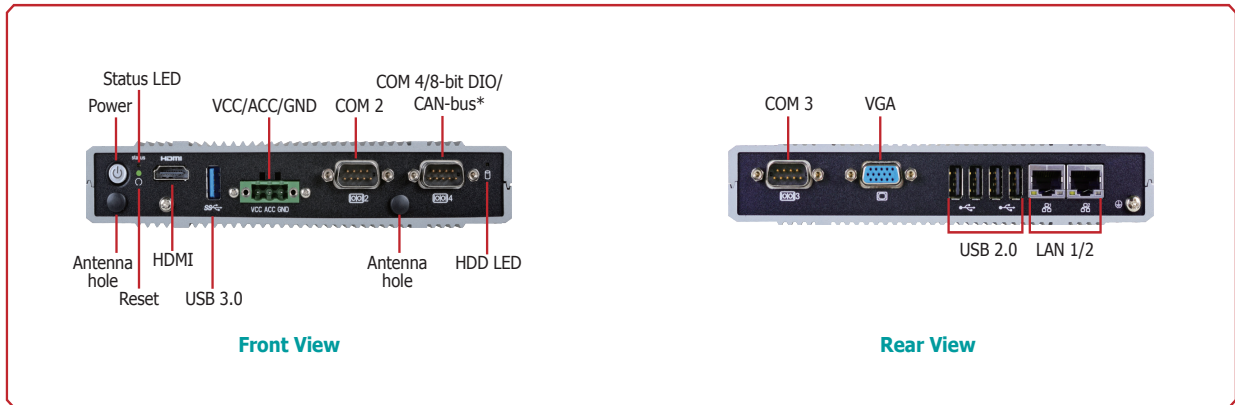


► Features

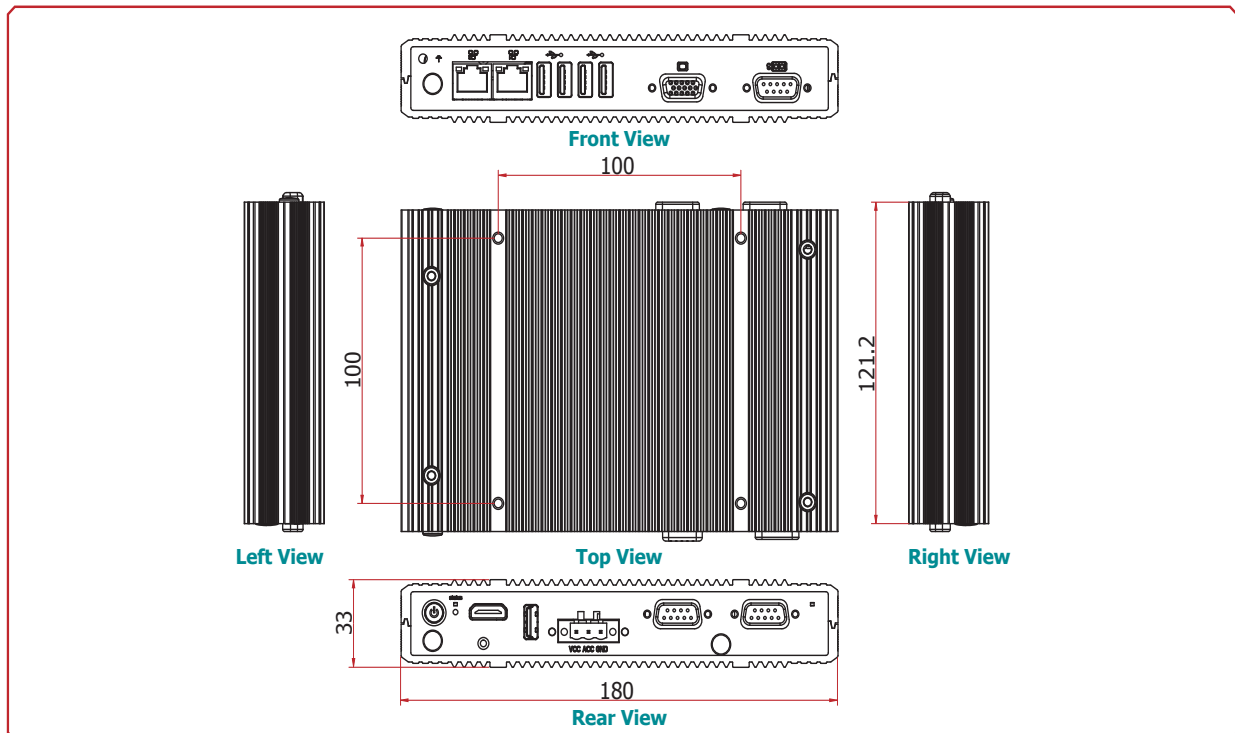
- Anti-vibration and fanless In-Vehicle computer
- Supports ignition delay on/off function
- 1 mSATA, eMMC (optional), microSD (optional)
- Supports Wi-Fi, 3G, and GPRS application



► Panel



► Dimensions





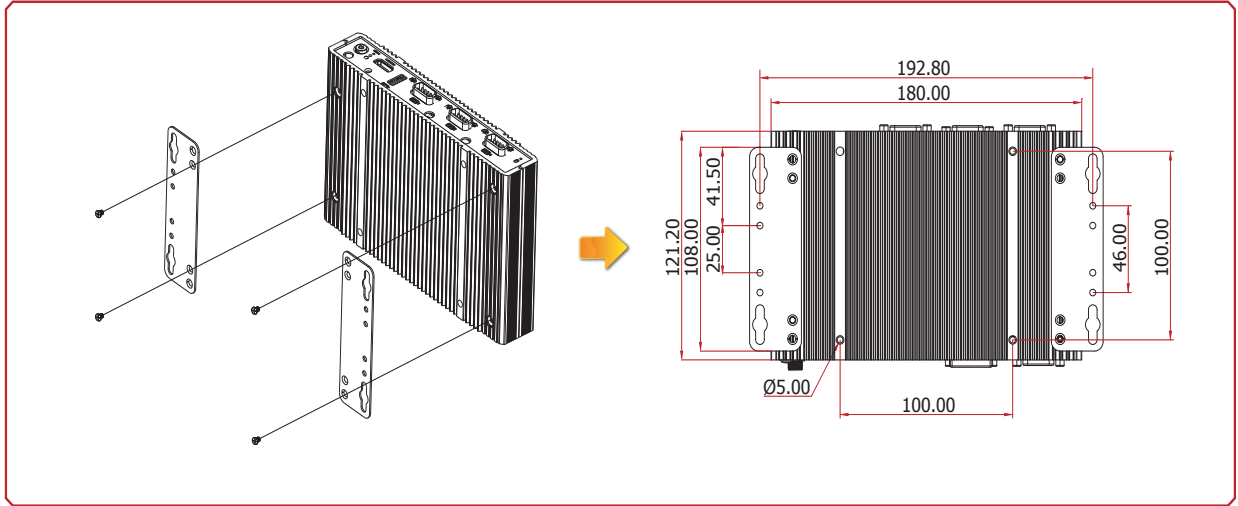
Specifications

SYSTEM	Processor	Intel Atom® Processor E3800 Series, BGA 1170 Intel Atom® E3845, Quad Core, 2M Cache, 1.91GHz, 10W Intel Atom® E3825, Dual Core, 1M Cache, 1.33GHz, 6W
	Memory	4GB/2GB ECC Memory Onboard Single Channel DDR3L 1333MHz (-E45) Single Channel DDR3L 1066MHz (-E25)
	BIOS	AMI SPI 64Mbit
GRAPHICS	Controller	Intel® HD Graphics
	Display	1 x VGA 1 x HDMI HDMI: resolution up to 1920x1080 @ 60Hz VGA: 24-bit, resolution up to 2560x1600 @ 60Hz
	Dual Displays	VGA + HDMI
STORAGE	External/Internal	4GB/8GB/16GB/32GB eMMC Onboard (available upon request)
EXPANSION	Interface	1 x Full-size Mini PCIe (PCIe/USB/3G/GPRS/CAN-Bus) 1 x Full-size Mini PCIe (SATA) 1 x Half-size Mini PCIe (PCIe/USB/LPC) 1 x SIM 1 x microSD (available upon request)
	ETHERNET	Controller 2 x Intel® I210AT PCIe (10/100/1000Mbps)
LED	Indicators	1 x Status LED 1 x HDD LED
FRONT I/O	Serial	2 x RS-232/422/485 (DB-9) (one supports 8-bit DIO or CAN-Bus)
	USB	1 x USB 3.0 (type A)
	Display	1 x HDMI
	Buttons	1 x Power Button 1 x Reset Button
	Wi-Fi Antennas	2 x Wi-Fi Module Antenna Hole
REAR I/O	Ethernet	2 x GbE (RJ-45)
	Serial	1 x RS-232/422/485 (DB-9)
	USB	4 x USB 2.0 (type A)
	Display	1 x VGA
	Audio	1 x Line-out (available upon request)
	Wi-Fi Antennas	1 x Wi-Fi Module Antenna Hole
WATCHDOG TIMER	Output & Interval	System Reset, Programmable via Software from 1 to 255 Seconds
POWER	Type	Wide Range 9~36V In-Vehicle Power Management Includes Ignition On/Off and System On/Off Delay Time Control
	Connector	3-pin Terminal Block (VCC/ACC/GND)
OS SUPPORT		Windows 7, WES 7, Windows 8, WES 8, Windows 8.1 Linux (Distribution available upon request) Note: Windows 10 will be available upon request. Please contact DFI for more information.
MECHANISM	Construction	Aluminum + Metal Aluminum
	Mounting	Wall/VESA/DIN Rail Mount (available upon request)
	Dimensions (W x H x D)	180mm x 33mm x 121.2mm (W x H x D)
	Weight	800g
ENVIRONMENT	Operating Temperature	-20 to 60°C
	Storage Temperature	-40 to 85°C
STANDARDS AND CERTIFICATIONS	Shock	Half Sine Wave 15G, 11ms, 3 Shock Per Axis
	Vibration	MIL-STD 810G 514.6C-2
	Certifications	Compliant by ISO 7637-2

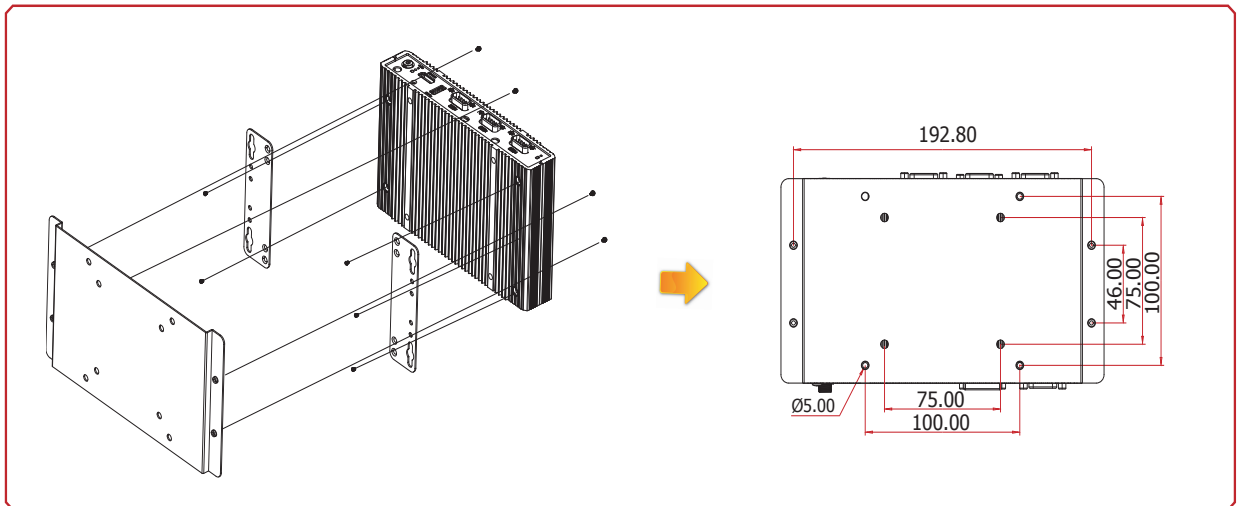


VC230-BT

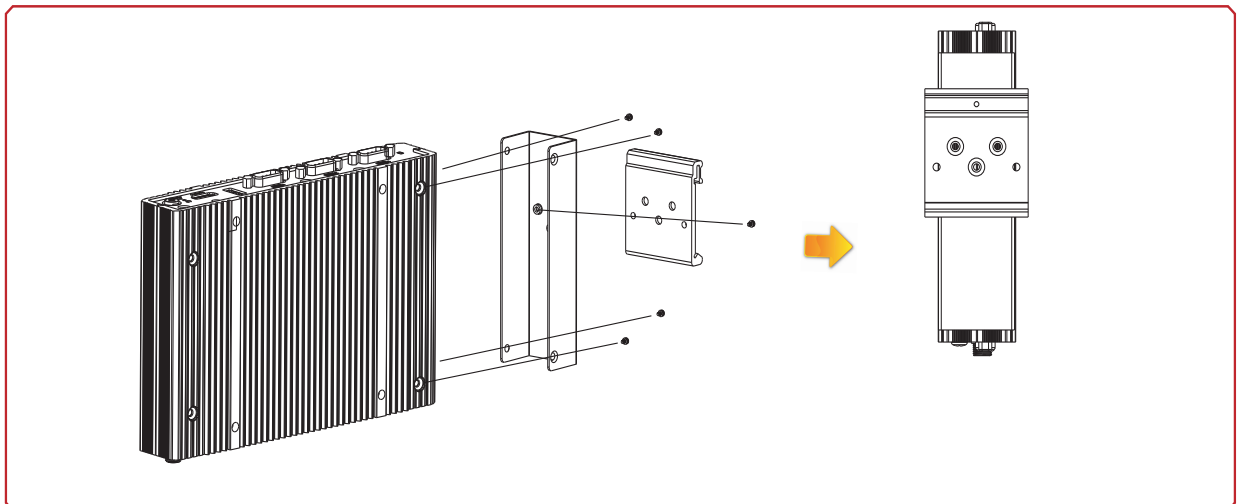
► **Wall Mounting**



► **VESA Mounting**



► **DIN Rail Mounting**





► **Ordering Information**

Model Name	Part Number	Description
VC230-BT3051-252	750-EC7000-E00G	Fanless, Intel Atom E3825, 2 LAN, 1 HDMI, 1 VGA, 3 COM, 5 USB, 2GB DDR3L memory down, RoHS
VC230-BT3051-454	750-EC7000-F00G	Fanless, Intel Atom E3845, 2 LAN, 1 HDMI, 1 VGA, 3 COM, 5 USB, 4GB DDR3L memory down, RoHS

► **Optional Items**

Optional Items	Part Number	Description
mSATA	785-MS64GMF	mSATA Card, 64GB MLC, RoHS
	785-MS32GMF	mSATA Card, 32GB MLC, RoHS
	785-MS16GMF	mSATA Card, 16GB MLC, RoHS
	785-MS08GMF	mSATA Card, 8GB MLC, RoHS
Wi-Fi	761-110091-000G	Wi-Fi kit, RoHS
Power Cord	785-PWRD	Power cord, Standards (USA/EUR/CH), 1.8m, RoHS
Power Adapter	671-106002-102G	60W, 12V/5A
	671-106009-000G	60W, 19V/3.15A
Wall Mount	761-EC7000-000G	VC230-BT Wall Mount Kit, RoHS
VESA Mount	761-EC7000-100G	VC230-BT VESA Mount Kit, RoHS

785-XXX is a group number instead of a unique part number. Please contact your regional sales representative if you need more information.

► **Packing List**

• 1 VC230-BT system unit
• 6 mounting screws for Mini PCIe module
• 1 3-pole female terminal block
• 1 Quick Installation Guide
• 1 CD disk includes:
- Drivers / Manual

Assured Systems

Assured Systems is a leading technology company with over 1,500 regular clients in 80 countries, deploying over 85,000 systems to a diverse customer base in 12 years of business. We offer high-quality and innovative rugged computing, display, networking and data collection solutions to the embedded, industrial, and digital-out-of-home market sectors.

US

sales@assured-systems.com

Sales: +1 347 719 4508
Support: +1 347 719 4508

1309 Coffeen Ave
Ste 1200
Sheridan
WY 82801
USA

EMEA

sales@assured-systems.com

Sales: +44 (0)1785 879 050
Support: +44 (0)1785 879 050

Unit A5 Douglas Park
Stone Business Park
Stone
ST15 0YJ
United Kingdom

VAT Number: 120 9546 28
Business Registration Number: 07699660