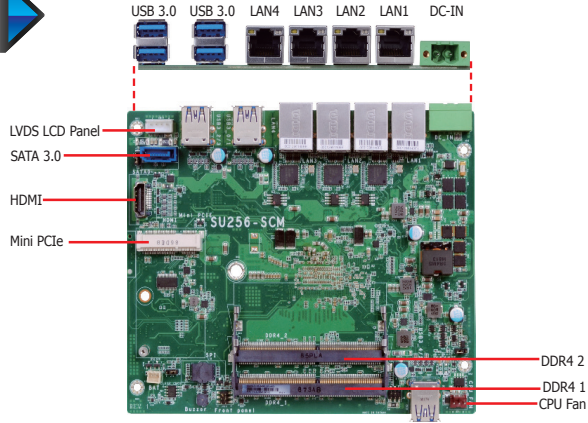




6th Gen Intel® Core™
4"



SU256-SCM



Ordering Information

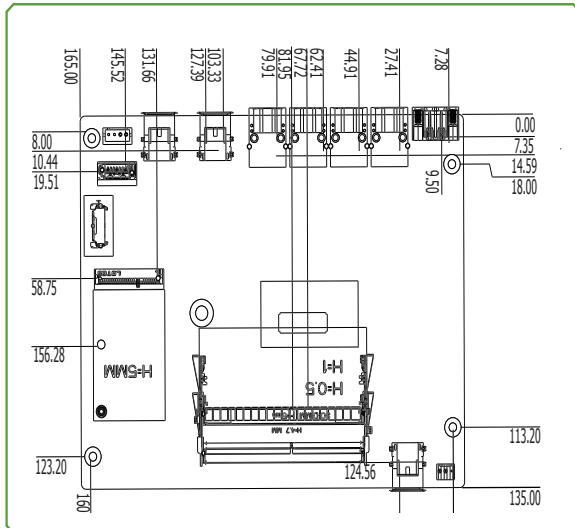
Model Name	P/N	Processor	Storage	Memory	TPM	HDMI	GbE	USB 3.0	Power	Thermal	Temp.
SU256-SCM	770-SU2561-001G	i7-6600U	mSATA SATAIII 256G MLC	DDR4 8Gx2pcs	2.0	1	4	6	15~36V DC	Fanless	-20 to 70°C
SU256-SCM	770-SU2561-101G	i7-7600U	mSATA SATAIII 256G MLC	DDR4 8Gx2pcs	2.0	1	4	6	15~36V DC	Fanless	-20 to 70°C

Notes: Memory and mSATA module 客戶不指定廠牌以及型號，若提供替代料必須提供同等級規格

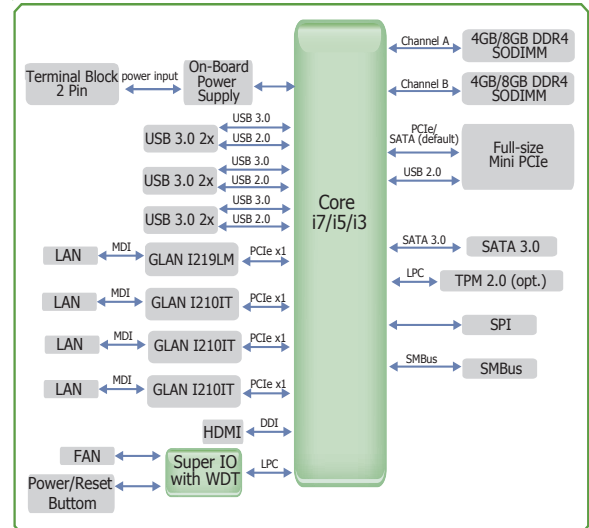
770-SU2561-001G including following PCBA, DDR4 and mSATA modules

1. PCBA: SU256-SCM-6600U: WIDE TEMPERATURE (-20~70) Terminal block _15V~36V
2. DDR4-2400 SO-DIMM 260pin 8GB (1R*8) x 2pcs
3. Flash Module mSATA SATAIII 256GB MLC

Mechanical Drawing



Block Diagram





Specifications

SYSTEM	Processor	6th Generation Intel® Core™ Processors, BGA 1356 (Skylake-U*) Intel® Core™ i7-6600U Processor, Dual Core, 4M Cache, 2.6GHz (3.4GHz), 15W Intel® Core™ i5-6300U Processor, Dual Core, 3M Cache, 2.4GHz (3.0GHz), 15W Intel® Core™ i3-6100U Processor, Dual Core, 3M Cache, 2.3GHz, 15W Intel® Core™ i7-7600U Processor, Dual Core, 4M Cache, 2.8 GHz(3.9 GHz) ,15W	
	Memory	DDR4-2400 SO-DIMM 260pin 8GB (1R*8) x 2pcs	
	BIOS	Insyde SPI 128Mbit	
GRAPHICS	Controller	Intel® HD Graphics GT Series	
	Feature	OpenGL 5.0, DirectX 12, OpenCL 2.1 HW Decode: AVC/H.264, MPEG2, VC1/WMV9, JPEG/MJPEG, HEVC/H265, VP8, VP9 HW Encode: AVC/H.264, MPEG2, JPEG, HEVC/H265, VP8, VP9	
	Display	1 x HDMI	
EXPANSION	Interface	1 x Full-size Mini PCIe	
	Storage	1 x Flash Module mSATA SATAIII 256GB MLC	
ETHERNET	Controller	3 x Intel® I210IT PCIe (10/100/1000Mbps) 1 x Intel® I219LM PCIe with iAMT9.5 (10/100/1000Mbps) (only Core i7/i5 supports iAMT)	
REAR I/O	Ethernet	4 x GbE (RJ-45)	
	USB	4 x USB 3.0	
	Display	1 x HDMI	
FRONT I/O	USB	2 x USB 3.0	
INTERNAL I/O	SATA	1 x SATA 3.0	
	LPC	1 x LPC	
	SMBus	1 x SMBus	
WATCHDOG TIMER	Output & Interval	System Reset, Programmable via Software from 1 to 255 Seconds	
SECURITY	TPM	TPM 2.0 (option)	
POWER	Type	Wide Range 15~36V	
	Connector	Terminal Block	
	Consumption	TBD	
OS SUPPORT	RTC Battery	CR2032 Coin Cell	
		Microsoft	Windows 7 (32/64-bit) Windows 8.1 (64-bit) Windows 10
ENVIRONMENT	Temperature	Operating: -20 to 70°C	Storage: -40 to 85°C
	Humidity	TBD	
	MTBF	TBD	
MECHANICAL	Dimensions	4" SBC Form Factor	165mm x 135mm
	Height	PCB: 1.6mm	Top Side: TBD, Bottom Side: TBD

Packing List

- 1 SU256-SCM board

Assured Systems

Assured Systems is a leading technology company with over 1,500 regular clients in 80 countries, deploying over 85,000 systems to a diverse customer base in 12 years of business. We offer high-quality and innovative rugged computing, display, networking and data collection solutions to the embedded, industrial, and digital-out-of-home market sectors.

US

sales@assured-systems.com

Sales: +1 347 719 4508
Support: +1 347 719 4508

1309 Coffeen Ave
Ste 1200
Sheridan
WY 82801
USA

EMEA

sales@assured-systems.com

Sales: +44 (0)1785 879 050
Support: +44 (0)1785 879 050

Unit A5 Douglas Park
Stone Business Park
Stone
ST15 0YJ
United Kingdom

VAT Number: 120 9546 28
Business Registration Number: 07699660