



Intel Atom® E3800 Series
7" Light Industrial Touch Panel PC

KS070-BT

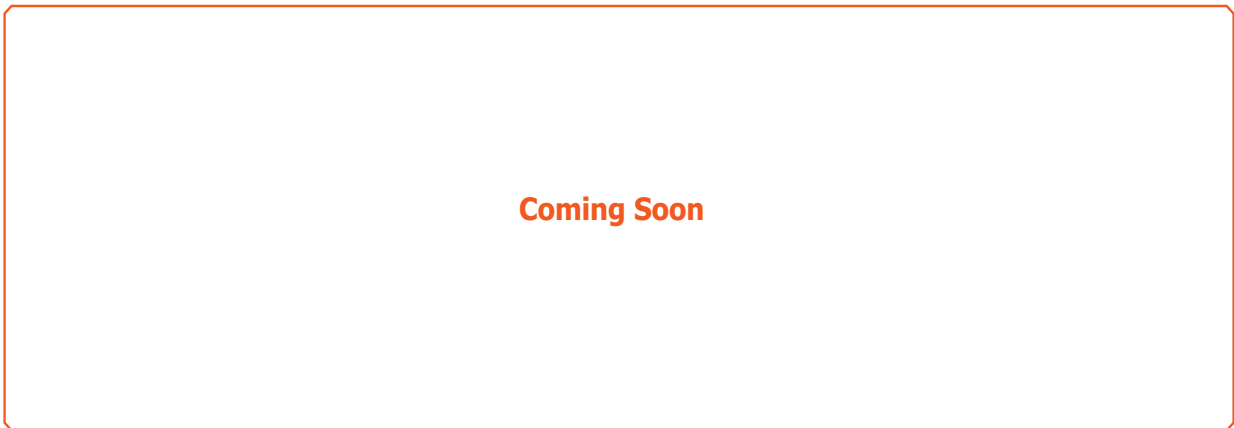


► **Features**

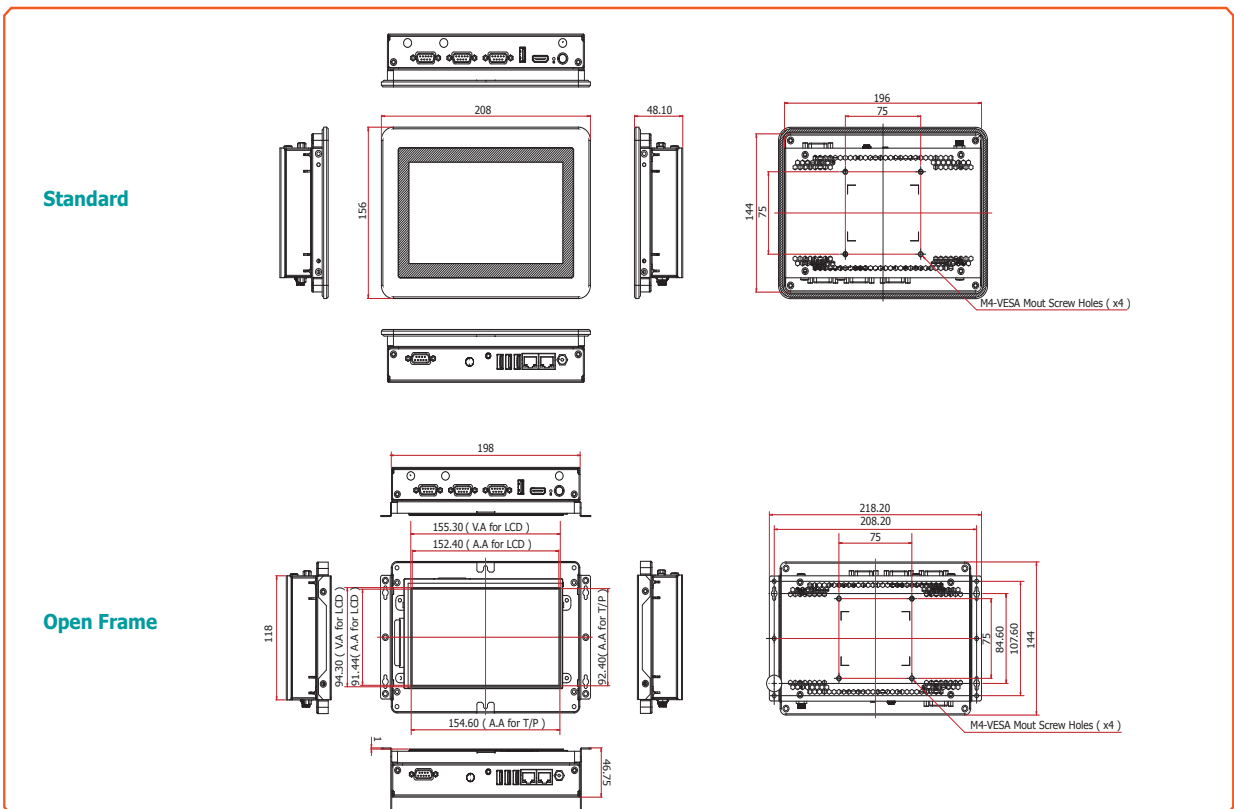
- 7" 800x480 TFT LCD Panel with Touch Screen
- 1x 2.5" SATA drive bay
- IP65 Front Panel Protection
- VESA/Panel Mount
- Rich I/O: 2 LAN, 4 COM, 1 USB 3.0, 3 USB 2.0



► **Panel**



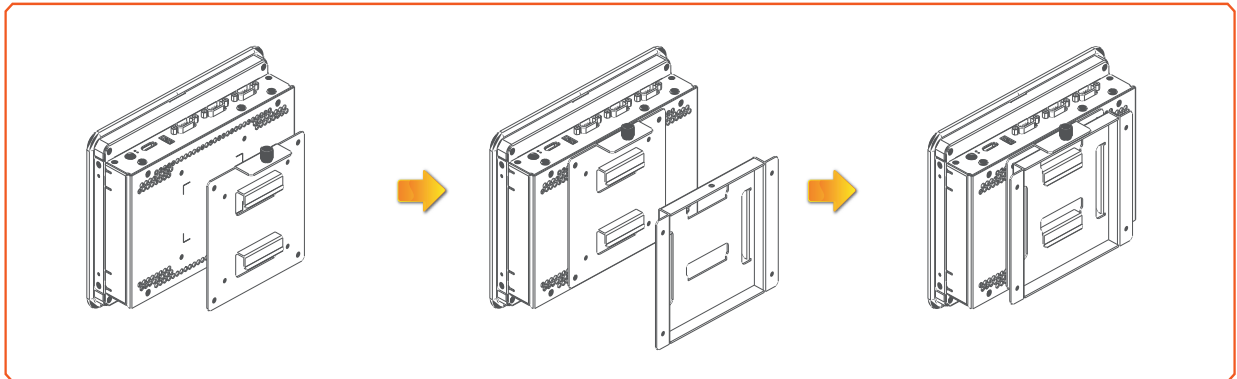
► **Dimensions**





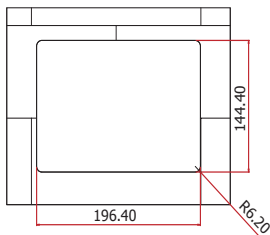
KS070-BT

► **VESA Mounting**

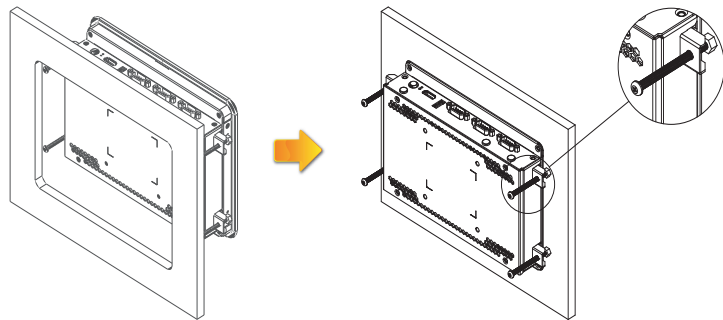


► **Panel Mounting**

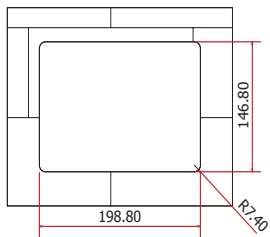
Suggested cut out size
(The flat panel thickness is less than 10mm)



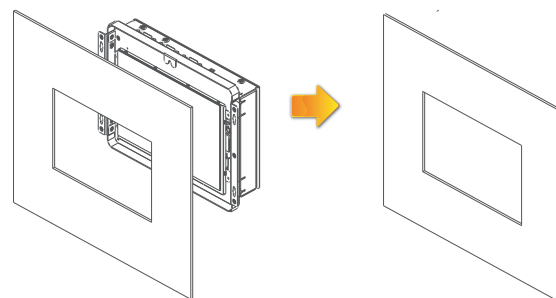
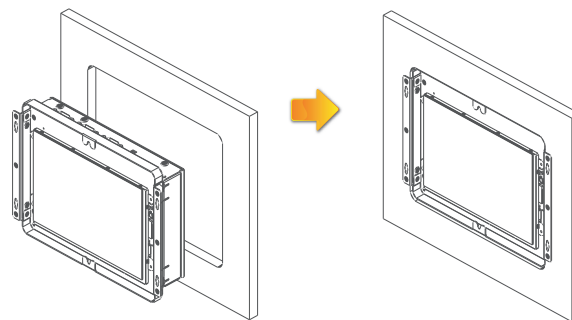
Standard



Suggested cut out size
(The flat panel thickness is less than 12mm)



Open Frame





Ordering Information

Model Name	Part Number	Description
KS070P-BTWD24-E3845	750-KS0700-000G	7" Panel PC with Projected Capacitive Touch Screen, BT253, Intel Atom® E3845, 4GB Memory Onboard
KS070P-BTWD24-J1900	750-KS0700-100G	7" Panel PC with Projected Capacitive Touch Screen, BT253, Intel® Celeron® J1900, 2GB Memory Onboard
KS070P-BTWD24-E3845-OF	750-KS0700-200G	7" Open Frame Panel PC with Projected Capacitive Touch Screen, BT253, Intel Atom® E3845, 4GB Memory Onboard
KS070P-BTWD24-J1900-OF	750-KS0700-300G	7" Open Frame Panel PC with Projected Capacitive Touch Screen, BT253, Intel® Celeron® J1900, 2GB Memory Onboard

Optional Items

Optional Items	Part Number	Description
HDD	785-H25500G	2.5" SATA HDD, 500GB, RoHS
	785-H25320G	2.5" SATA HDD, 320GB, RoHS
	785-S251TBG	2.5" SATA SSD, 1TB MLC, RoHS
	785-S25512G	2.5" SATA SSD, 512GB MLC, RoHS
	785-S25256G	2.5" SATA SSD, 256GB MLC, RoHS
	785-S25128G	2.5" SATA SSD, 128GB MLC, RoHS
	785-S25064G	2.5" SATA SSD, 64GB MLC, RoHS
	785-S25032G	2.5" SATA SSD, 32GB MLC, RoHS
mSATA	785-MS128GMF	mSATA Card, 128GB MLC, RoHS
	785-MS64GMF	mSATA Card, 64GB MLC, RoHS
	785-MS32GMF	mSATA Card, 32GB MLC, RoHS
	785-MS16GMF	mSATA Card, 16GB MLC, RoHS
	785-MS08GMF	mSATA Card, 8GB MLC, RoHS
	785-MS04GMF	mSATA Card, 4GB MLC, RoHS
Wi-Fi	761-110091-000G	Wi-Fi Kit, RoHS
Power Cord	785-PWRD	Power Cord, Standards (USA/EUR/CH), 1.8m, RoHS
Power Adapter	671-110003-100G	120W, 19V/6.3A, Level 6, RoHS
Panel Mount	761-KS0700-000G	Accessory Panel Mount Kits For KS070-BT, RoHS

785-XXX is a group number instead of a unique part number. Please contact your regional sales representative if you need more information.

Packing List

• 1 KS070-BT Touch Panel PC
• 1 Poron foam
• 1 Quick Installation Guide

Assured Systems

Assured Systems is a leading technology company with over 1,500 regular clients in 80 countries, deploying over 85,000 systems to a diverse customer base in 12 years of business. We offer high-quality and innovative rugged computing, display, networking and data collection solutions to the embedded, industrial, and digital-out-of-home market sectors.

US

sales@assured-systems.com

Sales: +1 347 719 4508
Support: +1 347 719 4508

1309 Coffeen Ave
Ste 1200
Sheridan
WY 82801
USA

EMEA

sales@assured-systems.com

Sales: +44 (0)1785 879 050
Support: +44 (0)1785 879 050

Unit A5 Douglas Park
Stone Business Park
Stone
ST15 0YJ
United Kingdom

VAT Number: 120 9546 28
Business Registration Number: 07699660