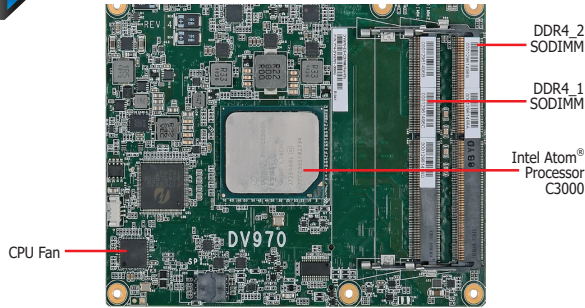




**Intel Atom® Processor C3000 Series
COM Express® Basic**



DV970



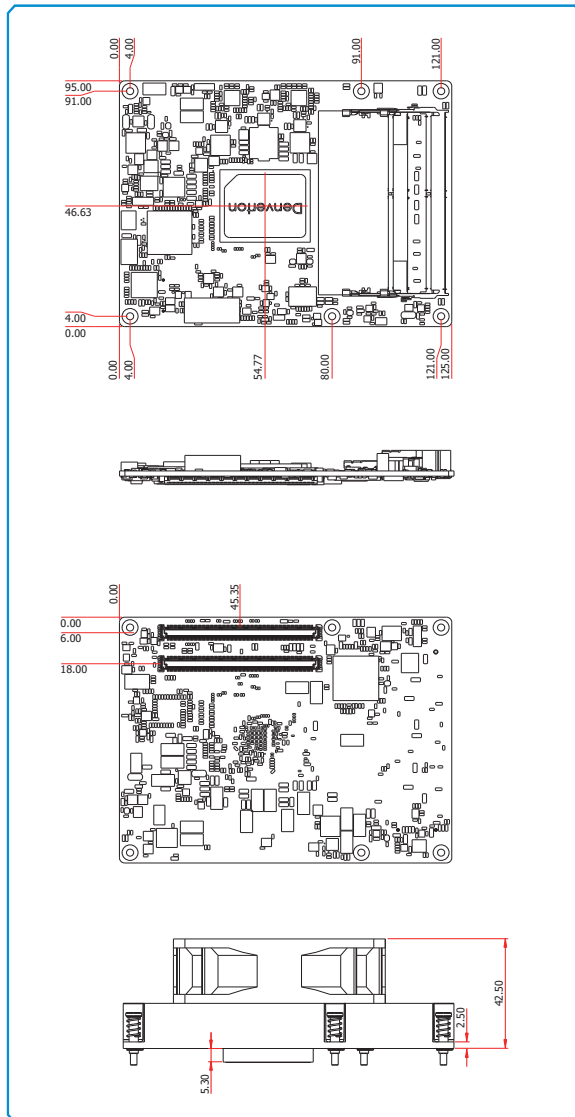
Features

- Dual channel DDR4 2400MHz ECC SODIMM up to 32GB
- High Performance CPU support up to 16 cores
- Support BMC features
- Multiple expansion: 2 PCIe x 8*, 2 SATA 3.0
- Rich I/O: 1 Intel GbE, 4 10Gbase-KR, 2 USB 3.0, 4 USB 2.0

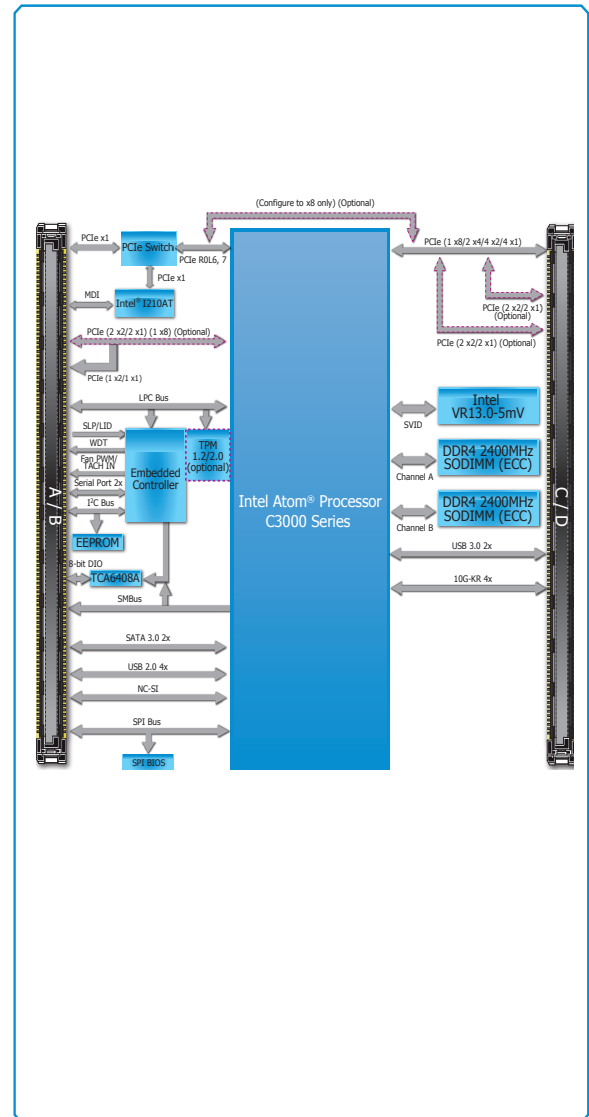
* Populated by default



Mechanical Drawing



Block Diagram





Specifications

SYSTEM	Processor	Intel Atom® Processor C3000 Series, BGA1310 Intel Atom® C3958 Processor, 16 Cores, 16M Cache, 2.0GHz, 31W Intel Atom® C3808 Processor, 12 Cores, 12M Cache, 2.0GHz, 25W Intel Atom® C3708 Processor, 8 Cores, 16M Cache, 1.7GHz, 17W	
	Memory	Two 260-pin ECC SODIMM up to 32GB Dual Channel DDR4 2400MHz (Memory max speed depends on CPU SKU)	
	BIOS	Insyde SPI 128Mbit	
EXPANSION	Interface	Default: B1: 2 x PCIe x2 or 2 x PCIe x1 (Gen 3) B2: 1 x PCIe x2 (Gen 3) + 1 x PCIe x1 (Gen 2) or 2 x PCIe x1 (Lane 8 Gen 3, Lane 12 Gen 2) B3: 1 x PCIe x8 or 2 x PCIe x4 or 2 x PCIe x2 or 2 x PCIe x1 (Gen 3) Option 1: B1: 1 x PCIe x8 or 2 x PCIe x4 or 2 x PCIe x2 or 2 x PCIe x1 (Gen 3) B3: 2 x PCIe x2 or 2 x PCIe x1 (Gen 3) B4: 2 x PCIe x2 or 2 x PCIe x1 (Gen 3) 1 x LPC 1 x I ² C 1 x SMBus 2 x UART (TX/RX)	
		ETHERNET	Controller
I/O	USB	2 x USB 3.0 4 x USB 2.0	
	SATA	2 x SATA 3.0 (up to 6Gb/s) RAID 0/1/10	
	DIO	1 x 8-bit DIO (4 in, 4 out)	
WATCHDOG TIMER	Output & Interval	System Reset, Programmable via Software from 15 to 255 Seconds	
SECURITY	TPM	Available Upon Request	
POWER	Type	12V, 5VSB, VCC_RTC (ATX mode) 12V, VCC_RTC (AT mode)	
	Consumption	TBD	
OS SUPPORT		Windows Server 2012 Windows Server 2016	Yocto Project v1.8/v2.0
ENVIRONMENT	Temperature	Operating: 0 to 60°C -40 to 85°C	Storage: -40 to 85°C
	Humidity	Operating: 5 to 90% RH	Storage: 5 to 90% RH
	MTBF	TBD	
MECHANICAL	Dimensions	COM Express® Basic	95mm (3.74") x 125mm (4.9")
	Compliance	PICMG COM Express® R3.0, Type 7	

Packing List

• 1 DV970 board	
• 1 DVD	
• 1 Cooler (Height: 47.80 mm)	Standard: A71-108101-000G Wide Temp: A71-108101-010G

Optional Items

• COM333-I carrier board kit	770-CM3331-000G
• Heat spreader (Height: 11mm)	A71-808317-000G

Assured Systems

Assured Systems is a leading technology company with over 1,500 regular clients in 80 countries, deploying over 85,000 systems to a diverse customer base in 12 years of business. We offer high-quality and innovative rugged computing, display, networking and data collection solutions to the embedded, industrial, and digital-out-of-home market sectors.

US

sales@assured-systems.com

Sales: +1 347 719 4508
Support: +1 347 719 4508

1309 Coffeen Ave
Ste 1200
Sheridan
WY 82801
USA

EMEA

sales@assured-systems.com

Sales: +44 (0)1785 879 050
Support: +44 (0)1785 879 050

Unit A5 Douglas Park
Stone Business Park
Stone
ST15 0YJ
United Kingdom

VAT Number: 120 9546 28
Business Registration Number: 07699660