

FM10MG

10.4" Android Vehicle Mounted Computer with Genio 510 A78 + A55 CPU



KEY FEATURES

- ARM Genio 510 2 x A78 2.0GHz + 4 x A55 2.0GHz CPU
- 10.4" 1024 x 768 Panel with PCAP touchscreen
- Field replaceable front panel to reduce service costs
- IP65 waterproof and dustproof
- Wide range -30°C to 50°C operating temperature



OVERVIEW



Enhanced Touchscreen Interaction

With a PCAP touch screen, the FM series Android vehicle-mounted computer offers smooth and precise touch responses. Its user-friendly interface ensures effortless operation in a variety of environments.



Resilient in Tough Conditions

Constructed to endure the toughest conditions, the FM series Android vehicle-mounted computer features an IP65 waterproof and dustproof rating and complies with MIL-STD-810H standards. This rugged device provides reliable performance in any challenging environment.



Reliable Operation in Extreme Temperatures

Built for extreme climates, the FM series Android vehicle-mounted computer maintains reliable performance in both hot and cold conditions. Whether in low-temperature storage areas or warehouses with rapid temperature changes, our devices stay stable and functional without interruption.



Detachable Mounting Solutions

The FM series Android vehicle-mounted computer is easily detachable and can be installed in a variety of vehicle configurations, including forklifts and other industrial vehicles. This versatility provides secure and adaptable mounting solutions, allowing users to experience flexible device positioning for convenient and efficient operation.

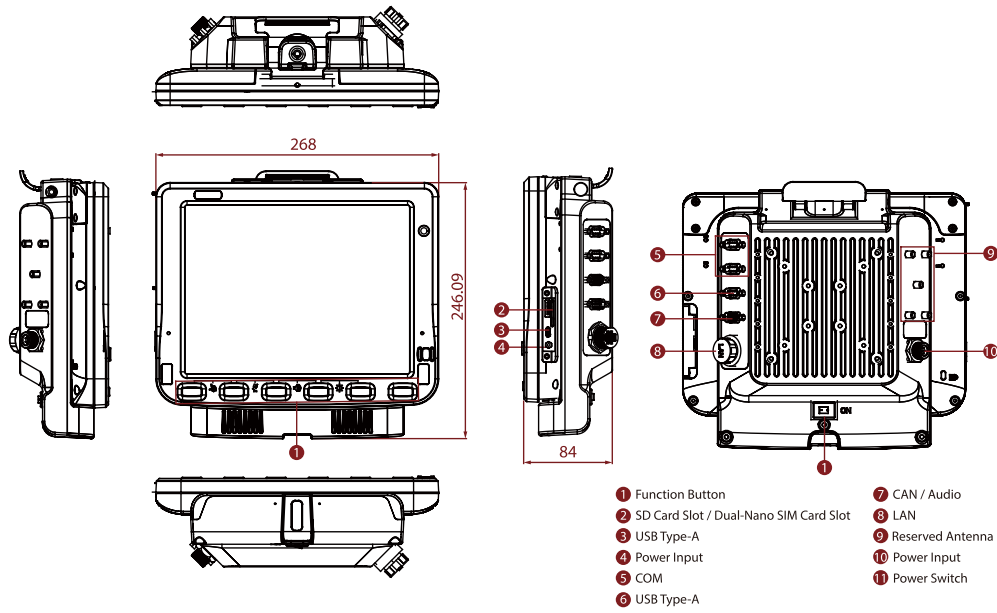
For more mounting information, please visit [RAM Mount](#)

SPECIFICATIONS

Display		System Specification	
Resolution	1024x768	Processor	ARM Genio 510 2 x A78 2.0GHz + 4 x A55 2.0GHz
Contrast Ratio	1200:1	Storage	Onboard 64 GB
View Angles	88,88,88,88	Memory	4GB LPDDR4
Touch Mode	Support Hand, Stylus, Glove Mode	Operating System	Android 13 Linux Yocto 5.10.104 with QT 5.15 (Optional) Linux Ubuntu 22.04 (Optional)
Size	10.4 inches		
Panel Brightness	400 nits 800 nits(Optional)		
Type	Projected Capacitive Multi Touch		

WLAN	Support	BT	Support
WWAN	4G/LTE (Optional)	GNSS	GPS/GLONASS
Sensors	G-Sensor, Temp. Sensor		
Camera			
Front Camera	2MP Camera		
Mechanical			
Dimension	Tablet: 268 x 214 x 35 mm (10.6 x 8.42 x 1.37 inches) Docking: 202 x 245 x 52 mm (7.9 x 9.6 x 2.04 inches)	Weight	Tablet 1.6 kg (3.53 lbs) Docking 1.6 kg (3.53 lbs)
Mounting	RAM mount Vesa mount (Optional)	Cooling System	Fanless Design
Docking Housing	Aluminum Alloy Housing		
IO Ports			
USB Port	1 x USB 2.0 Type C (OTG)(Tablet) 1 x DB9 Connector for 2 x USB 2.0 Port(Docking)	Serial Port	2 x COM Port(Docking)
SD Card Slot	1 x Micro SD Card Slot(Tablet)	SIM Card Slot	1 x Dual-Nano SIM Card Slot(Tablet)
Audio	2 x Speaker(Docking) 1 x CANBus or 1 x Audio(Docking)	LAN	1 x Gigabit LAN port(Docking)
Indicator	5 x LED Indicator (Wi-Fi, BT, UPS battery, Screen Blanking, Heater)	Docking Connector	SMA Connector(female) for external antenna WLAN SMA Connector(female) for external antenna GPS (Optional) SMA Connector(female) for external antenna WWAN (Optional)
Environment			
Operating Humidity	5% to 95% RH, Non-Condensing	Operating Temperature	-30°C to 60°C
Storage Temperature	-30°C to 60°C	Shock	MIL-STD-810G Method 516.6 Procedure I
Vibration	MIL-STD-810G Method 514.6 Procedure I	IP rating	IP65
Impact	Support EN62262 IK07 Rating	ESD	Compliant with EN 61000-4-2, Enhanced ESD to ±8kV Direct & ±15kV Air
Certification			
Certification	CE, FCC		
Control			
Button	1 x Power Button, 6 x Function Button (Programmable Function Key Configured by Winset)		
Power			
Battery	7.6V UPS Battery (2S1P) Minimum 30 minutes	Power Rating	Docking: 10V-60V with ignition control Tablet: 12V DC In
Security Function			
SOTI MobiControl	SOTI MobiControl Compliance		
Accessory			
Accessory	5M Power Cable with Fuse Kit 0.3M USB Cable 0.15M Power Converter Cable DC Jack Power Cable 84W Adapter with power cable Cable Clamp Kit Wi-Fi Antenna x 2 Quick Start Guide External Antenna Fixing Bracket Dock + Latch Locking Key Stylus Kit + Screw	Optional Accessory	1.8M RS232 Cable 0.3M Audio Cable 1.8M CAN BUS Cable 1.8M CAN BUS Open Wire Cable 2M IP65 LAN Cable GPS & LTE 2M Combo Antenna(VM240) GPS & LTE 5M Combo Antenna (VM9C) Magnetic Combo Antenna (VM10S) WWAN Antenna HDMI Adapter

DIMENSIONS UNIT:MM



NOTE

1. Total usable memory will be less dependent upon actual system configuration.
2. CANBus and audio are mutually exclusive.
3. The heater is a customized feature available by request.
4. SOTI is available upon request.
5. Length measurements do not include protrusions. Weight varies with options.
6. Measured at dimming LCD brightness. Varies depending on the usage conditions, or when an external device is attached.
7. Accessories may vary depending on your configuration.
8. Two Wi-Fi antennas are included in the standard package.
9. The product shown in this datasheet is a standard model. For diagrams that contain customized or optional I/O, please contact the Winmate Sales Team for more information.
10. Please order one bracket for one antenna. For example, if you plan to use two antennas, please order two brackets.
11. Notice that only one antenna is included in the package. If you plan to use the WWAN function please order two WWAN antennas.
12. This is a simplified drawing and some components are not marked in detail.
13. COM port can supply 5V power via the 9th pin.

Assured Systems

Assured Systems is a leading technology company with over 1,500 regular clients in 80 countries, deploying over 85,000 systems to a diverse customer base in 12 years of business. We offer high-quality and innovative rugged computing, display, networking and data collection solutions to the embedded, industrial, and digital-out-of-home market sectors.

US

sales@assured-systems.com

Sales: +1 347 719 4508
Support: +1 347 719 4508

1309 Coffeen Ave
Ste 1200
Sheridan
WY 82801
USA

EMEA

sales@assured-systems.com

Sales: +44 (0)1785 879 050
Support: +44 (0)1785 879 050

Unit A5 Douglas Park
Stone Business Park
Stone
ST15 0YJ
United Kingdom

VAT Number: 120 9546 28
Business Registration Number: 07699660