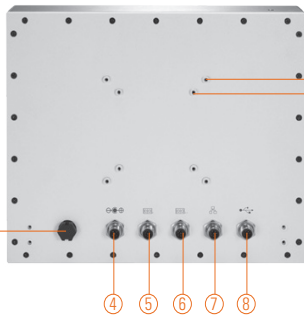


GOT812LR-834

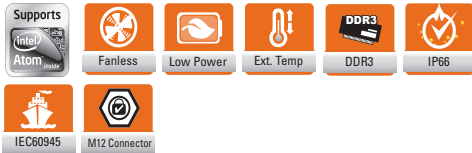
12.1" XGA TFT IP66-rated Stainless Steel Sunlight Readable Fanless Touch Panel Computer (-20°C ~ +55°C)



waterproof, dust proof ventilation valve

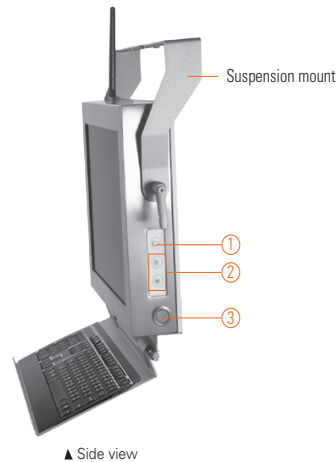
VESA 100
VESA 75

1. Backlight switch
2. Brightness adjust
3. Power switch (ATX)
4. DC power connector
5. COM 1 (RS-232/422/485)
6. COM 2 (RS-232/422/485)
7. Ethernet
8. USB 2.0 x 2



Features

- Sunlight readable 12.1" XGA high brightness (1000 nits)
- Low-reflective color TFT LCD
- Water/dust/corrosion-proof design IP66 (NEMA4X)
- Type 316 stainless steel front bezel
- Wide operating temperature range of -20°C ~ +55°C
- Fanless system with Intel® Atom™ processor E3827 1.75 GHz
- Wireless network connectivity
- Flexible and expandable with variety of M12 type I/O connections
- Designed and tested according to IEC60945
- Supports suspension and VESA mount



▲ Side view

Introduction

The GOT812LR-834 is specially designed for heavy-duty & outdoor applications. Its IP66-rating stainless steel housing protects entire system from outside damage of water, powder and dust. It also outfits sunlight readable technology and wide operating temperature range of -20°C ~ +55°C. Thus, this robust unit is best suited for outdoor environments in extreme sunny or rainy day, dusty or wet spaces in food factories or kitchens and more harsh applications, such as steel factories, transformer stations and vessels.

IP66-sealed system

The 12.1-inch GOT812 adopts a water/dust-proof housing design and five IP66-rated connectors. It passes entire system IP66 test by SGS and verified salt mist test.

Sunlight readable design

Its sunlight readable technology with LED tech high brightness 1000 nits color display and low reflective touchscreen allows the screen legible even under strong sunlight.

Wide temp. (-20°C ~ +55°C) & anti-vibration (2G) design

The 12.1" industrial touch panel PC supports wide temperature of -20°C ~ +55°C. Besides, the patent of anti-vibration for SSD ensures system reliability and stability.

Specifications

Front Bezel	Stainless type 316	
LCD Panel	Display Type	12.1" XGA TFT LCD
	Brightness (cd/m ²)	1000 nits
	Resolution	1024 x 768
	Viewing Angle (H/V)	160°/140°
Main System	CPU	Intel® Atom™ processor E3827 1.75 GHz
	System Memory	2 x 204-pin DDR3L SO-DIMM max. up to 8 GB
	BIOS	AMI with Axiomtek standard features; such as, SmartView, Ethernet Boot ROM (RPL & PXE), customer CMOS backup
	Storage	1 x 2.5" SSD 1 x CompactFlash™
	Watchdog Timer	255 levels, 1~255 sec.
	Onboard Graphics	Integrated in Intel® GFX

Specifications

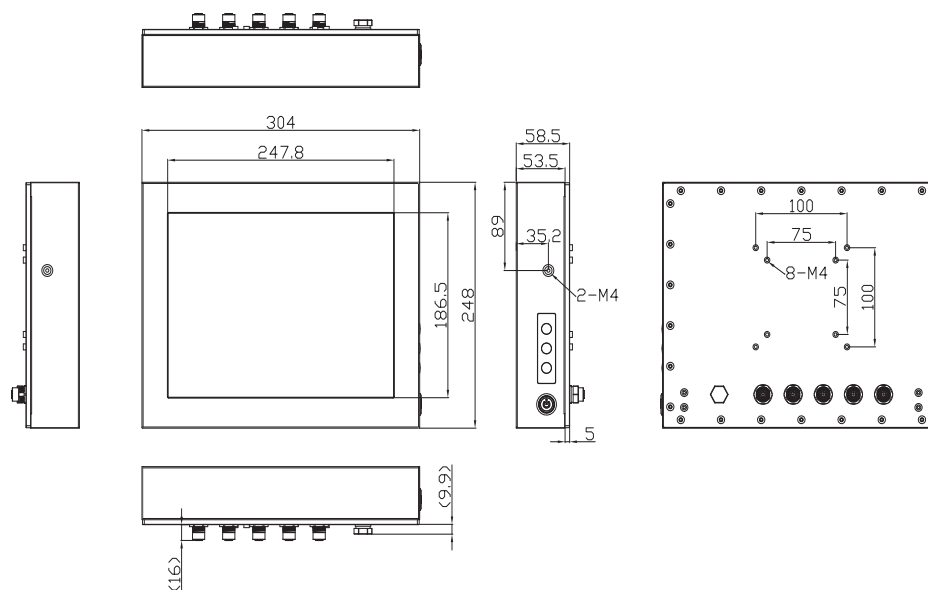
I/O Connector	2 x RS-232/422/485 (default RS-232) 2 x USB 2.0 1 x 10/100/1000Mbps Ethernet
Expansion Interface	2 x PCIe Mini Card slot
Touchscreen	2-wire resistive low reflective type
Power Supply	Power input 9-36VDC
Dimensions	304 mm (11.97") (W) x 58.5 mm (2.3") (D) x 248 mm (9.76") (H)
Packing Dimensions	380 mm (14.96") (W) x 190 mm (7.48") (D) x 430 mm (16.93") (H)
Weight (net/gross)	4.6 kg (10.14lb)/ 6.2kg (13.67lb)
Environment	Operating temperature: -20°C ~ +55°C (-4°F ~ +131°F) Storage Temperature: -30°C ~ +80°C (-22°F ~ +176°F) Relative humidity: 10% ~ 95% @ 40°C, non-condensing Operation vibration: 2G, 5 ~ 500Hz, random for 2.5" SSD 2G, 5 ~ 500Hz, random for CompactFlash™
Certificate	CE

* W.T.: Wide Temperature. All W.T. supported products have to be sorted by Axiomtek.

Optional Accessories

822B8120070E	GOT812 keyboard bracket (w/o keyboard)
822B8120080E	GOT812 suspension kit
594B8122100E	Water-proof COM port cable (1.8m)
594B8122820E	Water-proof USB cable (1.8m)
594B8122720E	Water-proof LAN cable (1.8m)
50964A23000E	72W/24V power adapter with M12 connector

Dimensions



Ordering Information

Sunlight readable type	
GOT812LR-834-DC	12.1" IP66-rated heavy-duty stainless sunlight readable touch panel computer (1000 nits) with Intel® Atom™ E3827
GOT812LR-834-RF-DC	12.1" IP66-rated heavy-duty stainless sunlight readable touch panel computer (1000 nits) with Intel® Atom™ E3827 and WiFi or 3G

* Specification and certifications are based on options and may vary.

Optional EOS Installation

WES 7
WEBS

Optional OS Installation

Windows® 7
Windows® 8/8.1

Overview

Industrial Panel Computers & Monitors

2

Heavy-duty Fanless Touch Panel Computers

Digital Signage Solutions

Healthcare & Medical Solutions

Open Frame Panel Computers

Accessories



Assured Systems

Assured Systems is a leading technology company with over 1,500 regular clients in 80 countries, deploying over 85,000 systems to a diverse customer base in 12 years of business. We offer high-quality and innovative rugged computing, display, networking and data collection solutions to the embedded, industrial, and digital-out-of-home market sectors.

US

sales@assured-systems.com

Sales: +1 347 719 4508
Support: +1 347 719 4508

1309 Coffeen Ave
Ste 1200
Sheridan
WY 82801
USA

EMEA

sales@assured-systems.com

Sales: +44 (0)1785 879 050
Support: +44 (0)1785 879 050

Unit A5 Douglas Park
Stone Business Park
Stone
ST15 0YJ
United Kingdom

VAT Number: 120 9546 28
Business Registration Number: 07699660