

10.4" Marine Bridge System Display

Model # R10L210-MRM2

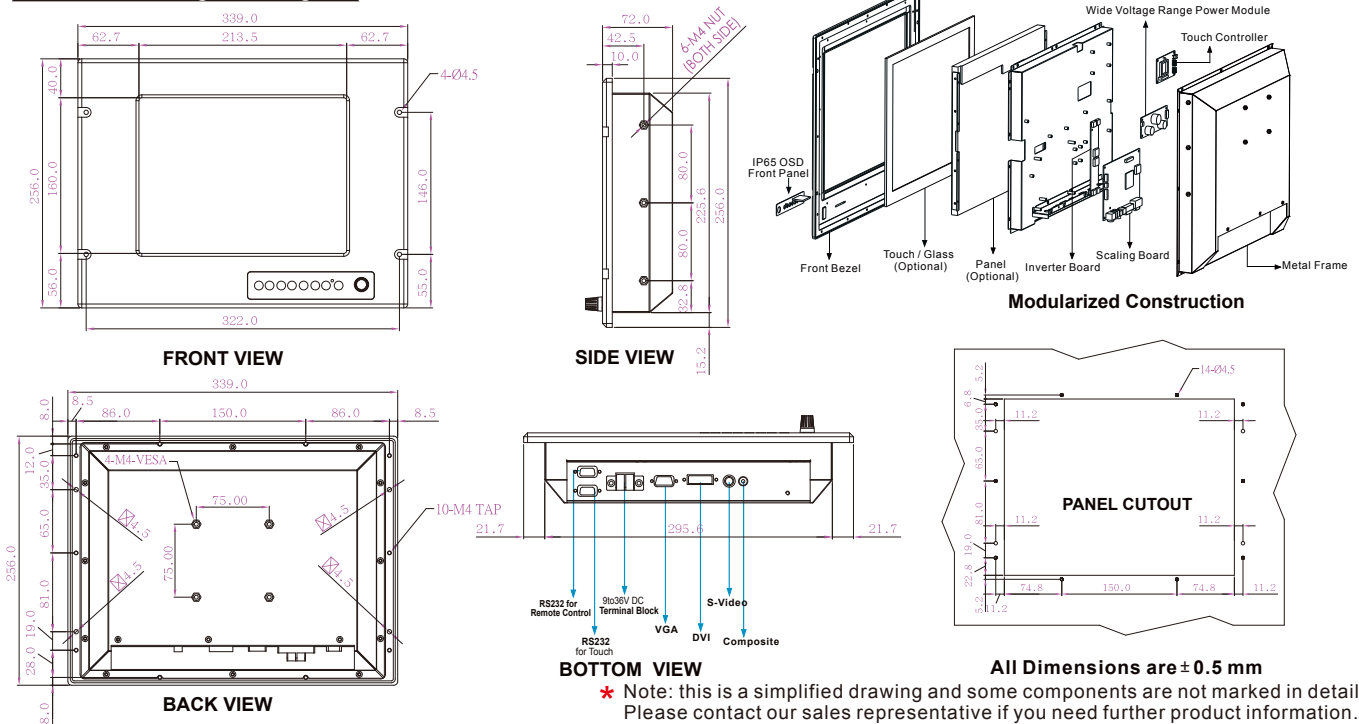
Features:



- **Hyper Dimming** : Dimming knob control backlight brightness from nearly 0% to 100%
- **Sunlight Readable** : Transflective film technology enhance visibility
- **Anti-Corrosion & IP Proof** : IP66 aluminum housing with powder coating design (IP54 rear)
- **Wide Voltage Range Input** : 24V DC to DC power input acceptable (Isolation Resistance)
- **Touchscreen/ Protection Glass** : High quality touchscreen / AR protection glass for option
- **Multiscan Function** : PIP (picture in picture) function and multi-video inputs
- **IP65 OSD Front Panel Design** : Ease of use front panel OSD control
- **Anti-Shock and Vibration** : Enhanced shock and vibration resistance



Mechanical Design Drawings



TFT Characteristics:

Pixel Number	: 800 x 600
Pixel Pitch (RGB)	: 0.264(H) x 0.264(V)
Contrast Ratio	: 500 : 1 (typ.)
Panel Brightness	: 400 cd/m (typ.)
Viewable Angles	: -70~70(H); -60~50(V)
Active Display Area	: 211.2(H) x 158.4(V) mm
Max Colors	: 16.7M (8bit/colors)

Input Signals:

RGB Signal	: D-SUB 15P connector (female)
Composite Video	: RCA phono plug
S-Video Signal	: S-Video (SVHS) plug
DVI-D Signal	: DVI-D input 24pin connector
DC Power Signal	: Screw terminal block
AC Power Signal (optional)	: Std IEC Inlet
Touch Screen (Optional)	: D-SUB 9P connector (female)
Remote via RS-232 (Optional)	: D-SUB 9P connector (female)

User Controls:

Power On/Off	via Front Button
Power Mode Status	LED
On Screen Display control (OSD)	
OSD Remote Control	via RS-232

Power Specifications:

Power Supply	: 24V DC power supply with Terminal block (Default, Isolation Resistance)
Power Consumption	: 21 W typical, normal operation

Mechanical and Environmental:

Mechanical Mounting	: Panel (Flush) mount with Ip66*, VESA, Bracket mounting
Operating Temperature	: -15 to 55 deg.C
Operating Humidity	: 5% to 95% (non condensing)
Anti-Vibration	: 5Hz~500Hz / 1Grms/3 Axis
Anti-Shock	: 15G, 11ms duration
* SAW touch for IP54	

Available Options:

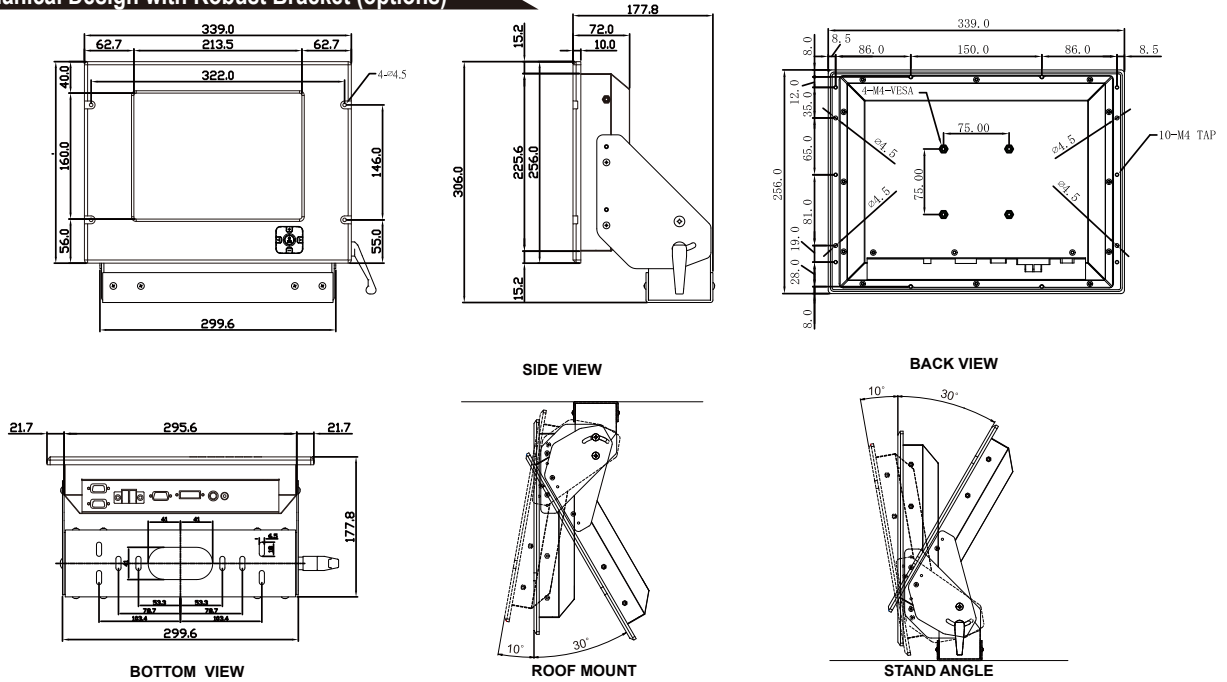
Touch Screen Options	: SAW, 5 Wire Resistive
AR Safety Glass Options	: 3mm Anti-reflective protection glass
Transflective Options	: Yes (Enhance Visibility)
Bracket Mounting Options	: Yes (One robust bracket can adjust from -10 to 30 deg.)

Certification and Approvals : CE, FCC, IEC60945, DNV2.4, IACS-E10

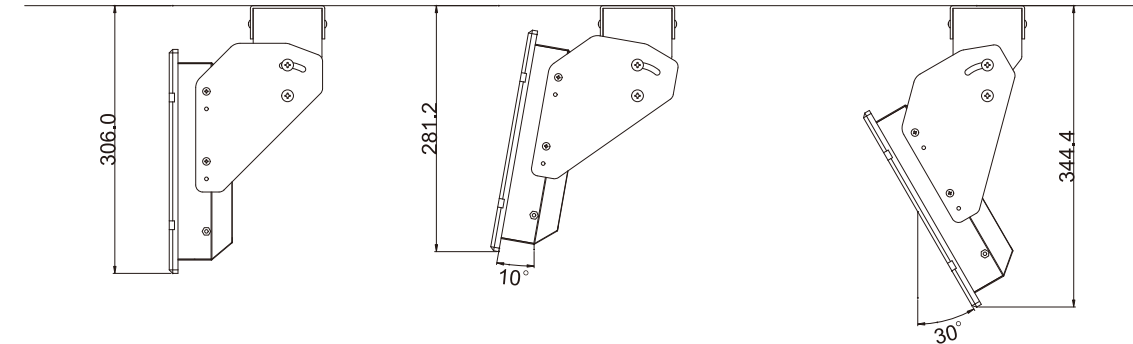




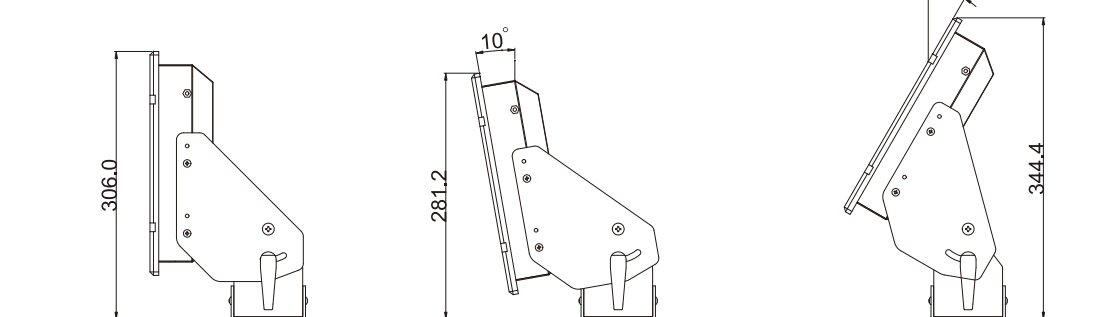
Mechanical Design with Robust Bracket (options)



ROOF MOUNT



STAND ANGLE



All Dimensions are ± 0.5 mm

* Note: this is a simplified drawing and some components are not marked in detail. Please contact our sales representative if you need further product information.

Certification and Approvals : CE,FCC,IEC60945,DNV2.4,IACS-E10

* Extra charge is required for back covers with bracket holes for products purchased before end of Nov. 08'



Note: All Specifications are subject to change without prior notice!

Revised date: 18-Nov-2019 V1.7

Assured Systems

Assured Systems is a leading technology company with over 1,500 regular clients in 80 countries, deploying over 85,000 systems to a diverse customer base in 12 years of business. We offer high-quality and innovative rugged computing, display, networking and data collection solutions to the embedded, industrial, and digital-out-of-home market sectors.

US

sales@assured-systems.com

Sales: +1 347 719 4508
Support: +1 347 719 4508

1309 Coffeen Ave
Ste 1200
Sheridan
WY 82801
USA

EMEA

sales@assured-systems.com

Sales: +44 (0)1785 879 050
Support: +44 (0)1785 879 050

Unit A5 Douglas Park
Stone Business Park
Stone
ST15 0YJ
United Kingdom

VAT Number: 120 9546 28
Business Registration Number: 07699660