



12.1" Industrial Monitors  
**DuraVision**<sup>®</sup>  
FDX1203 / FDX1203T



## Highly Durable 12.1" Industrial Monitors with High Brightness and Multiple Mounting Options

### Flexible Installation

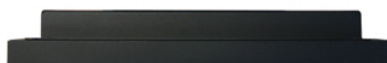
To meet the requirements of different industrial installations, the monitors are available in four configurations – desktop, VESA mount, panel mount, and chassis.

### High Brightness for Visibility

The maximum brightness of 1000 cd/m<sup>2</sup> (780 cd/m<sup>2</sup> for the FDX1203T) ensures excellent screen visibility in bright ambient environments. The brightness is adjustable to as low as 0.5 cd/m<sup>2</sup>, making them easy to view in low ambient lighting conditions.

### Durable Build

Both monitors can withstand temperatures ranging from 0 - 50°C for high durability in industrial environments. In addition, the cabinets do not contain any ventilation holes, making them impervious to liquids and dust.



Monitor Top View

### Touch Panel Variation

The FDX1203T is equipped with an analog resistive touch panel that has a minimum touch life of 10 million touches. It accepts touch input from both bare and gloved hands as well as styluses. It is also more resistant to dust and water compared to other touch technologies for increased durability.



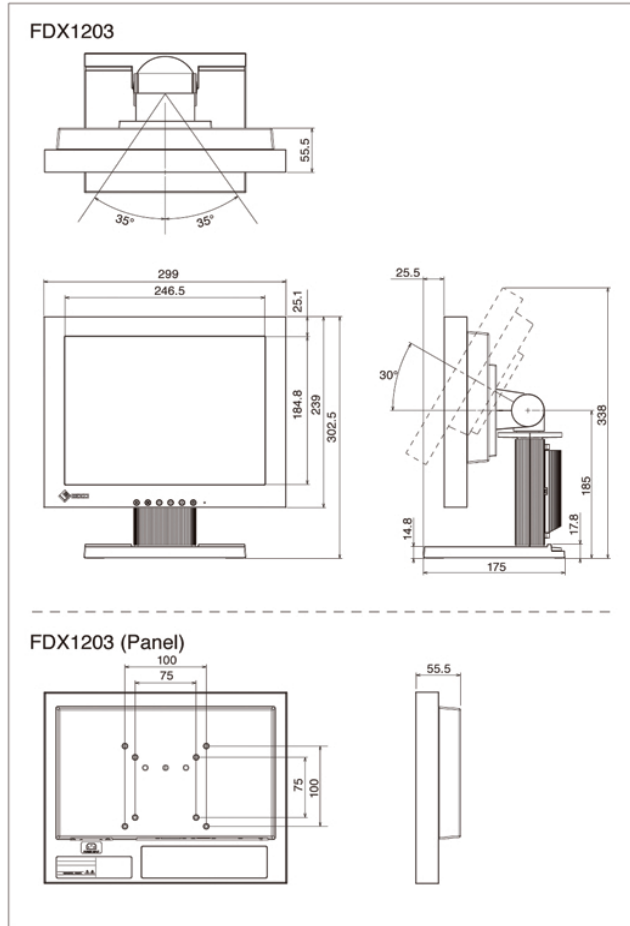
### Flexible Positioning

The monitors are built to operate in both standard horizontal positions and non-standard positions such as attached to a mounting device or tilted at an extreme angle. In addition, images can be viewed rotated at 180° using a function accessed via the monitor's front buttons for viewing flexibility.

**Additional Features**

- D-Sub mini 15 pin analog input
- DVI-D 24 pin digital input
- Key lock support
- 2-year, 24 hour use manufacturer's warranty

■ **Dimensions**



**SPECIFICATIONS**

	Without Touch Panel <b>FDX1203</b>	With Touch Panel <b>FDX1203T</b>
<b>Model Variations</b>	With Stand, Without Stand	With Stand, Without Stand
<b>Cabinet Colors</b>	Gray	Gray
<b>Panel</b>	TN	TN
<b>Size</b>	12.1" / 31 cm (307 mm diagonal)	12.1" / 31 cm (307 mm diagonal)
<b>Native Resolution</b>	1024 x 768 (4:3 aspect ratio)	1024 x 768 (4:3 aspect ratio)
<b>Display Size (H x V)</b>	245.7 x 184.3 mm	245.7 x 184.3 mm
<b>Pixel Pitch</b>	0.240 x 0.240 mm	0.240 x 0.240 mm
<b>Display Colors</b>	16.7 million	16.7 million
<b>Viewing Angles (H / V, typical)</b>	160°, 140°	160°, 140°
<b>Brightness (typical)</b>	1000 cd/m <sup>2</sup>	780 cd/m <sup>2</sup>
<b>Contrast Ratio (typical)</b>	600:1	600:1
<b>Response Time (typical)</b>	25 ms (Black-white-black)	25 ms (Black-white-black)
<b>Input Terminals</b>	DVI-D 24 pin x 1 (with HDCP), D-Sub mini 15 pin x 1	DVI-D 24 pin x 1 (with HDCP), D-Sub mini 15 pin x 1
<b>Digital Scanning Frequency (H / V)</b>	31 - 49 kHz, 59 - 61 Hz (VGA Text: 69 - 71 Hz)	31 - 49 kHz, 59 - 61 Hz (VGA Text: 69 - 71 Hz)
<b>Analog Scanning Frequency (H / V)</b>	24 - 61 kHz, 55 - 76 kHz	24 - 61 kHz, 55 - 76 kHz
<b>Power Requirements</b>	Monitor: DC 12 V AC Adapter: AC 100 - 240 V, 50 / 60 Hz	Monitor: DC 12 V AC Adapter: AC 100 - 240 V, 50 / 60 Hz
<b>Maximum Power Consumption</b>	DC: 15 W AC: 16 W	DC: 15 W AC: 16 W
<b>Standby Mode</b>	DC: 0.5 W or less AC: 1 W or less	DC: 0.5 W or less AC: 1 W or less
<b>Power Management</b>	Power Save (VESA DPM and DVI DMPM), ECO Timer	Power Save (VESA DPM and DVI DMPM), ECO Timer
<b>OSD Settings</b>	Screen Adjustment (Clock, Phase, Position, Range (Auto), Smoothing (5 stages), Color Adjustment (Brightness, Temperature, Gain, Saturation, Hue, Reset, Color Mode), Signal Switching, Power Indicator, Product Information (name, serial number, resolution, operating time, etc.), Reverse, Reset	Screen Adjustment (Clock, Phase, Position, Range (Auto), Smoothing (5 stages), Color Adjustment (Brightness, Temperature, Gain, Saturation, Hue, Reset, Color Mode), Signal Switching, Power Indicator, Product Information (name, serial number, resolution, operating time, etc.), Reverse, Reset
<b>Dimensions (Landscape, W x H x D)</b>	299 x 302.5 x 175 mm	299 x 302.5 x 175 mm
<b>Dimensions (Without Stand, W x H x D)</b>	299 x 239 x 55.5 mm	299 x 239 x 55.5 mm
<b>Net Weight</b>	3.7 kg	3.9 kg
<b>Net Weight (Without Stand)</b>	2 kg	2.2 kg
<b>Tilt</b>	30° Up, 0° Down	30° Up, 0° Down
<b>Swivel</b>	35° Right, 35° Left	35° Right, 35° Left
<b>Certifications &amp; Standard</b>	CB, CE, CTUVus, FCC-B, Canadian ICES-003-B, TUV/S, VCCI-B, CCC, RCM, RoHS, WEEE, China RoHS, J-Moss Green mark Guideline	CB, CE, CTUVus, FCC-B, Canadian ICES-003-B, TUV/S, VCCI-B, CCC, RCM, RoHS, WEEE, China RoHS, J-Moss Green mark Guideline
<b>Supplied Accessories</b>	AC adaptor, Signal cable (D-Sub - D-Sub), setup manual, CD-ROM (PDF user's manual), screws for mount option (Freemount Only)	AC adaptor, Signal cable (D-Sub - D-Sub), USB cable, setup manual, CD-ROM (PDF user's manual, Touch panel driver), screws for mount option (Freemount Only)
<b>Warranty</b>	Two Years	Two Years

**Touch Panel**

<b>Type</b>	-	Analog resistive
<b>Communication Protocol</b>	-	USB 2.0 / RS-232C
<b>Touch Life</b>	-	10 million touches (minimum)
<b>Compatible OS</b>	-	Windows 7 (64bit, 32 bit) / Vista (32-bit) / XP (32-bit)

**EIZO Corporation**

153 Shimokashiwano, Hakusan, Ishikawa 924-8566 Japan  
Phone +81-76-277-6792 Fax +81-76-277-6793  
www.eizoglobal.com

All product names are trademarks or registered trademarks of their respective companies. DuraVision and EIZO are registered trademarks of EIZO Corporation. Specifications are subject to change without notice.

Copyright©2014 EIZO Corporation. All rights reserved.

## Assured Systems

Assured Systems is a leading technology company with over 1,500 regular clients in 80 countries, deploying over 85,000 systems to a diverse customer base in 12 years of business. We offer high-quality and innovative rugged computing, display, networking and data collection solutions to the embedded, industrial, and digital-out-of-home market sectors.

### US

[sales@assured-systems.com](mailto:sales@assured-systems.com)

Sales: +1 347 719 4508  
Support: +1 347 719 4508

1309 Coffeen Ave  
Ste 1200  
Sheridan  
WY 82801  
USA

### EMEA

[sales@assured-systems.com](mailto:sales@assured-systems.com)

Sales: +44 (0)1785 879 050  
Support: +44 (0)1785 879 050

Unit A5 Douglas Park  
Stone Business Park  
Stone  
ST15 0YJ  
United Kingdom

VAT Number: 120 9546 28  
Business Registration Number: 07699660