

W24L100-SPA269-P1

23.8" IP69K Stainless P-Series Display



KEY FEATURES

- 23.8" with Projected Capacitive Multi-Touch (PCAP)
- Fanless cooling system, IP69K Stainless Display
- SUS 316 / AISI 316 stainless steel for food and chemical industries
- Full IP69K waterproof enclosure
- A true flat, easy-to-clean front surface with edge-to-edge design
- Waterproof sealed conduit pipe for cable protection
- Supports VESA mount and Yoke mount stand
- Optical bonding (optional)



SPECIFICATIONS

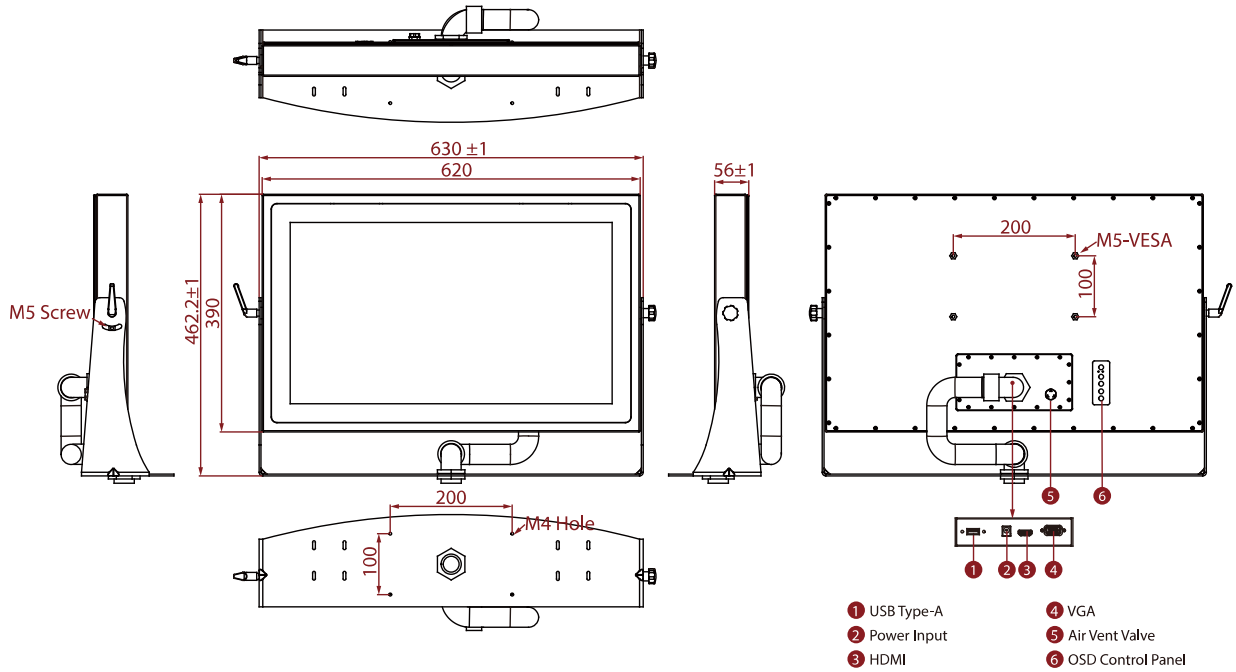
| Display | | | |
|----------------------------|-----------------------------------------------------------------------------------------------------------------------------------------------------------------------------------------------------------------------------------------------------------------|------------------------------|-----------------------------------------------------------------------------------------|
| Resolution | 1920x1080 | Size | 23.8 inches |
| Contrast Ratio | 3000:1 | Panel Brightness | 250 nits |
| Display Color | 16.7M Colors | View Angles | 89,89,89,89 |
| Active Area | 527.04x296.46 mm | Touch / Glass | Projected Capacitive Multi Touch Screen |
| Mechanical | | | |
| Dimension | 620 x 390 x 56 mm | Mounting | VESA Mount Yoke Mount |
| Enclosure | Stainless Housing | Cooling System | Fanless design |
| Environment | | | |
| Operating Humidity | 10% to 90% RH, Non-Condensing | Operating Temperature | 0°C to 45°C |
| Storage Temperature | -20°C to 60°C | IP rating | IP69K |
| Certification | | | |
| Certification | CE, FCC | | |
| IO Ports | | | |
| USB Port | 1x USB type-A for touch screen control | Video | 1x VGA 1x HDMI (Optional) |
| Indicator | 1 x LED Indicator for power 1 x LED Indicator for status | | |
| Control | | | |
| Button | 1 x Power Button 1 x Adjust up button 1 x Adjust down button 1 x ESC (Auto) button 1 x OK (Menu) button | | |
| Accessory | | | |
| Accessory | 1 x Waterproof Conduit 1.5m 1 x Waterproof Conduit 0.3m 2 x Elbow for connect the conduit 1 x AC to DC power adapter with power cord 1 x External USB cable for touchscreen control 1 x External HDMI cable 1 x D-sub15(male) to RJ45 adapter | Optional Accessory | 1 x Open wire cable for phoenix connector (Optional) Yoke mount stand kit (Optional) |

1 x D-sub15(female) to RJ45 adapter
 1 x External RJ45 male to male cable
 Manual
 VESA screws

Power

Power Rating 12V DC

DIMENSIONS UNIT:MM



NOTE

1. This is a simplified drawing and some components are not marked in detail.
2. Please contact our sales representative if you need further product information.
3. All specifications are subject to change without prior notice.
4. The product shown in this datasheet is a standard model. For diagrams that contain customized or optional I/O, please contact the Winmate Sales Team for more information.

Assured Systems

Assured Systems is a leading technology company with over 1,500 regular clients in 80 countries, deploying over 85,000 systems to a diverse customer base in 12 years of business. We offer high-quality and innovative rugged computing, display, networking and data collection solutions to the embedded, industrial, and digital-out-of-home market sectors.

US

sales@assured-systems.com

Sales: +1 347 719 4508
Support: +1 347 719 4508

1309 Coffeen Ave
Ste 1200
Sheridan
WY 82801
USA

EMEA

sales@assured-systems.com

Sales: +44 (0)1785 879 050
Support: +44 (0)1785 879 050

Unit A5 Douglas Park
Stone Business Park
Stone
ST15 0YJ
United Kingdom

VAT Number: 120 9546 28
Business Registration Number: 07699660