

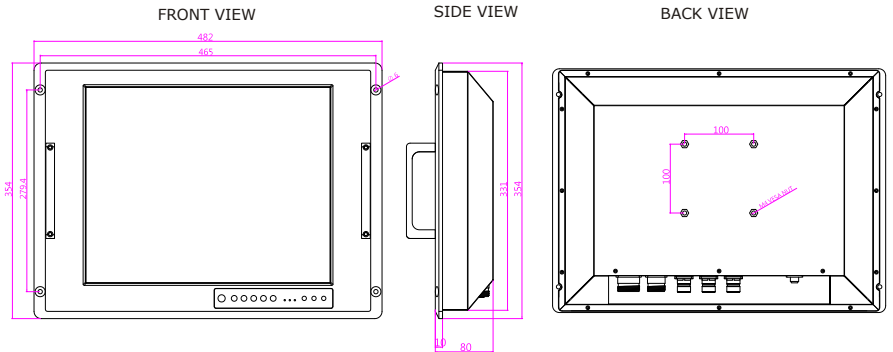
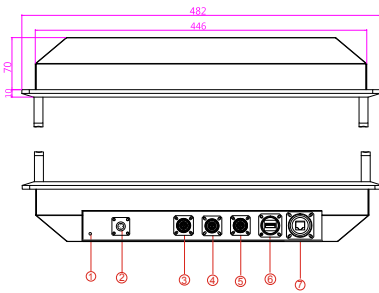
# Military Grade 17" Rack Mount Panel PC (Intel® Core i7 Platform)

MODEL #: R17IH3S-MLA1-89

Mechanical Design



- 17" SXGA TFT-LCD
- Intel® Core i7 4650U 3.30GHz Processor
- Anti-Corrosion Housing / Fanless
- Compliant with MIL-STD-810G/F
- Flush Rack / Rack Mount Mechanical Design (8U)
- Convenient On-Screen Display Controls
- AC 110~240V Power input default / Isolation DC 9~36V Power input (Optional)
- Built-in Light Sensor for auto brightness control
- Military Grade Power Connector (MIL-DTL-38999/1 & 38999/3)



1. Ground
2. AC Power in (MIL-DTL-38999/1)
3. VGA (MIL-DTL-38999/3)
4. RS-232 (MIL-DTL-38999/3)
5. RS-232 (Optional)
6. USB 2.0 A Type (MIL-DTL-38999/3)
7. LAN (MIL-DTL-38999/3)

\* Measurements shown in mm.  
 \* Tolerance of all dimensions is shown as follow 0~30 mm ± 0.1 mm, 30~50 mm ± 0.15 mm, 50~120 mm ± 0.2 mm, above 120 mm ± 0.25 mm.  
 \* Note: this is a simplified drawing and some components are not marked in detail. Please contact our sales representative if you need further product information.

## Display Specification

### Characteristics

- Resolutions : 1280 x 1024
- Brightness : 350 cd/m<sup>2</sup> (typ.)
- Contrast Ratio : 1000 : 1 (typ.)
- Viewing Angles : -85~85(H); -80~80(V)
- Max Colors : 16.7M (Colors)

### System Specifications

- Processor : Intel® Core i7 4650U 3.30GHz
- BIOS : AMI 16Mbit Flash
- Processor Graphics : Intel® HD Graphics 5000
- System Memory : 1 x SO-DIMM DDR3L 1600, Default 4GB
- Lan Controller : Intel® Ethernet Controller 1211-AT + Intel® Gigabit Etherne PHY 1218-LM
- Storage : mSATA SSD, Default 64GB
- Expansion Slot : 1 x Mini PCIe slot (for USB module)

\* A customized housing is needed if you would like to have the PCI expansion.

### Power Specifications

- Power Input : Default AC 110~240V in  
Optional isolation DC 9~36V in

### I/O Connectors

- Plug & Play : VESA DDC 1/2B
- Back Panel I/O Port : 1 x Power Input (MIL-DTL-38999/1)  
1 x VGA (MIL-DTL-38999/3)  
1 x RS232 (MIL-DTL-38999/3)  
1 x USB 2.0 A Type (MIL-DTL-38999/3)  
1 x LAN (MIL-DTL-38999/3)

### Environmental (MIL-STD 810F/G Compliance)

- Vibration : MIL-STD-810F/G Method 514.5
- Humidity : MIL-STD-810F/G Method 507.4
- Transit Drop : MIL-STD-810F/G Method 516.5

### Environment Considerations :

- Operating Temperature : -20°C~60°C Wide temperature solution by request
- Storage Temperature : -30°C~70°C
- Operating Humidity : 95%RH ±3%

### Environmental (MIL-STD 461E/F Compliance)

- RE : RE101 / RE102
- CE : CE 101 / CE102
- Optional with EMI Glass / Touch
- RS : RS101 / RS103
- CS : CS 101 / CS 106 / CS 109 / CS 114 / CS 115 / CS 116

\* If you require external test report, Winmate will charge NRE fee.

### Order Information (Optional)

- Touch : 5 Wires Resistive / 5 Wire Resistive with EMI Coating
- Glass : EMI Coating Glass (Default AR Glass)
- OS : Windows Embedded Standard 7  
Windows Embedded 8 Standar  
Windows Embedded 8.1 Industry  
Windows 10 IoT Enterprise
- Storage : mSATA SSD up to 256GB
- RAM : SO-DIMM DDR3 1666, max up to 8GB
- Power : Optional isolation 9~36V DC in

### Default Accessories

- 1 x MIL-DTL-38999/1 Power cord / Cable
- 1 x MIL-DTL-38999/3 VGA Cable
- 1 x MIL-DTL-38999/3 RS232 Cable
- 1 x Driver & Manual CD



Note: All Specifications are subject to change without prior notice!

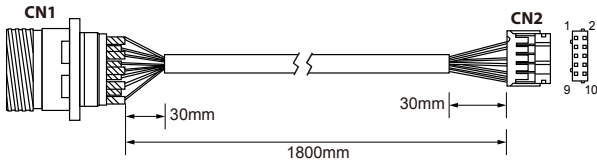
Revised Date: 29-Mar-2019 V1.5

# Military Grade 17" Rack Mount Panel PC (Intel® Core i7 Platform)

MODEL #: R17IH3S-MLA1-89

## Pin Assignment of Cables

### MIL-DTL-38999/3 RS232 Cable

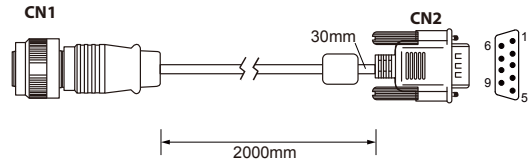


PIN NO.	SYMBOLS	COLOR
CN1-1	R	Red
CN1-2	R-GND	Black
CN1-3	G	Green
CN1-4	G-GND	Black
CN1-5	B	Blue
CN1-6	B-GND	Black
CN1-7	SDA	Yellow
CN1-8	HS	Orange
CN1-9	VS	White
CN1-10	SCL	Brown

PIN NO.	SYMBOLS	COLOR
CN2-4	R	Red
CN2-9	GND	Black
CN2-6	G	Green
CN2-9	GND	Black
CN2-8	B	Blue
CN2-10	GND	Black
CN2-1	SDA	Yellow
CN2-5	HS	Orange
CN2-7	VS	White
CN2-3	SCL	Brown

Coaxial cable  
Coaxial cable  
Coaxial cable

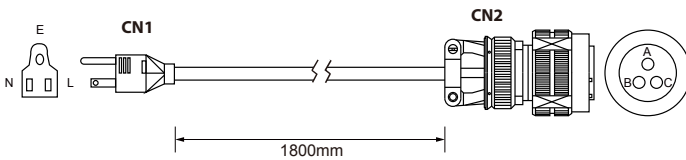
### MIL-DTL-38999/3 VGA Cable



PIN NO.	SYMBOLS	COLOR
CN1-1	DCD	Green
CN1-2	DSR	Brown
CN1-3	RXD	Red
CN1-4	RTS	Orange
CN1-5	TXD	Blue
CN1-6	CTS	White
CN1-7	DTR	Purple
CN1-8	RI	Yellow
CN1-9	GND	Black
Braid		外殼

PIN NO.	SYMBOLS	COLOR
CN2-1	DCD	Green
CN2-6	DSR	Brown
CN2-2	RXD	Red
CN2-7	RTS	Orange
CN2-3	TXD	Blue
CN2-8	CTS	White
CN2-4	DTR	Purple
CN2-9	RI	Yellow
CN2-5	GND	Black
Braid		外殼

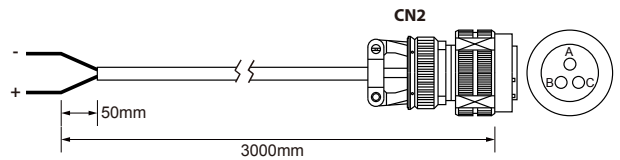
### MIL-DTL-38999/1 AC Power Cable (For US)



PIN NO.	SYMBOLS	COLOR
CN1-1	N	White
CN1-2	L	Black
CN1-3	E	Green

PIN NO.	SYMBOLS	COLOR
CN2-1	A	White
CN2-2	B	Black
CN2-3	C	Green

### MIL-DTL-38999/1 DC Power cable (optional)



PIN NO.	SYMBOLS	COLO
OPEN	VCC+	White
OPEN	VCC-	Black

PIN NO.	SYMBOLS	COLOR
CN2-A	VCC+	White
CN2-B	VCC-	Black

## Assured Systems

Assured Systems is a leading technology company with over 1,500 regular clients in 80 countries, deploying over 85,000 systems to a diverse customer base in 12 years of business. We offer high-quality and innovative rugged computing, display, networking and data collection solutions to the embedded, industrial, and digital-out-of-home market sectors.

### US

[sales@assured-systems.com](mailto:sales@assured-systems.com)

Sales: +1 347 719 4508  
Support: +1 347 719 4508

1309 Coffeen Ave  
Ste 1200  
Sheridan  
WY 82801  
USA

### EMEA

[sales@assured-systems.com](mailto:sales@assured-systems.com)

Sales: +44 (0)1785 879 050  
Support: +44 (0)1785 879 050

Unit A5 Douglas Park  
Stone Business Park  
Stone  
ST15 0YJ  
United Kingdom

VAT Number: 120 9546 28  
Business Registration Number: 07699660