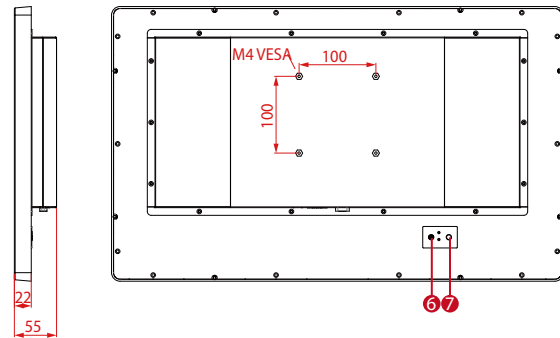
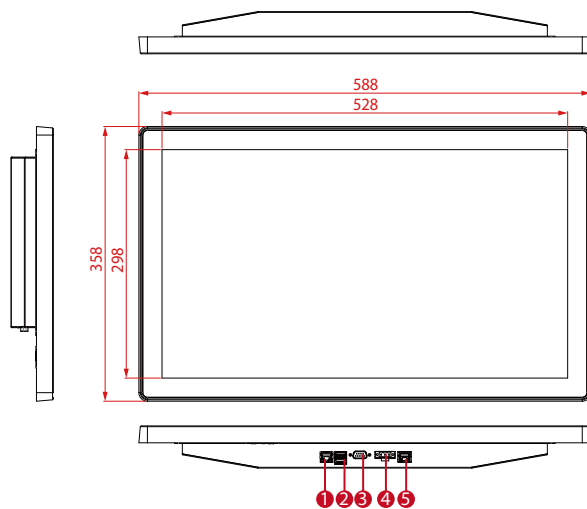


23.8" GC65 Panel PC (Standard I/O) - W24IP3S-GCA2

Features

- 23.8" 1920 x 1080 with P-CAP touchscreen
- Intel® Pentium® N4200 Apollo Lake Processor
- Fanless cooling system and ultra low power consumption
- Front IP65 for protection against water and dust
- A true flat, easy-to-clean front surface with edge-to-edge design



1. RJ-45 (LAN)
2. USB 3.0
3. RS232/422/485
4. 12V DC Terminal Block
5. RJ-45 (LAN)
6. Power On Button
7. Power Reset Button

Specifications

System

- Processor : Intel® Pentium® Processor N4200 (2M Cache, up to 2.5 GHz)
- System Memory : 2GB DDR3L 1866 SO-DIMM (Optional 8 GB)
- Storage : 64GB M.2 SSD (Default)
- LAN : Dual Intel® I210-AT GbE LAN

Input / Output

- Serial Port : 1 x RS-232/422/485
- USB Port : 2 x USB 3.0
- Ethernet : 1 x RJ-45-10/100/1000 Mbps, 1 x RJ-45

Environment Considerations

- Operating Temperature : 0 °C to 50 °C
- Operating Humidity : 10% to 90% (non-condensing)
- IP Rating : Front IP65

Power Spec

- Power Input : 12V DC in
- Power Consumption : 29W

Display Spec

- Panel Size : 23.8" TFT
- Resolutions : 1920 x 1080
- Brightness : 250 cd/m (typ.)
- Contrast Ratio : 3000 : 1 (typ.)
- Viewing Angle : -89~89(H); -89~89(V)
- Max Colors : 16.7M
- Touch screen : Projected Capacitive Multi-Touch

Mechanical Specification

- Mounting : VESA Mount (100 x 100 mm), Panel Mount
- Dimensions (W x H x D) : 588 x 358 x 55 mm
- Cutout Dimensions : 388 x 280 (mm)

Operating System

- Windows 10 IoT Enterprise

Security Support

- Trusted Platform Module (TPM 2.0)

Assured Systems

Assured Systems is a leading technology company with over 1,500 regular clients in 80 countries, deploying over 85,000 systems to a diverse customer base in 12 years of business. We offer high-quality and innovative rugged computing, display, networking and data collection solutions to the embedded, industrial, and digital-out-of-home market sectors.

US

sales@assured-systems.com

Sales: +1 347 719 4508
Support: +1 347 719 4508

1309 Coffeen Ave
Ste 1200
Sheridan
WY 82801
USA

EMEA

sales@assured-systems.com

Sales: +44 (0)1785 879 050
Support: +44 (0)1785 879 050

Unit A5 Douglas Park
Stone Business Park
Stone
ST15 0YJ
United Kingdom

VAT Number: 120 9546 28
Business Registration Number: 07699660