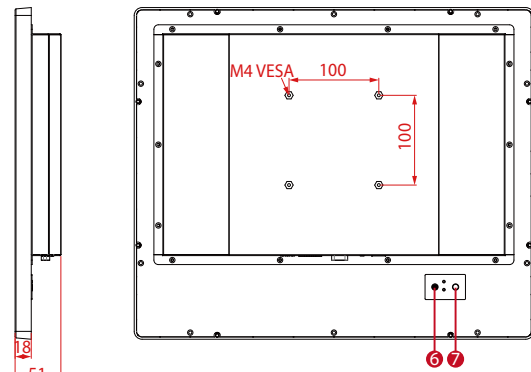
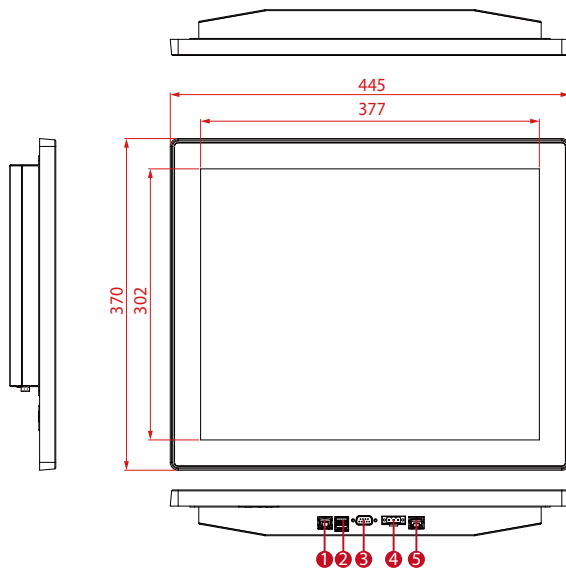


# 19" GC65 Panel PC (Standard I/O) - R19IP3S-GCM1

## Features

- 19" 1280 x 1024 with P-CAP touchscreen
- Intel® Pentium® N4200 Apollo Lake Processor
- Fanless cooling system and ultra low power consumption
- Front IP65 for protection against water and dust
- A true flat, easy-to-clean front surface with edge-to-edge design



1. RJ-45 (LAN)
2. USB 3.0
3. RS232/422/485
4. 12V DC Terminal Block
5. RJ-45 (LAN)
6. Power On Button
7. Power Reset Button

## Specifications

### System

- Processor : Intel® Pentium® Processor N4200 (2M Cache, up to 2.5 GHz)
- System Memory : 2GB DDR3L 1866 SO-DIMM (Optional 8 GB)
- Storage : 64GB M.2 SSD (Default)
- LAN : Dual Intel® I210-AT GbE LAN

### Input / Output

- Serial Port : 1 x RS-232/422/485
- USB Port : 2 x USB 3.0
- Ethernet : 1 x RJ-45-10/100/1000 Mbps, 1 x RJ-45

### Environment Considerations

- Operating Temperature : 0 °C to 50 °C
- Operating Humidity : 10% to 90% (non-condensing)
- IP Rating : Front IP65

### Power Spec

- Power Input : 12V DC in
- Power Consumption : 27 W

### Display Spec

- Panel Size : 19" TFT
- Resolutions : 1280 x 1024
- Brightness : 250 cd/m (typ.)
- Contrast Ratio : 1000 : 1 (typ.)
- Viewing Angle : -85~85(H); -80~80 (V)
- Max Colors : 16.7M
- Touch screen : Projected Capacitive Multi-Touch

### Mechanical Spec

- Mounting : VESA Mount (100 x 100 mm), Panel Mount
- Dimensions (W x H x D) : 445 x 370 x 51 mm
- Cutout Dimensions : 388 x 280 (mm)

### Operating System

- Windows 10 IoT Enterprise

### Security Support

- Trusted Platform Module (TPM 2.0)

## Assured Systems

Assured Systems is a leading technology company with over 1,500 regular clients in 80 countries, deploying over 85,000 systems to a diverse customer base in 12 years of business. We offer high-quality and innovative rugged computing, display, networking and data collection solutions to the embedded, industrial, and digital-out-of-home market sectors.

### US

[sales@assured-systems.com](mailto:sales@assured-systems.com)

Sales: +1 347 719 4508  
Support: +1 347 719 4508

1309 Coffeen Ave  
Ste 1200  
Sheridan  
WY 82801  
USA

### EMEA

[sales@assured-systems.com](mailto:sales@assured-systems.com)

Sales: +44 (0)1785 879 050  
Support: +44 (0)1785 879 050

Unit A5 Douglas Park  
Stone Business Park  
Stone  
ST15 0YJ  
United Kingdom

VAT Number: 120 9546 28  
Business Registration Number: 07699660