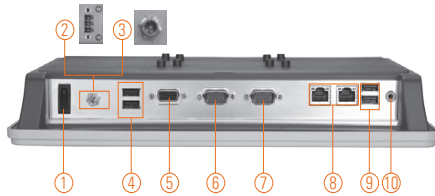


GOT5120T-834

12.1" XGA TFT Fanless Touch Panel with Intel® Celeron® Processor J1900

NEW



- | | |
|---------------------------------------|---------------------------|
| 1. Power switch (ATX) | 6. COM 1 (RS-232/422/485) |
| 2. Terminal block for DC power input | 7. COM 2 (RS-232/422/485) |
| or 3. Screw conn. w/ AC power adapter | 8. Ethernet x 2 |
| 4. USB 2.0 x 2 | 9. USB 3.0 x 2 |
| 5. VGA | 10. Audio (Line-out) |



Introduction

The GOT5120T-834 is a 12.1" Intel® Celeron®-based fanless touch panel computer. In response to market demand, this panel computer is a cost effective solution. It adopts a modern, super sleek and fanless design and is equipped with a 12.1" TFT LCD as well as Intel® Celeron® Processor J1900 4C@2.0 GHz CPU. For wireless network connection, the GOT5120T-834 offers 2 mini card slots. By just plugging in the mini card WLAN card, customers can have instant access to wireless LAN/GPRS/GSM/3G environments. Besides, it provides two types of power input. One is DC power input (9-36VDC) with terminal block connector. The other is AC power adapter with screw type connector.

Super slim & ultra light design

The GOT5120T-834 is a super slim touch panel computer for space-limited environment with its thickness of 52mm and weight of 2.4 kg only, which make it installed everywhere.

Built-in internal WLAN antenna

The GOT5120T-834 provides 2 mini card slots and a built-in WLAN antenna for wireless network connections. By simply plugging in the wireless LAN card, customers can use the GOT5120T-834 in a wireless LAN/GPRS/GSM/3G environments.

Excellent thermal solution: aluminum back chassis

With Axiomtek's patent for plastic plus aluminum mechanism design, the GOT5120T-834 can dissipate the heat easily and keep the system operation stable.

Features

- 12.1" XGA color TFT LCD display with LED backlight
- Fanless design with Intel® Celeron® Processor J1900 4C
- Supports WLAN module & internal antenna
- Supports 2 Giga LAN, 4 USB & 2 COM ports
- Easy for expansion: PCIe Mini card slots
- Supports panel mount, wall mount, VESA arm, desktop stand (optional)
- Supports speaker (optional)



▲ Side view



▲ Desktop stand

Specifications

Front Bezel	IP65, NEMA 4 rugged protection, plastic front bezel	
LCD Panel	Display Type	12.1" XGA TFT LCD with LED backlight
	Brightness (cd/m ²)	500 nits (XGA)
	Resolution	1024 x 768 (XGA)
Viewing Angel (H/V)	160°/140°	
	Main System	CPU
System Memory	1 x 204-pin DDR3L SO-DIMM max. up to 8 GB	
	BIOS	AMI UEFI BIOS
Storage	1 x 2.5" SATA HDD	
	1 x CFast™ or mSATA	
Watchdog Timer	255 levels, 0-255 sec.	
Onboard Graphics	Integrated in Intel® GFX	

Specifications

I/O Connector	2 x RS-232/422/485 1 x VGA 1 x Audio (Line-out) 2 x USB 2.0 2 x USB 3.0 2 x 10/100/1000Mbps Ethernet (w/Intel® i210IT)
Expansion Interface	1 x Full-Size Mini PCI Express Mini Card with mSATA supported 1 x Full-Size Mini PCI Express Mini Card with SIM Slot
Touchscreen	Resistive type
Power Input	1. DC version: 9-36VDC with fuse over-current protection fuse 2. AC version: 100-240V AC-DC 60W power adapter
Dimensions	327.5 mm (12.9") (W) x 52.5 mm (2.07") (D) x 261.8 mm (10.3") (H)
Packing Dimensions	455 mm (17.91") (W) x 105 mm (4.13") (D) x 340 mm (13.39") (H)
Weight (net/gross)	2.48 kg (5.46 lb)/3.84 kg (8.46 lb)
Environment	Operating temperature: 0° ~ +50°C (+32°F ~ +122°F) (with W.T. DRAM/HDD in airflow condition) 0° ~ +45°C (+32°F ~ +113°F) (with W.T. DRAM/HDD) Storage Temperature: -30°C ~ +80°C (-22°F ~ +176°F) Relative humidity: 10% ~ 95% @ 40°C; non-condensing Operation vibration: 2G, .5 ~ 500Hz, random for CFast™
Certification	CE-EMC class A (GOT5120T-834) CE-EMC class B (GOT5120T-834-J)

* Specification and certifications are based on options and may vary.
** W.T.: Wide Temperature. All W.T. supported products have to be sorted by Axiomtek.

Ordering Information

GOT5120T-832-XGA	12.1" XGA Intel® Celeron® Processor J1900 4C fanless touch panel computer with terminal block connector
GOT5120T-832-J-XGA	12.1" XGA Intel® Celeron® Processor J1900 4C fanless touch panel computer with screw type connector & AC-DC 60W power adapter, EMI class B.
E225840102	Desktop stand

* Specification and certifications are based on options and may vary.

Optional EOS Installation

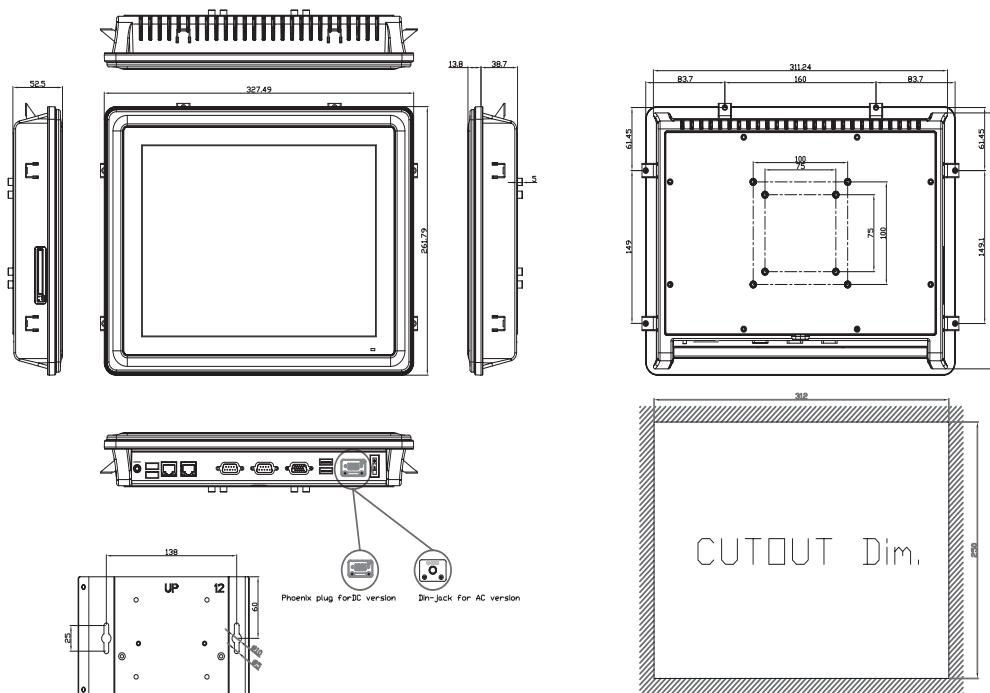
WE8S
WE57

Optional OS Installation

Windows® 8
Windows® 7



Dimensions



* All specifications and photos are subject to change without notice.

Overview

1

Industrial Panel Computers & Monitors

Heavy-duty Fanless Touch Panel Computers

Digital Signage Solutions

Healthcare & Medical Solutions

Open Frame Panel Computers

Accessories

Assured Systems

Assured Systems is a leading technology company with over 1,500 regular clients in 80 countries, deploying over 85,000 systems to a diverse customer base in 12 years of business. We offer high-quality and innovative rugged computing, display, networking and data collection solutions to the embedded, industrial, and digital-out-of-home market sectors.

US

sales@assured-systems.com

Sales: +1 347 719 4508
Support: +1 347 719 4508

1309 Coffeen Ave
Ste 1200
Sheridan
WY 82801
USA

EMEA

sales@assured-systems.com

Sales: +44 (0)1785 879 050
Support: +44 (0)1785 879 050

Unit A5 Douglas Park
Stone Business Park
Stone
ST15 0YJ
United Kingdom

VAT Number: 120 9546 28
Business Registration Number: 07699660