

R15IK3S-SPC369-P1

15" Intel® Core™ i5 IP69K Stainless P Series Panel PC



KEY FEATURES

- Intel® Core™ i5-7200U, 2.50 GHz
- Fanless cooling system
- SUS316 / AISI 316 stainless steel for food and chemical industries
- Full IP69K waterproof enclosure
- A true flat, easy-to-clean front surface with edge-to-edge design
- Waterproof sealed conduit pipe for cable protection
- Support VESA mount, and optional Yoke mount stand
- Support Glove/ Rain mode
- Optical bonding (optional)



SPECIFICATIONS

| Display | | | |
|----------------------------|--|------------------------------|--|
| Resolution | 1024x768 | Size | 15 inches |
| Contrast Ratio | 2000:1 | Panel Brightness | 300 nits |
| View Angles | 88,88,88,88 | Active Area | 304.1x228.1 mm |
| Touch / Glass | Projected Capacitive Multi Touch Screen | | |
| System Specification | | | |
| Processor | Intel® Core™ i5-7200U (3M Cache, up to 3.10 GHz) Intel® Core™ i5-7300U (3M Cache, up to 3.50 GHz) | Memory | 1 x SO-DIMM, DDR4 2133 MHz, 4GB 8GB (Optional) 16GB (Optional) |
| Storage | 1 x M.2 2242 SSD 128GB M.2 2242 SSD up to 512GB (Optional) | Ethernet controller | Intel® Ethernet Controller I211-AT + Intel® Ethernet Connection I219-LM |
| Security | TPM 2.0 | Operating System | Windows 10 IoT Enterprise (Optional) Linux Ubuntu 18.04 (Optional) |
| WLAN | Support (Optional) | BT | Support (Optional) |
| Mechanical | | | |
| Dimension | 378 x 301 x 56.2 mm | Mounting | VESA Mount Yoke Mount |
| Enclosure | Stainless Housing | Cooling System | Fanless design |
| Environment | | | |
| Operating Humidity | 10% to 90% (non-condensing) | Operating Temperature | 0~45°C |
| Storage Temperature | -20~60°C | IP rating | IP69K |
| Certification | | | |
| Certification | CE, FCC | | |
| IO Ports | | | |
| USB Port | 2 x USB3.0 (Type-A) | Serial Port | 1 x RS232/422/485 (Default RS232) |
| Video | 1 x HDMI 1.4 | LAN | 2 x Giga LAN RJ45 Connector |
| Indicator | 1 x LED Indicator on power button | | |
| Control | | | |

Button 1 x Power Button

Accessory

Accessory 1 x Waterproof Conduit 1.5m
1 x Waterproof Conduit 0.3m
2 x Elbow for connect the conduit
1 x AC to DC power adapter with power cord
1 x D-sub9(male) to RJ45 adapter
1 x D-sub9(female) to RJ45 adapter
1 x External RJ45 male to male cable
Driver CD & Manual
VESA screws

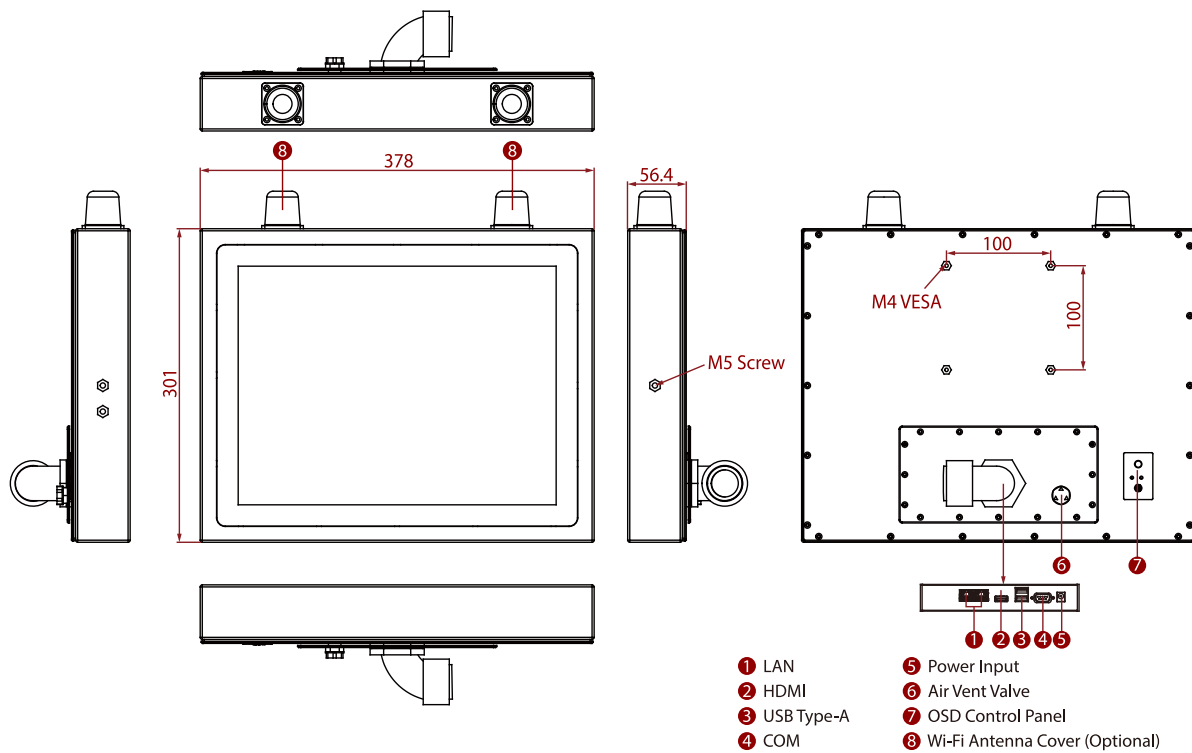
Optional Accessory 1 x Open wire cable for phoenix connector (Optional)
Yoke mount stand kit (Optional)

Power

Power Rating 12V DC input

DIMENSIONS UNIT:MM

Winmate R15IK3S-SPC369-P1



NOTE

1. The yoke mount stand kit is an optional accessory.
2. Wi-Fi antenna is an optional feature.
3. The product shown in this datasheet is a standard model. For diagrams that contain customized or optional I/O, please contact the Winmate Sales Team for more information.

Assured Systems

Assured Systems is a leading technology company with over 1,500 regular clients in 80 countries, deploying over 85,000 systems to a diverse customer base in 12 years of business. We offer high-quality and innovative rugged computing, display, networking and data collection solutions to the embedded, industrial, and digital-out-of-home market sectors.

US

sales@assured-systems.com

Sales: +1 347 719 4508
Support: +1 347 719 4508

1309 Coffeen Ave
Ste 1200
Sheridan
WY 82801
USA

EMEA

sales@assured-systems.com

Sales: +44 (0)1785 879 050
Support: +44 (0)1785 879 050

Unit A5 Douglas Park
Stone Business Park
Stone
ST15 0YJ
United Kingdom

VAT Number: 120 9546 28
Business Registration Number: 07699660