

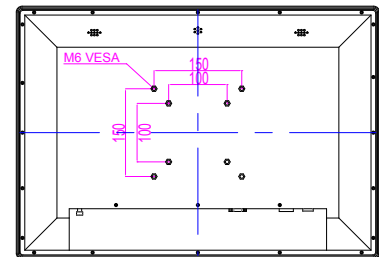
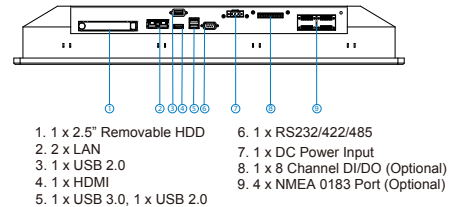
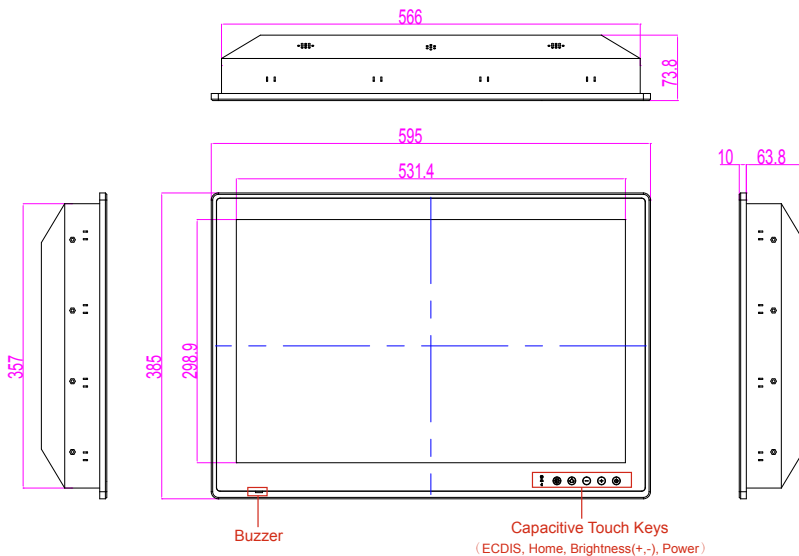


# 24" Flat P-CAP Marine Panel PC

Model#: W24IB3S-MRA1FP

**Features :**

- 24" 1920 x 1080 resolution with projective capacitive multi-touch screen
- Edge-to-edge narrow bezel design and fanless cooling system
- Color calibrated for ECDIS compliance
- Capacitive touch keys for quick function access and display control (Support ECDIS DAY, DUSK, and NIGHT mode switching)
- Optional 4 x COM port (NMEA 0183 protocol) 422/485 switchable via software
- Compliant with marine standards (DNV2.4, IEC 60945 4th, IACS-E10)
- Support capacitive touch key lock / touchscreen lock function



\* Note: this is a simplified drawing and some components are not marked in detail. \*Please contact our sales representative if you need further product information.

**Display Specifications :**

Resolution	: 1920 x 1080
Pixel Pitch	: 0.276 (H) x 0.276 (V) mm
Contrast Ratio	: 5000:1(typ.)
Brightness	: 350 cd/m <sup>2</sup> (typ.)
Viewable Angle	: 89°/89°/89°/89° (typ.) (Up/Down/Left/Right)
Active Display Area	: 531.36(H)x 298.89 (V) mm
Max Colors	: 16.7 M colors, 8 bits/color
Touch Screen	: Projective Capacitive Multi-touch (Optional AR Protection Glass)

**System Specifications :**

Processor	: Intel® Celeron® Bay Trail-M N2930 1.83GHz
System Chipset	: Intel® ATOM™ SoC Integrated
System Memory	: 1 x DDR3L-1066 SODIMM (Default 4GB, Max 8GB)
Ethernet	: Dual Ethernet Gb LAN
Storage	: 64GB mSATA SSD (Up to 256GB)
Second Storage	: 2.5" Removable Storage Tray
Speaker	: 2 x 2W Speaker
Buzzer	: 75 dB~80 dB, 2300 Hz, 1m

**Power Specifications :**

Power Input	: 24V DC-in with Isolation (9~36V acceptable)
Power Consumption	: 80W (Max)

**Certification**

DNV 2.4, IEC60945 4th, CE, FCC

**Mechanical**

Mechanical Mounting	: Panel Mount, VESA Mount
Dimension	: 595mm x 385mm x 63.8mm
Panel Mount Cutout	: 572mm x 363mm
Housing	: Anodized Aluminum Bezel
IP Rating	: IP66 (Front Side)

**Environmental**

Operating Temperature	: -15 to 55 deg.C
Operating Humidity	: 5% to 95% (non condensing)
Anti-Vibration	: 0.7g@DNV2.4 (Class A)
Anti-Shock	: 15G,11ms duration

**Input / Output Connectors**

Ethernet LAN	: 2 x RJ45
COM (D-SUB)	: 1 x RS232/422/485
USB	: 2 x USB2.0 , 1 x USB3.0
HDMI	: 1 x HDMI
NMEA Interface	: 4 x NMEA 0183 Port (Optional)
Digital IN/OUT	: 8 Channel Isolated Digital Input/Output (Optional)
DC power	: 1 x 3-Pin Terminal Block (Phoenix type)

**OS Support :**

Operating System (Optional) : Windows Embedded 8.1 Industry PRO  
Windows Embedded 8 Std.  
Windows Embedded Std. 7  
Windows 7 PRO for Embedded System

## Assured Systems

Assured Systems is a leading technology company with over 1,500 regular clients in 80 countries, deploying over 85,000 systems to a diverse customer base in 12 years of business. We offer high-quality and innovative rugged computing, display, networking and data collection solutions to the embedded, industrial, and digital-out-of-home market sectors.

### US

[sales@assured-systems.com](mailto:sales@assured-systems.com)

Sales: +1 347 719 4508  
Support: +1 347 719 4508

1309 Coffeen Ave  
Ste 1200  
Sheridan  
WY 82801  
USA

### EMEA

[sales@assured-systems.com](mailto:sales@assured-systems.com)

Sales: +44 (0)1785 879 050  
Support: +44 (0)1785 879 050

Unit A5 Douglas Park  
Stone Business Park  
Stone  
ST15 0YJ  
United Kingdom

VAT Number: 120 9546 28  
Business Registration Number: 07699660