

M101BT

10.1" Rugged Tablet PC



KEY FEATURES

- 10.1" 1280 x 800 IPS LED Panel with direct optical bonding
- Built-in Smart Card Reader
- Intel® Quad Core™ N2930 Bay Trail-M Processor
- IP65 waterproof and dustproof
- Optional 1D/2D Barcode Reader for data collection
- Optional extendable UHF RFID Reader
- Rated for extreme temperature use

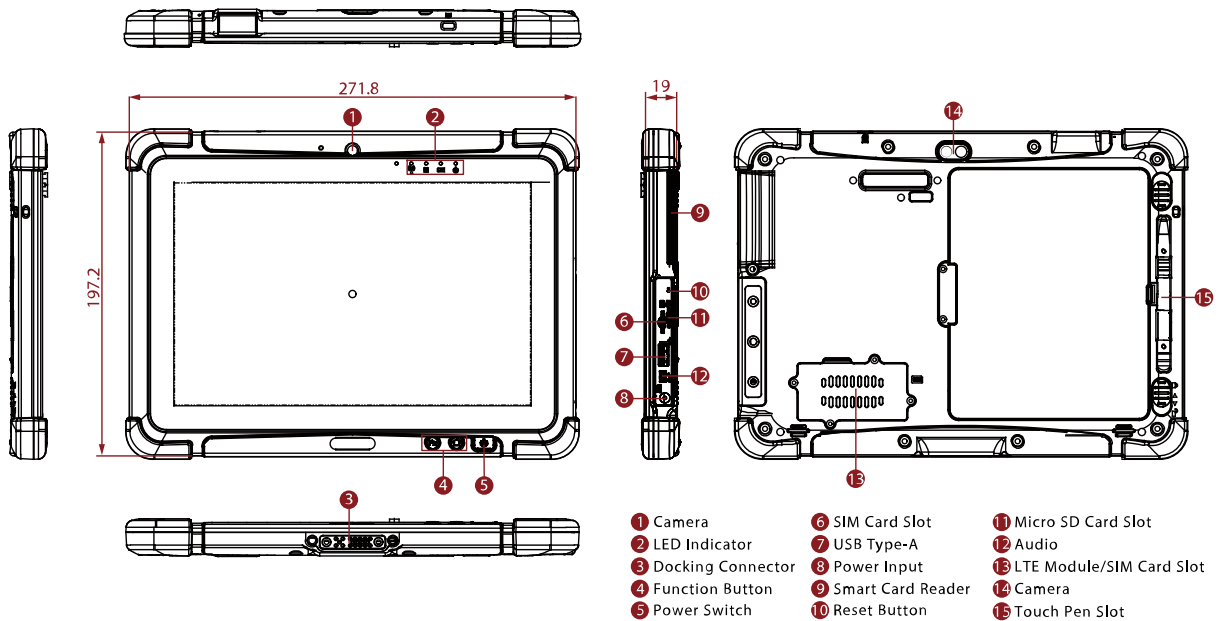


SPECIFICATIONS

Display	
Resolution	1280x800
Contrast Ratio	800:1
View Angles	85,85,85,85
Touch Mode	Support Hand / Gloves and Rain Mode
Size	10.1 inches
Panel Brightness	350 nits
Type	Projected Capacitive Multi Touch
Bonding	Optical Bonding for Sunlight Viewability
System Specification	
Processor	Intel Quad Core N2930 Bay Trail-M Processor 1.83 GHz
Storage	64GB mSATA solid state drive SSD Optional 256GB, up to 128GB additional storage with optional microSDXC card slot
Operating System	Windows 10 IoT Enterprise Windows Embedded 8.1 Industry Pro Windows 7 Pro for Embedded System
Memory	4GB DDR3L SDRAM(up to 8GB)
BT	Support
GNSS	GPS
Security	Password security for user and hard disk lock Trusted Platform Module (TPM) 1.2 Computrace theft protection agent
WLAN	802.11 a/b/g/n
WWAN	4G LTE (Optional)
RFID	Optional HF RFID 13.56 MHz reader Optional UHF RFID • EPCglobal Gen2 (ISO 18000-6C) protocol (IP-X and ISO 18000-6B optional) • Read Range: 3+ meters for 2x8 cm UHF tags in unobstructed space
Sensors	Light sensor/ g-sensor / Gyro / E-compass
Smart Card Reader	Optional
Camera	
Front Camera	2MP Front Camera
Rear Camera	5MP Rear Camera with auto-focus and LED light
Mechanical	
Dimension	271.8 x 197.2 x 19 mm (10.7 x 7.76 x 0.75 inches)
Weight	1.2 kg (2.7 lbs) with standard battery, 1.4 kg (3.1 lbs) with optional high capacity battery
Cooling System	Fanless design
IO Ports	
USB Port	1 x USB3.0
SD Card Slot	1 x Micro SD Slot
SIM Card Slot	1 x SIM card slot
Video	1 x Micro HDMI(Optional)
Audio	1 x Audio combo 3.5mm audio combo jack (Mic in or Line Out) Single Mic Built-in Microphone Dual Speaker
Expansion Port	1 x Expansion Connector for USB2.0 / Full RS232 (Optional)

LAN	1 x 30-pin Combo connector (Gigabit-LAN/RS232)	Indicator	4x LED Indicator for Power, Battery, HDD, RF status
Docking Connector	1 x 19-pin docking connector		
Environment			
Operating Humidity	10% to 90% RH, non-condensing	Operating Temperature	-20°C to 60°C (AC mode), -10°C to 50°C (Battery mode)
Storage Temperature	-30°C to 70°C (-22°F to 158°F)	Shock	MIL-STD-810G Method 516.6 Procedure I
Vibration	MIL-STD-810G Method 514.6 Procedure I	IP rating	IP65 certified, dustproof and waterproof
Drop	MIL-STD-810G Method 516.6, 4 ft		
Certification			
Certification	CE, FCC,UL,PTCRB,Verizon		
Security Function			
SOTI MobiControl	Compliance	Kensington Lock	Support
Control			
Button	1 x Power, 1 x Home, 2 x volume key, 2 x Programmable Function Keys		
Power			
Battery	7.4V, typ. 5140 mAh Li-Polymer Battery (2S1P) 7.4V, typ. 10280 mAh Li-Polymer Battery (2S2P, optional)	Battery Operating Time	Standard. Battery: 8 hours High Capacity Battery: 16 hours
Power Rating	12-19V DC	Adapter	100-240V, 50-60Hz / 19V DC
Accessory			
Accessory	Adapter and Power Cord Capacitive Stylus Standard Battery	Optional Accessory	Desk Dock Vehicle Dock (without VGA output) Vehicle Cradle Vehicle Charger High Capacity Battery Battery Charger Smart Card Reader UHF RFID Reader VESA Mount Kit Hand Strap Shoulder Strap Carry Bag
Barcode Scanner			
Barcode Scanner	Optional 1D/2D barcode reader		

DIMENSIONS UNIT:MM



NOTE

1. Total usable memory will be less dependent upon actual system configuration.
2. TPM 1.2 available upon request.
3. Computrace theft protection and SOTI are available upon request
4. Length measurements do not include protrusions. Weight varies with options and a digitizer pen.
5. The drop test with a high-capacity battery must come with a hand strap.
6. Measured at dimming LCD brightness. Varies depending on the usage conditions, or when an external device is attached.
7. Accessories and integrated options may vary depending on your configuration.
8. This is a simplified drawing and some components are not marked in detail.
9. The product shown in this datasheet is a standard model. For diagrams that contain customized or optional I/O, please contact the Winmate Sales Team for more information.

Assured Systems

Assured Systems is a leading technology company with over 1,500 regular clients in 80 countries, deploying over 85,000 systems to a diverse customer base in 12 years of business. We offer high-quality and innovative rugged computing, display, networking and data collection solutions to the embedded, industrial, and digital-out-of-home market sectors.

US

sales@assured-systems.com

Sales: +1 347 719 4508
Support: +1 347 719 4508

1309 Coffeen Ave
Ste 1200
Sheridan
WY 82801
USA

EMEA

sales@assured-systems.com

Sales: +44 (0)1785 879 050
Support: +44 (0)1785 879 050

Unit A5 Douglas Park
Stone Business Park
Stone
ST15 0YJ
United Kingdom

VAT Number: 120 9546 28
Business Registration Number: 07699660