

VBOX-3122

Taiwan Patent No. M447854

Intel® 11th Gen Core™ 1185G7E CPU 2x LAN/ 2x HDMI/ 1x DVI/ 2x COM/ DC 9-60V Input In-Vehicle Computer

Features

- Intel® 11th Gen Core™ i7-1185G7E
- 3 x M.2 & 2 x mPCIe Slots for WWAN / Wi-Fi / SSD /GPS / CAN Expansion
- 9V - 60VDC Wide Power Input
- Smart Vehicle Power Management
- 2 x RS-232/422/485 Serial Port
- 4 x DI / 4 x DO / 2 x Analog Input



Introduction

The VBOX-3122 Series is a robust line of in-vehicle computers designed for high-performance and reliable operation in challenging mobile environments. Powered by the Intel® 11th Gen Core™ i7-1185G7E CPU, these systems are equipped to handle demanding applications with ease. Key features include a wide range power input (9V-60VDC), intelligent vehicle power ignition, and an array of communication interfaces. With expansion slots supporting WWAN, Wi-Fi, GPS, and CAN modules, the series ensures seamless wireless connectivity. Two RS-232/422/485 serial ports, four digital inputs/outputs, and two analog inputs provide versatile interfacing options. Additionally, the system offers multiple video outputs with 2 HDMI and 1 DVI ports. The VBOX-3122 Series, engineered for the diverse needs of modern vehicular systems, is a testament to the convergence of advanced computing technology with rugged, mobile applications.

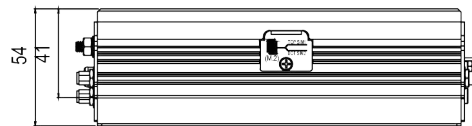
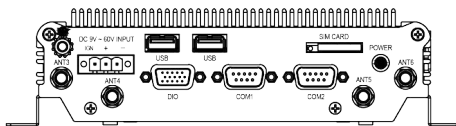
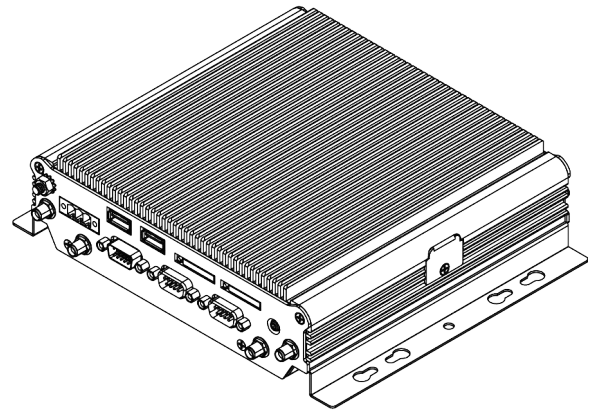
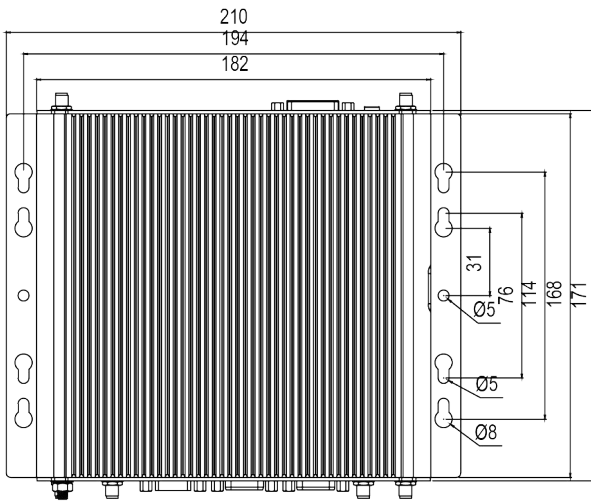
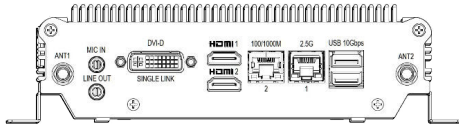
Specifications

System		Environmental	
CPU	Intel® 11th Gen Core™ i7-1185G7E up to 2.8 GHz*	Operating Temp.	-40 ~ 70°C (with SSD), ambient w/ 0.6m/s airflow
	Intel® 11th Gen Core™ i5-1145G7E up to 2.6 GHz*	Storage Temp.	-40 ~ 80°C
	Intel® 11th Gen Core™ i3-1115G4E up to 3.0 GHz*	Relative Humidity	10% RH – 90% RH (non-condensing)
	Intel® Celeron® 6305E 1.8 GHz *CPU TDP is configured at 15W as the default setting.	Vibration (with SSD)	IEC60068-2-64, random, 2.5G@5-500Hz, 1hr/axis MIL-STD-810G, Method 514.6, Procedure I, Cat.4, DUT Operating
Memory	1 x DDR4-3200 SO-DIMM up to 32 GB	Shock	MIL-STD-810G, Method 516.6, Procedure I, Trucks and semi-trailers=15G (11ms) with SSD, DUT Operating
Graphics	Intel® Iris® Xe / UHD Graphics (for Celeron® 6305E only)	Certifications / Approvals	CE, FCC Class A, E-Mark
Network	1 x Intel® 2.5GbE supports vPro for Core i5 & i7 SKU 1 x Intel® Gigabit Ethernet	Storage	
Watchdog	1 ~ 255 Level Reset	Type	1 x SATA Connector for 2.5" SATA HDD/SSD 1 x M.2 2280 Key M for NVMe SSD
Security	TPM 2.0	Power Requirement	
I/O		Power Input	DC 9 - 60V Input
Serial Port	2 x RS-232/422/485	Power Mgmt.	Ignition Management for Variety Vehicle
USB Port	2 x USB 3.2 Gen 2, 2 x USB 2.0	Power Off Control	Power off delay time setting by BIOS and SINTRONES utility
Ethernet	2 x RJ-45 Ports for 1 x 2.5GbE and 1 x GbE	UPS (Optional)	Internal battery Kit for about 10 mins operating *UPS backup time varies depending on actual overall system power consumption. *Operating temperature will be 0-55°C with the battery kit. Patent No. : M447854 - Build-in Battery
Video Port	2 x HDMI 2.0b, 1 x DVI-D *Only supports Single-Link DVI-D cables	Mechanical	
GPIO Port	4 x DI (9-60V) / 4 x DO (5V / 100mA) 2 x Analog Input (0-60V w/0.5V accuracy)	Construction	Aluminum Alloy
Audio	1 x MIC-in, 1 x Line-out	Mounting	Wall-mount, VESA-mount, Din Rail Mounting Kit
Expansion Bus	1 x M.2 3042/52 Key B Slot w/ 2 x SIM Card Sockets for WWAN expansion	Weight	1,800g
	1 x M.2 2230 Key E slot for Wi-Fi/BT module	Dimensions	210 x 171 x 54 mm (w/ mounting kit)
	1 x mPCIe Full-size slot supports USB 3.0 and USB 2.0 w/ SIM card slot		
	1 x mPCIe Full-size Slot supports PCIe 3.0 x1 and USB 2.0		
Antenna	6 x Pre-cut Hole for External SMA Antenna		
Software			
Operating System	Windows 10/11 IoT 64-bit, Ubuntu 20.04/22.04 LTS 64-bit		

All specifications are subject to change without notice.

Dimensions

Unit : mm



Ordering Information

Part Number	VBOX-3122-zz zz=i7=Core™ i7-1185G7E, zz=i5=Core™ i5-1145G7E, zz=i3=Core™ i3-1115G4E; zz=C1=Celeron® 6305E
Description	Intel® 11th Gen Core™ i7 / i5 / i3 / Celeron® Processor with 2 x LAN/ 2 x HDMI/ 1 x DVI/ 2 x COM/ DC IN 9-60V In-Vehicle Computer
State of Origin	Made in Taiwan

Optional Accessories

DRAM	DDR4 SO-DIMM 3200 4GB~32GB (-40~85°C)
SATA SSD	2.5 Inch SATA SSD TLC 128GB~1TB (-40~85°C) M.2 2280 Key M NVMe 256 GB~1 TB TLC (-40~85°C)
Wi-Fi / BT Module	M.2 2230 Key A+E Wi-Fi 6 + Bluetooth 5.2 module
WWAN Modem	M.2 3042/52 5G/LTE modem
GPS	mPCIe GPS module
CAN Bus	mPCIe CAN module
Battery Backup Kit	BAT-3000 kit 1150mAH 3S1P Battery kit (-10~60°C for Discharge)

All specifications are subject to change without notice.

Assured Systems

Assured Systems is a leading technology company with over 1,500 regular clients in 80 countries, deploying over 85,000 systems to a diverse customer base in 12 years of business. We offer high-quality and innovative rugged computing, display, networking and data collection solutions to the embedded, industrial, and digital-out-of-home market sectors.

US

sales@assured-systems.com

Sales: +1 347 719 4508
Support: +1 347 719 4508

1309 Coffeen Ave
Ste 1200
Sheridan
WY 82801
USA

EMEA

sales@assured-systems.com

Sales: +44 (0)1785 879 050
Support: +44 (0)1785 879 050

Unit A5 Douglas Park
Stone Business Park
Stone
ST15 0YJ
United Kingdom

VAT Number: 120 9546 28
Business Registration Number: 07699660