

VC900-M8M

NXP i.MX8M
ARM-Based In-vehicle System



KEY FEATURES



ARM-Based System

Support Yocto Linux 2.5 and Android 9.0



6-axis IMU Sensor

3 Accelerometer + 3 Gyroscope



Rich I/O Connectivity

1 GbE, 4 COM, 1 CAN Bus, 2 USB 3.0, 1 Micro USB (OTG)



Wide-Voltage

9~36V vehicle power input with ACC/IGN function

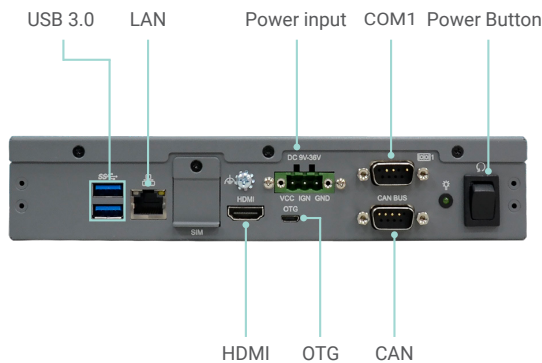


Wide-Temperature

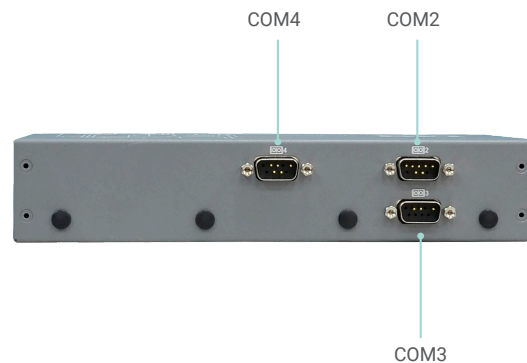
-20°C~70°C operation without active fan



PANEL

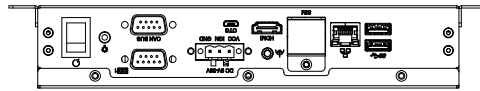


Front View

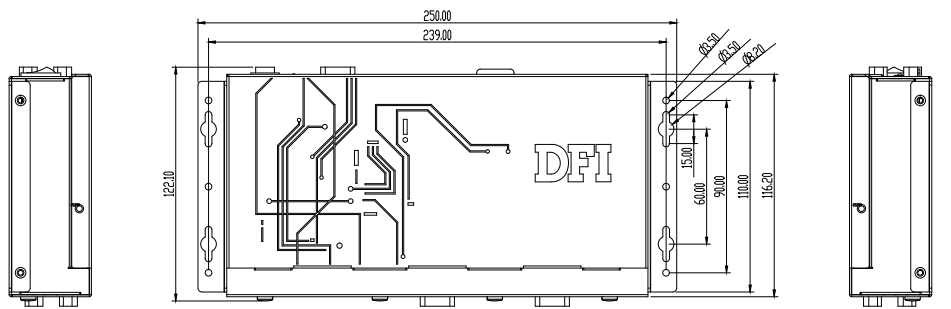


Rear View

DIMENSIONS



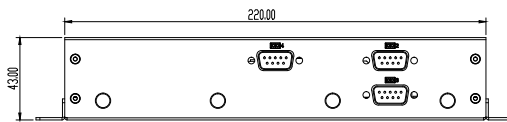
Front View



Right View

Top View

Left View



Rear View

SPECIFICATION

SYSTEM	Processor	NXP i.MX8M Quad, Cortex-A53 1.3GHz (by model) NXP i.MX8M Dual, Cortex-A53 1.3GHz (by model)	
	Memory	On board memory 2GB/4GB (by model) Single channel LPDDR4 up to 3200 MHz	
GRAPHICS	Display	1 x HDMI	resolution up to 1920x1080 @ 60 Hz
STORAGE	External	Micro SD card slot	
	Internal	eMMC 5.1 16GB on board, support up to 64GB (optional)	
LED	Indicators	1 x Status LED	
EXPANSION	M.2	1 x M.2 2242/3042 B Key (USB 3.1 Gen1), Nano SIM Slot support 1 x M.2 2230 E Key (PCIex1/USB2.0)	
SENSOR	Sensor	6 axis IMU (3 Accelerometer + 3 Gyroscope)	
FRONT I/O	Ethernet	1 x Giga LAN, RJ-45	
	Serial	1 x RS-232/422/485 (COM1)	
	USB	2 x USB 3.0, type A 1 x OTG, micro USB	
	Display	1 x HDMI	
	Audio	with Amplifier to support 2W speaker (optional) 1 x Line-out & 1 x MIC-in (internal header)	
	Buttons	1 x Power reset button	
	CANbus	1 x CANbus, DB-9	
REAR I/O	Antenna	4 x Antenna holes for LTE 4G, WiFi and GPS	
	Serial	1 x RS-232(TX,RX,RTS,CTS) (COM2) 2 x RS-232(TX,RX) (COM3/COM4)	
POWER	Type	Wide range 9~36V with ACC/IGN function	
	Connector	3-pole terminal block	
OS SUPPORT	Linux	Yocto Linux 2.5	
	Android	Android 9.0 (option)	
MECHANISM	Construction	Sheet Metal	
	Color	Black	
	Mounting	DIN-Rail mount Wall mount	
	Dimensions (W x H x D)	220 x 122 x 43mm	
	Weight	1.9kg	
ENVIRONMENT	Operating Temperature	-20 to 70°C	
	Storage Temperature	-40 to 85°C	
	Relative Humidity	10 to 90% RH (non-condensing)	
STANDARDS AND CERTIFICATIONS	Shock	Operating/non-operating: MIL-STD-810G Method 516.6, Procedure 1	
	Vibration	Operating/non-operating: MIL-STD-810G Method 514.6, Category 4	
	Certification	CE, FCC, E-Mark (E24), RoHS, UKCA	

ORDERING INFORMATION

Model Name	Part Number	Description
VC900-M8M	750-VC9000-000G	VC900-M8M: Fanless, i.MX8M Quad, 4GB memory, 16GB eMMC, 1 LAN, 1 HDMI, 1 CAN, 4 COM, 2 USB 3.0, F/G RoHS
VC900-M8M	750-VC9000-100G	VC900-M8M: Fanless, i.MX8M Dual, 2GB memory, 16GB eMMC, 1 LAN, 1 HDMI, 1 CAN, 4 COM, 2 USB 3.0, F/G RoHS

OPTIONAL ITEMS

Optional Items	Part Number	Description
LTE 4G	761-0EM06E-000G	4G Module Kit, Quectel LTE-A Cat 6 M.2 Module, EM06-E
WiFi + BT	761-ES2200-100G	Wi-Fi Kit WiFi+BT Kit, WiFi+BT Module, W/2 Dipole Antenna, 2 MHF4 Cable/200mm, RTL8822CE(ENLI) RoHS

PACKING LIST

1 x VC900-M8M system unit
1 x 3-pole terminal block cable for power input
1 x Wall mount bracket/screw pack
1 x Quick installation guide

Assured Systems

Assured Systems is a leading technology company with over 1,500 regular clients in 80 countries, deploying over 85,000 systems to a diverse customer base in 12 years of business. We offer high-quality and innovative rugged computing, display, networking and data collection solutions to the embedded, industrial, and digital-out-of-home market sectors.

US

sales@assured-systems.com

Sales: +1 347 719 4508
Support: +1 347 719 4508

1309 Coffeen Ave
Ste 1200
Sheridan
WY 82801
USA

EMEA

sales@assured-systems.com

Sales: +44 (0)1785 879 050
Support: +44 (0)1785 879 050

Unit A5 Douglas Park
Stone Business Park
Stone
ST15 0YJ
United Kingdom

VAT Number: 120 9546 28
Business Registration Number: 07699660