

W32L100-PTA3-ME

32" Multi-Touch Color Surgical Display



KEY FEATURES

- 32" 1920 x 1080 medical grade touch display monitor
- Bottom side keys x 5
- Fanless and Ventless design, Easy-to-Clean medical grade monitors
- Support VGA, HDMI signal input
- Front IP65



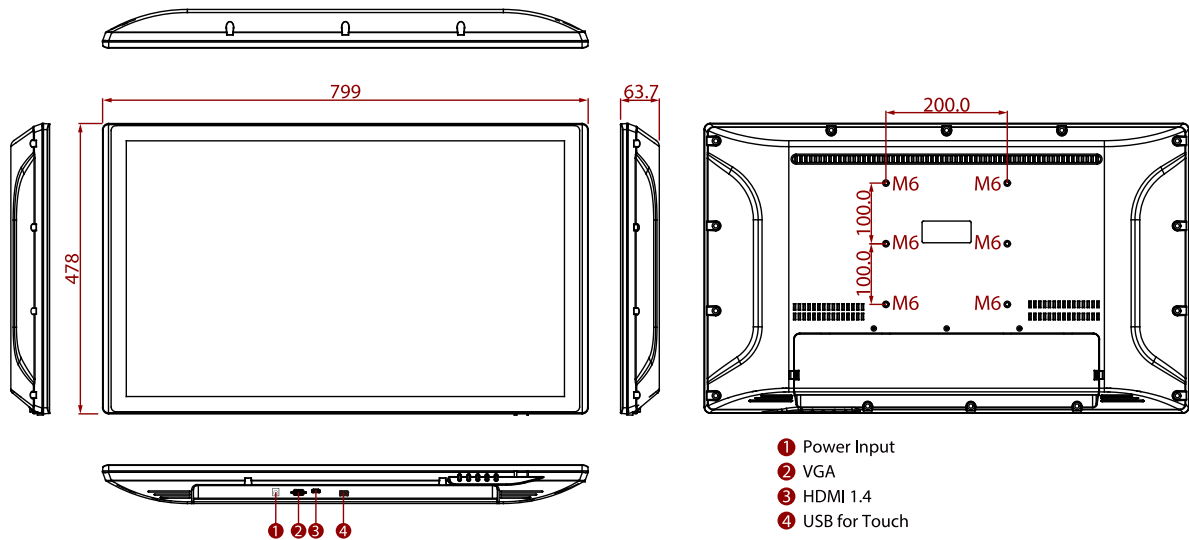
SPECIFICATIONS

Display			
Resolution	1920x1080	Size	32.0 inches
Contrast Ratio	4000:1	Panel Brightness	400.0 nits
Display Color	16.7M Colors	View Angles	89,89,89,89
Active Area	698.4x392.85 mm	Touch / Glass	Projected Capacitive Multi Touch Screen
Environment			
Operating Humidity	10% to 90% RH, Non-Condensing	Operating Temperature	0°C to 35°C
Storage Temperature	-20°C to 60°C		
Certification			
Certification	CE, FCC		
Compliance			
Compliance	IEC 60601-1:2005 + A1:2012 (Ed. 3.1) IEC 60601-1-6:2010 + A1:2013 (Ed. 3.1) IEC 62366:2007 + A1:2014 (Ed. 1.1) ANSI/AAMI ES60601-1:2005/A1:2012 and C1:2009/(R)2012 and A2:2010/(R)2012 CAN/CSA-C22.2 No.60601-1:14 EN 60601-1-2:2015, IEC 60601-1-2:2014 (Ed. 4.0) EN 55032/EN 55024, FCC part 15B EN 62368-1:2014 RoHS-2, REACH, WEEE compliant		
IO Ports			
USB Port	1 x USB for Touch Screen	Video	1 x VGA 1 x HDMI
Audio	2 x Speaker		
Mechanical			
Dimension	799 x 478 x 63.7 mm	Weight	18.5 kg
Mounting	VESA Mount	Enclosure	Plastic
Cooling System	Fanless Design		
Accessory			
Accessory	1 x VGA cable	Optional Accessory	USB cable for Touch (Optional)

1 x HDMI cable
100~240V AC to DC Adapter
Power Cord
Manual
VESA screws
Remote Controller

Power	
Power Rating	12V DC in 24V DC in (optional)
Control	
Button	5 Keys: -, +, Power, Esc, Enter

DIMENSIONS UNIT:MM



NOTE

1. This is a simplified drawing and some components are not marked in detail.
2. The product shown in this datasheet is a standard model. For diagrams that contain customized or optional I/O, please contact the Winmate Sales Team for more information.
3. All specifications are subject to change without prior notice.

Assured Systems

Assured Systems is a leading technology company with over 1,500 regular clients in 80 countries, deploying over 85,000 systems to a diverse customer base in 12 years of business. We offer high-quality and innovative rugged computing, display, networking and data collection solutions to the embedded, industrial, and digital-out-of-home market sectors.

US

sales@assured-systems.com

Sales: +1 347 719 4508
Support: +1 347 719 4508

1309 Coffeen Ave
Ste 1200
Sheridan
WY 82801
USA

EMEA

sales@assured-systems.com

Sales: +44 (0)1785 879 050
Support: +44 (0)1785 879 050

Unit A5 Douglas Park
Stone Business Park
Stone
ST15 0YJ
United Kingdom

VAT Number: 120 9546 28
Business Registration Number: 07699660