

# R19IW3S-MLA3FP

19" Intel® Core™ i5-8265U Defence Console Rack Panel PC



## KEY FEATURES

- Intel® Core™ i5-8265U 1.6GHz Processor
- Anti-Corrosion Housing / Fanless
- Projective Touch
- Compliant with MIL-STD-810G/F , MIL-STD-461E/F
- Flush Rack / Rack Mount Mechanical Design (8U)
- Convenient On-Screen Display Controls
- AC 110~240 V Power input default
- Isolation DC 9~36 V Power input (Optional)
- Built-in Light Sensor for auto brightness control

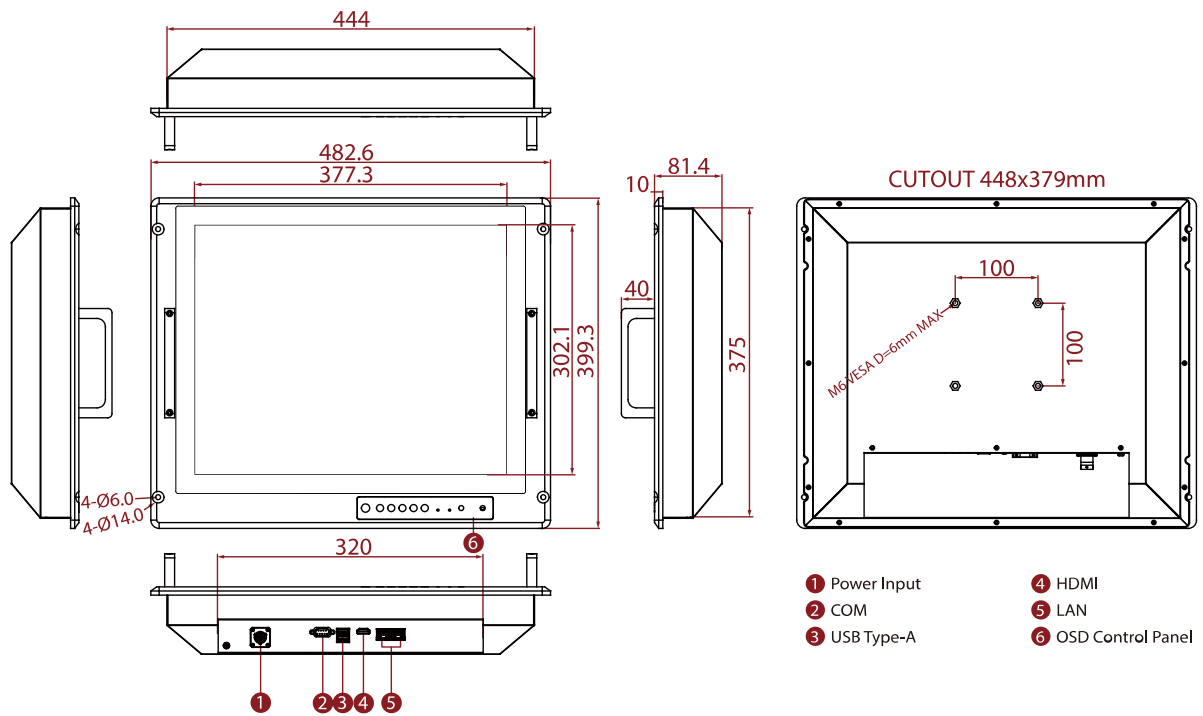


## SPECIFICATIONS

| Display                    |                                                                                                                                                     |                              |                                                                                         |
|----------------------------|-----------------------------------------------------------------------------------------------------------------------------------------------------|------------------------------|-----------------------------------------------------------------------------------------|
| <b>Resolution</b>          | 1280x1024                                                                                                                                           | <b>Size</b>                  | 19.0 inches                                                                             |
| <b>Contrast Ratio</b>      | 1000:1                                                                                                                                              | <b>Panel Brightness</b>      | 350.0 nits                                                                              |
| <b>View Angles</b>         | 85,85,80,80                                                                                                                                         | <b>Active Area</b>           | 376.32x301.06 mm                                                                        |
| <b>Touch / Glass</b>       | Projected Capacitive Multi Touch Screen<br>PCAP with With ITO Flim (Optional)                                                                       |                              |                                                                                         |
| System Specification       |                                                                                                                                                     |                              |                                                                                         |
| <b>Processor</b>           | Intel Core i5-8265U 1.6GHz (up to 3.9GHz)                                                                                                           | <b>Memory</b>                | 1 x SO-DIMM, DDR4 2400 MHz, 4GB<br>8GB (Optional)<br>16GB (Optional)<br>32GB (Optional) |
| <b>Storage</b>             | 1 x M.2 2242 B-key SSD 64GB<br>up to 512GB (Optional)                                                                                               | <b>Ethernet controller</b>   | Intel® Ethernet Controller I210-AT +<br>Intel® Ethernet Connection I219-LM              |
| <b>Operating System</b>    | Windows 10 IoT Enterprise (Optional)                                                                                                                |                              |                                                                                         |
| Environment                |                                                                                                                                                     |                              |                                                                                         |
| <b>Operating Humidity</b>  | 10% to 95% RH                                                                                                                                       | <b>Operating Temperature</b> | -20°C~60°C                                                                              |
| <b>Storage Temperature</b> | -30°C~70°C                                                                                                                                          |                              |                                                                                         |
| Compliance                 |                                                                                                                                                     |                              |                                                                                         |
| <b>MIL-STD 461E/F/G</b>    | RE101 / RE102<br>CE101 / CE102<br>CS118<br>with EMI Glass / Touch(Optional)<br>RS101 / RS 103<br>CS101 / CS 106 / CS 109 / CS 114 / CS 115 / CS 116 | <b>MIL-STD 810G/H</b>        | Vibration Method 514.6<br>Humidity Method 507.5<br>Transit Drop Method516.6             |
| Certification              |                                                                                                                                                     |                              |                                                                                         |
| <b>Certification</b>       | CE, FCC                                                                                                                                             |                              |                                                                                         |
| Accessory                  |                                                                                                                                                     |                              |                                                                                         |
| <b>Accessory</b>           | 1 x Manual(Hardcopy)<br>1 x Driver CD<br>1 x Power Cord (MIL-DTL-38999/1)                                                                           |                              |                                                                                         |

| Mechanical          |                                                                                                            |                       |                            |
|---------------------|------------------------------------------------------------------------------------------------------------|-----------------------|----------------------------|
| <b>Dimension</b>    | 482.6 x 399.3 x 79.6 mm                                                                                    | <b>Mounting</b>       | Rack Mount/ VESA Mount     |
| <b>Enclosure</b>    | Metal Housing with Aluminum Bezel                                                                          | <b>Cooling System</b> | Fanless Design             |
| IO Ports            |                                                                                                            |                       |                            |
| <b>USB Port</b>     | 2 x USB 3.2 Gen 1                                                                                          | <b>Serial Port</b>    | 1 x RS232(Default)/422/485 |
| <b>Video</b>        | 1 x HDMI (Optional)                                                                                        | <b>LAN</b>            | 2 x RJ-45                  |
| Power               |                                                                                                            |                       |                            |
| <b>Power Rating</b> | AC 100~240V, Universal, ±10%<br>DC 9~36V, ±10% (Optional)                                                  |                       |                            |
| Control             |                                                                                                            |                       |                            |
| <b>Button</b>       | 8 Key OSD Control Pad:<br>Power, Brightness DOWN, Brightness UP,<br>Night, Day, Auto / Manual, Reset, Lock |                       |                            |

**DIMENSIONS** UNIT:MM



**NOTE**

1. The product shown in this datasheet is a standard model. For diagrams that contain customized or optional I/O, please contact the Winmate Sales Team for more information.

## Assured Systems

Assured Systems is a leading technology company with over 1,500 regular clients in 80 countries, deploying over 85,000 systems to a diverse customer base in 12 years of business. We offer high-quality and innovative rugged computing, display, networking and data collection solutions to the embedded, industrial, and digital-out-of-home market sectors.

### US

[sales@assured-systems.com](mailto:sales@assured-systems.com)

Sales: +1 347 719 4508  
Support: +1 347 719 4508

1309 Coffeen Ave  
Ste 1200  
Sheridan  
WY 82801  
USA

### EMEA

[sales@assured-systems.com](mailto:sales@assured-systems.com)

Sales: +44 (0)1785 879 050  
Support: +44 (0)1785 879 050

Unit A5 Douglas Park  
Stone Business Park  
Stone  
ST15 0YJ  
United Kingdom

VAT Number: 120 9546 28  
Business Registration Number: 07699660