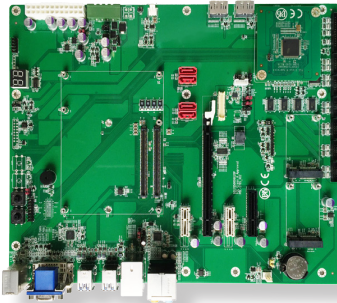




# PBE-1705



COM Express® Type 6 evaluation carrier board in ATX form factor



## Features

- COM Express® Type 6 Evaluation Board
- One Gigabit Ethernet Port
- Dual Channels 24-bit LVDS, 1x DVI, 2 x DDI
- **Wide Range Operating Temp.: -40 ~ 85°C**

## I/O

Super IO Chipset	Fintek F71869 (PBE-1705-F1)
Serial Port	Max. 6 x COM ports (depending on SIO module) Max. 2 x Ultra COM ports (depending on CPU module)
Keyboard & Mouse	PS/2 keyboard/mouse connectors
USB 2.0	2 x USB 2.0 ports
USB 3.0	4 x USB 3.0 ports (depending on CPU module)
Expansion	2 x PCIe1 slots, 1 x PCIe4 slot, 1 x PCIe16 slot 2 x Mini-Card sockets
Storage	4 x Serial ATA connectors (depending on CPU module)
Ethernet Chipset	1 x by CPU module
Digital I/O	8-bit Digital Input/Output (from CPU module)
Audio	Realtek HD Audio CODEC, ALC886

## Display

Graphic Interface	Analog RGB/ DVI: 1 x Analog RGB connector, 1 x DVI connector
	LCD: 1 x LVDS connector
	DDI port: 2 x DisplayPort connectors

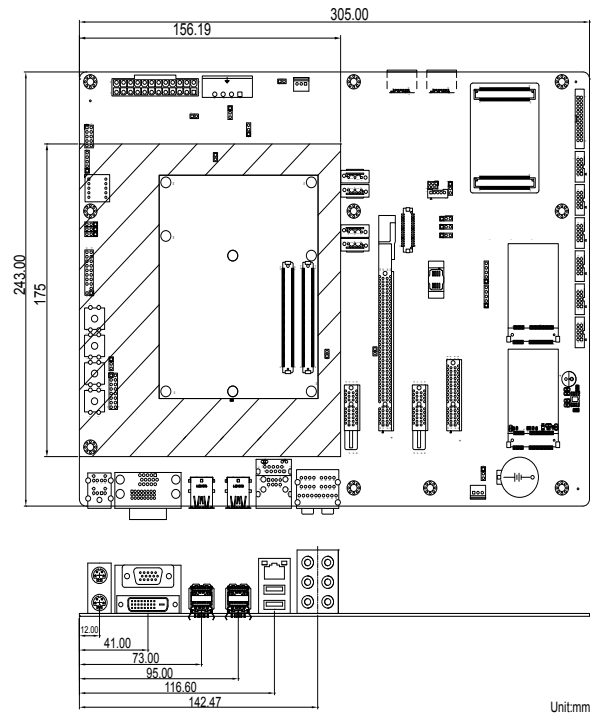
## OS Support

Depends on CPU Module

## Mechanical & Environmental

Power Requirement	DC 5V~20V or ATX Standard
Power Consumption	1.94A@12V, 0.17A@5V, 0.32A@3.3V with EmETXe-i89U0-6600U (Typical)
Operating Temp.	-40 ~ 85°C (-40 ~ 185°F)
Operating Humidity	10 ~ 95% @ 85°C (non-condensing)
Dimensions (L x W)	305 x 244 mm (12" x 9.6")

## Dimensions

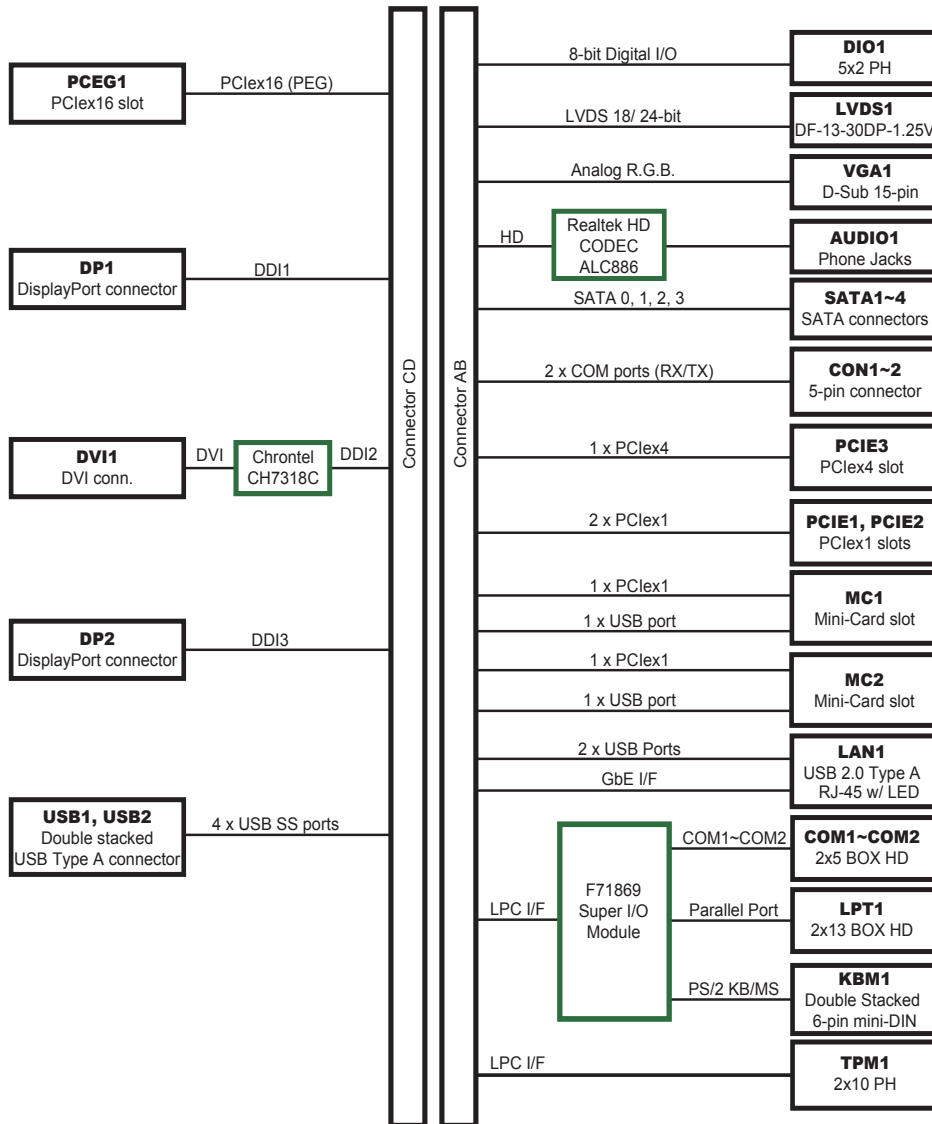


Computer on Module

All specifications are subject to change without notice.



**Block Diagram**



**Ordering Information**

PBE-1705-F1                      COM Express® Type 6 evaluation carrier board with Super IO F71869 module in ATX form factor

**Optional Accessories**

CBK-03-1705-00                      Cable kit  
    2 x Serial port cables  
    1 x SATA cable

## Assured Systems

Assured Systems is a leading technology company with over 1,500 regular clients in 80 countries, deploying over 85,000 systems to a diverse customer base in 12 years of business. We offer high-quality and innovative rugged computing, display, networking and data collection solutions to the embedded, industrial, and digital-out-of-home market sectors.

### US

[sales@assured-systems.com](mailto:sales@assured-systems.com)

Sales: +1 347 719 4508  
Support: +1 347 719 4508

1309 Coffeen Ave  
Ste 1200  
Sheridan  
WY 82801  
USA

### EMEA

[sales@assured-systems.com](mailto:sales@assured-systems.com)

Sales: +44 (0)1785 879 050  
Support: +44 (0)1785 879 050

Unit A5 Douglas Park  
Stone Business Park  
Stone  
ST15 0YJ  
United Kingdom

VAT Number: 120 9546 28  
Business Registration Number: 07699660