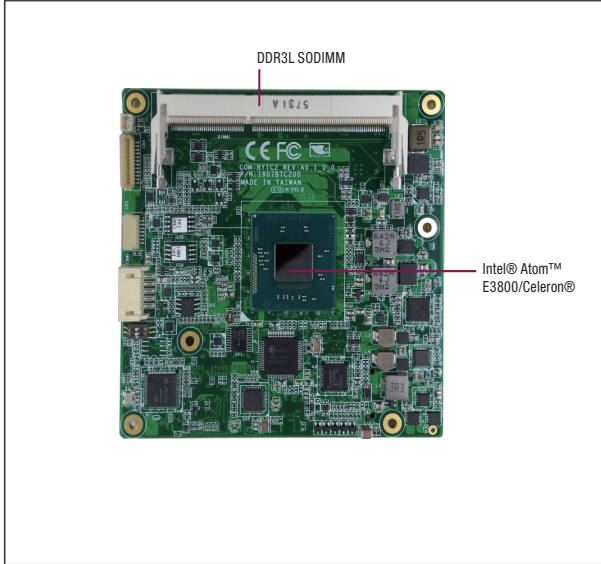


COM-BYTC2

COM Express Type 2 Compact Size with Intel Atom® Processor E/Celeron® Processor J Series Processors

COM Express CPU Modules



Features

- DDR3L 1333MHz SODIMM x 1, up to 8 GB (ECC by SKU)
- VGA x 1, LVDS x 1, eDP x 1
- USB 2.0 x 7
- PCIe [x1] x 2, PCI x 4
- Intel® I210-IT GbE x 1
- COM Express Type 2, Compact Size, 3.74" x 3.74" (95mm x 95mm)



Specifications

System	
Form Factor	COM Express Compact Size, Type 2
CPU	Intel Atom® Processor E Series: Intel Atom® Processor E3845 (4C/4T, 1.91 GHz, 10W) Intel Atom® Processor E3827 (2C/2T, 1.75 GHz, 8W)
	Intel® Celeron® Processor J Series: Intel® Celeron® Processor J1900 (4C/4T, 2.00 GHz, 10W)
Chipset	Integrated with Intel® SoC
Memory	DDR3L 1333MHz SODIMM x 1, up to 8GB (ECC by SKU)
Onboard Storage	—
BIOS	AMI UEFI
Wake on LAN	Yes
Watchdog Timer	255 Levels
Dimension	3.74" x 3.74" (95mm x 95mm)
Security	TPM 2.0
Power	
Power Requirement	+12V and +5VSB for ATX, +12V for AT
Power Type	AT/ATX
Power Consumption (Typical)	Intel® Celeron® Processor J1900, 1A @+12V
Display	
Graphics Controller	Intel® HD Graphics
Video Output	3 Simultaneous Displays: DDI x 1, up to 3840 x 2160 18/24-bit Single/Dual-Channel LVDS x 1, up to 1920 x 1080 VGA x 1, up to 1920 x 1080
I/O	
Ethernet	Intel® I210-IT GbE x 1
Audio	High Definition Audio Interface
USB Port	USB 2.0 x 7
Serial Port	2-Wire UART x 2 (Tx/Rx)
HDD Interface	SATA II x 1

Expansion	PCIe 2.0 [x1] x 2 PCI x 4 LPC x 1
GPIO	8-bit
SMBus/I2C	I2C x 1, SMBus x 1
Environment	
Operating Temperature	32°F ~ 140°F (0°C ~ 60°C)
Storage Temperature	-40°F ~ 185°F (-40°C ~ 85°C)
Operating Humidity	0% ~ 90% relative humidity, non-condensing
EMC	CE/FCC Class A
OS Support	Windows® 7 (32/64-bit) Windows® 8.1 (32/64-bit) Linux Ubuntu 12.04/Kernel 3.5
Weight	0.44 lb. (0.20Kg)

Packing List

- COM-BYTC2

Optional Accessories

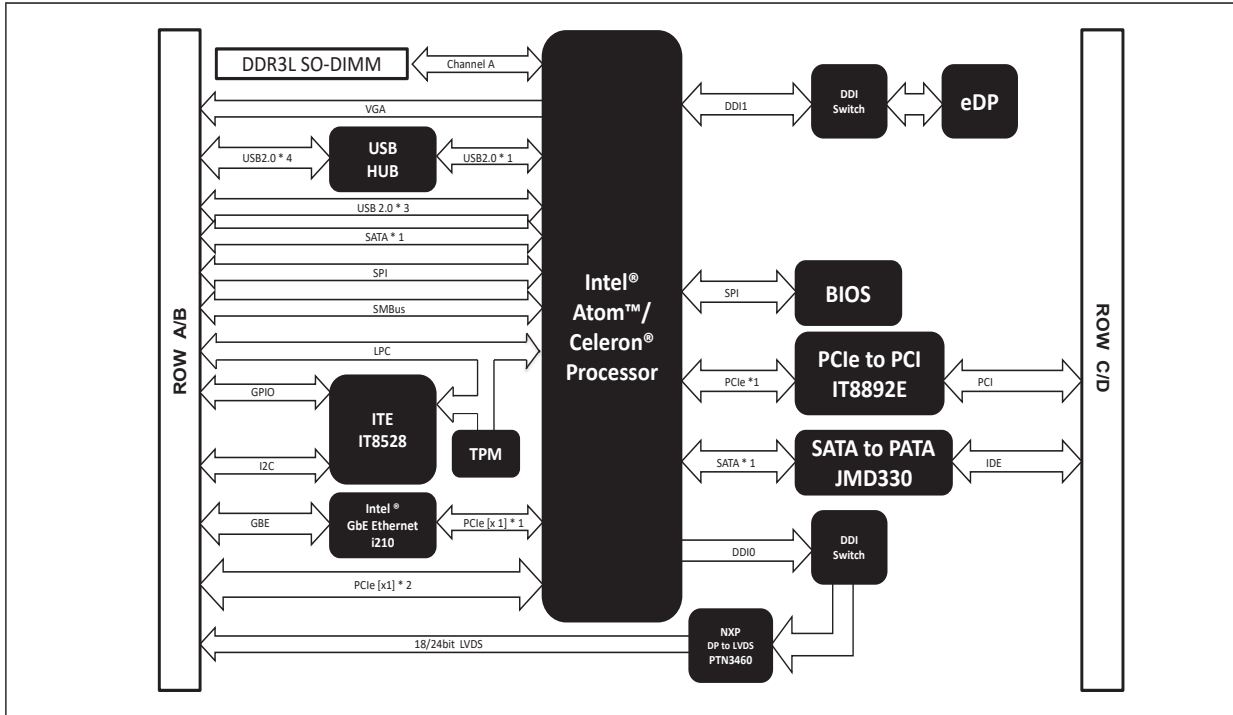
Part Number	Description
TF-ECB-916M-B11-01	COM Express Carrier Board.microATX.Dual LAN.PCI-Express.W/Type 1 Convert Board.Rev.B1.1
PER-A126	Heat Spreader.95mm x 95mm x 11mm.Block
COM-BT-HSK01	Heat Sink.95mm x 95mm x 22mm.Silver
COM-FAN02	coole.95mm x 95mm x 26.5mm.3pin.w/HSP

COM-BYTC2

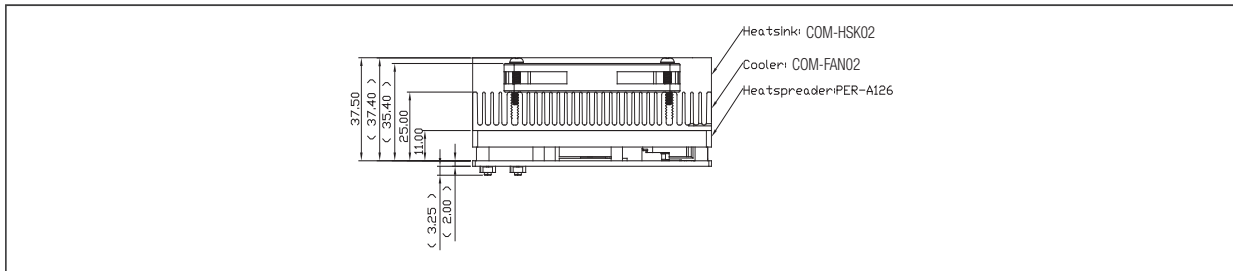
04

COM Express CPU Modules

Block Diagram Unit: mm



Dimension Unit: mm



Ordering Information

Part Number	COM Express Type	CPU	Memory	ECC support	Display	Storage	LAN	USB	UART	Expansion	Power	Temperature	Others
COM-BYTC2-A10-0001	Type 2	Intel® Celeron® Processor J1900	DDR3L SODIMM x 1	—	VGA x 1, LVDS x 1, eDP x 1	SATA III x 2	Intel® I210-IT x 1	USB 2.0 x 7	2-Wire UART x 2 (Tx/Rx)	PCIe [x1] x 2 PCI x 4	12V	0°C ~ 60°C	LPC, GPIO 8-bit, I2C, SMBus, SPI
COM-BYTC2-A10-0002	Type 2	Intel Atom® Processor E3845	DDR3L SODIMM x 1	Yes	VGA x 1, LVDS x 1, eDP x 1	SATA III x 2	Intel® I210-IT x 1	USB 2.0 x 7	2-Wire UART x 2 (Tx/Rx)	PCIe [x1] x 2 PCI x 4	12V	0°C ~ 60°C	LPC, GPIO 8-bit, I2C, SMBus, SPI
COM-BYTC2-A10-0003	Type 2	Intel Atom® Processor E3827	DDR3L SODIMM x 1	Yes	VGA x 1, LVDS x 1, eDP x 1	SATA III x 2	Intel® I210-IT x 1	USB 2.0 x 7	2-Wire UART x 2 (Tx/Rx)	PCIe [x1] x 2 PCI x 4	12V	0°C ~ 60°C	LPC, GPIO 8-bit, I2C, SMBus, SPI

Assured Systems

Assured Systems is a leading technology company with over 1,500 regular clients in 80 countries, deploying over 85,000 systems to a diverse customer base in 12 years of business. We offer high-quality and innovative rugged computing, display, networking and data collection solutions to the embedded, industrial, and digital-out-of-home market sectors.

US

sales@assured-systems.com

Sales: +1 347 719 4508
Support: +1 347 719 4508

1309 Coffeen Ave
Ste 1200
Sheridan
WY 82801
USA

EMEA

sales@assured-systems.com

Sales: +44 (0)1785 879 050
Support: +44 (0)1785 879 050

Unit A5 Douglas Park
Stone Business Park
Stone
ST15 0YJ
United Kingdom

VAT Number: 120 9546 28
Business Registration Number: 07699660