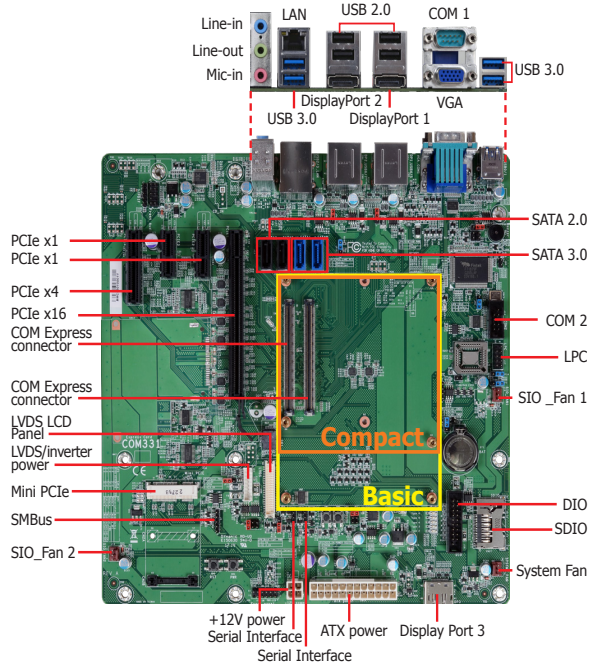




COM Express Carrier Board

COM331-B



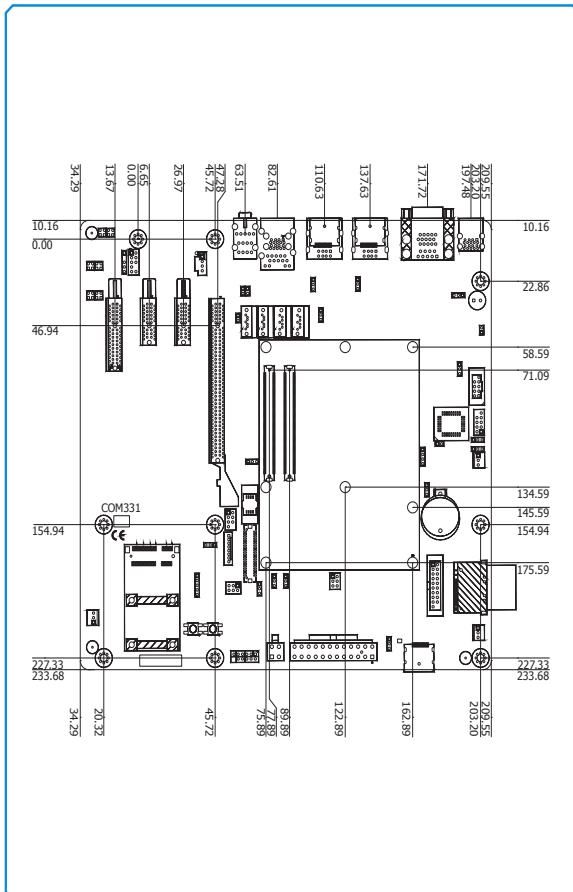
Features

EXPANSION	1 PCIe x16, 1 PCIe x4, 2 PCIe x1 1 Mini PCIe (PCIe signal only)
DISPLAY OUTPUTS	1 VGA, 3 DisplayPorts, 1 LVDS
LAN	1 LAN
COM	2 COM
USB	8 USB: 4 USB 3.0, 4 USB 2.0
STORAGE	4 SATA: 2 SATA 3.0, 2 SATA 2.0 1 SDIO
DIO	8-bit DIO
DIMENSIONS	244mm x 244mm (9.6" x 9.6")

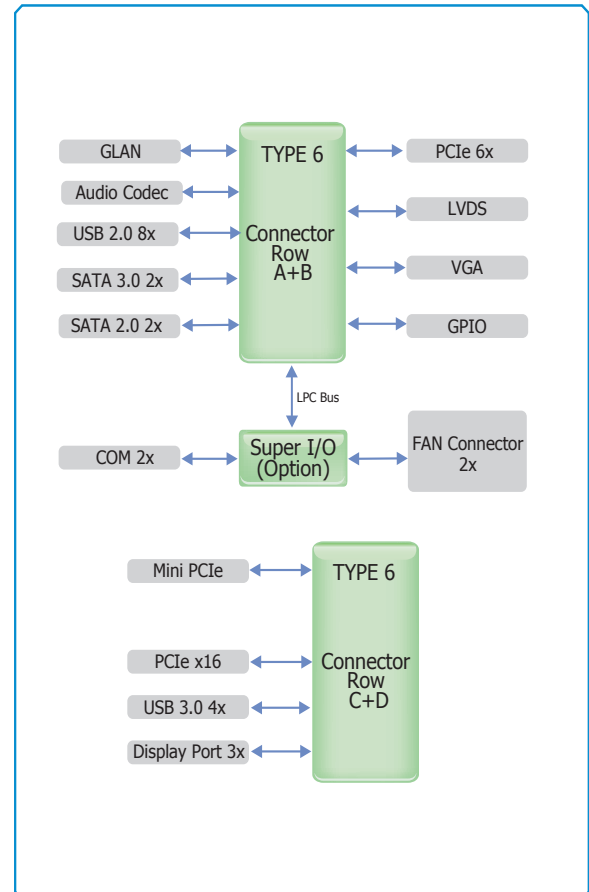
Supports Compact and Basic modules



Mechanical Drawing



Block Diagram





COM331-B

Specifications * Optional and is not supported in standard model. Please contact your sales representative for more information.

ONBOARD AUDIO FEATURES

- Realtek ALC886 5.1-channel High Definition Audio
- Audio outputs: Mic-in/Center+Subwoofer, line-in/surround and line out
- S/PDIF audio interface

STORAGE

- 4 Serial ATA ports
 - 2 SATA 3.0 ports with data transfer rate up to 6Gb/s
 - 2 SATA 2.0 ports with data transfer rate up to 3Gb/s

DIGITAL I/O

- 8-bit Digital I/O connector
 - 4-bit GPI (General Purpose Input)
 - 4-bit GPO (General Purpose Output)

REAR PANEL I/O PORTS

- 1 DB-9 RS232 serial port
- 1 DB-15 VGA port
- 2 DisplayPorts
- 1 RJ45 LAN port
- 4 USB 3.0 ports
- 4 USB 2.0 ports
- Line-in/Surround, Line out, Mic-in/Center+Subwoofer jacks

I/O CONNECTORS

- 1 connector for 1 external RS232 serial port
- 2 serial interface connectors (TX/RX)
- 1 SDIO slot
- 1 DisplayPort
- 1 LVDS LCD panel connector
- 1 LCD/inverter power connector
- 1 8-bit Digital I/O connector
- 1 front audio connector for line-out and mic-in jacks
- 1 S/PDIF connector
- 4 Serial ATA ports
- 1 LPC connector
- 1 I²C connector
- 1 SMBus connector
- 1 24-pin ATX power connector
- 1 4-pin 12V power connector
- 1 chassis intrusion connector
- 1 front panel connector
- 3 fan connectors

EXPANSION SLOTS

- 1 PCIe x16 Gen 3 slot
- 1 PCIe x4 Gen 2 slot
- 2 PCIe x1 slots (PCIe 2.0)
- 1 Mini PCIe slot (PCIe 2.0) (PCIe signal only)
 - USB signal: optional
 - Supports half/full size Mini PCIe card

SUPPORTED COM EXPRESS MODULES

- Basic
- Compact

DAMAGE FREE INTELLIGENCE

- Legacy Super I/O support*
 - Monitors 5V/1.5V/12V/3.3V
 - Monitors SIO_Fan 1/SIO_Fan 2/System fan

ROM INTERFACE

- 1 SPI interface
 - Supports up to 64Mbit
- 1 LPC/FWH interface

TEMPERATURE

- Operating: 0°C to 60°C
- Storage: -20°C to 85°C

HUMIDITY

- 10% to 90%

POWER OUTPUT

- 12V, 5VSB, VCC_RTC (ATX mode)
- 12V, 5V, VCC_RTC (AT mode)
- 12V, VCC_RTC (AT mode)

PCB

- Dimensions
 - microATX form factor
 - 244mm (9.6") x 244mm (9.6")
- Compliance
 - PICMG COM Express[®] R2.0, Type 6

CERTIFICATION

- CE
- FCC Class B
- RoHS

Packing List

• 1 COM331-B board
• 2 Serial ATA data cables
• 1 COM port cable (with bracket)
• 1 DVD

Optional Items

• Serial ATA data cable
• COM port cable
• I/O shield
• Serial ATA power cable
• QR (Quick Reference)

Assured Systems

Assured Systems is a leading technology company with over 1,500 regular clients in 80 countries, deploying over 85,000 systems to a diverse customer base in 12 years of business. We offer high-quality and innovative rugged computing, display, networking and data collection solutions to the embedded, industrial, and digital-out-of-home market sectors.

US

sales@assured-systems.com

Sales: +1 347 719 4508
Support: +1 347 719 4508

1309 Coffeen Ave
Ste 1200
Sheridan
WY 82801
USA

EMEA

sales@assured-systems.com

Sales: +44 (0)1785 879 050
Support: +44 (0)1785 879 050

Unit A5 Douglas Park
Stone Business Park
Stone
ST15 0YJ
United Kingdom

VAT Number: 120 9546 28
Business Registration Number: 07699660