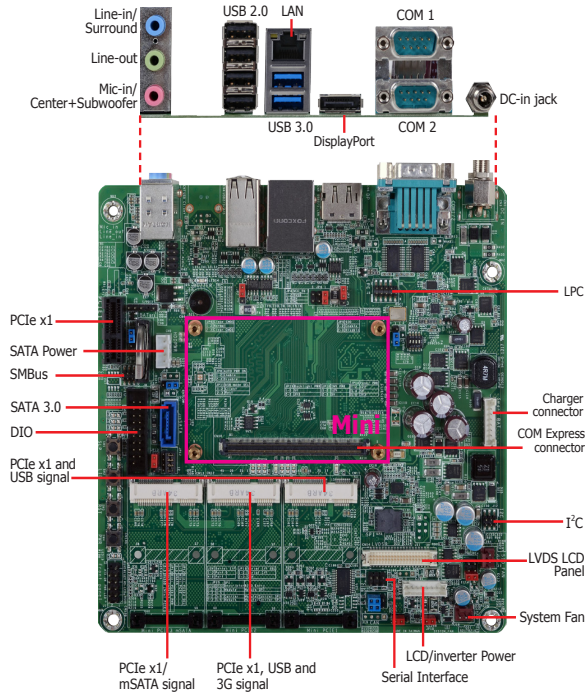




COM Express Carrier Board

COM100-B



Features

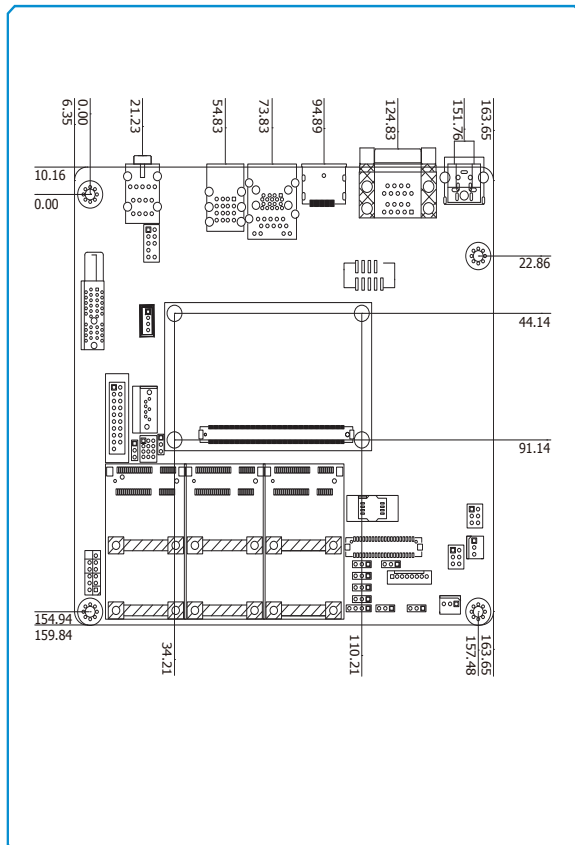
EXPANSION	1 PCIe x1 3 Mini PCIe 1 SIM
DISPLAY OUTPUTS	1 DisplayPort 1 LVDS
LAN	1 LAN
COM	2 COM
USB	6 USB: 2 USB 3.0, 4 USB 2.0
STORAGE	1 SATA 3.0
DIO	8-bit DIO
DIMENSIONS	170mm x 170mm (6.7" x 6.7")



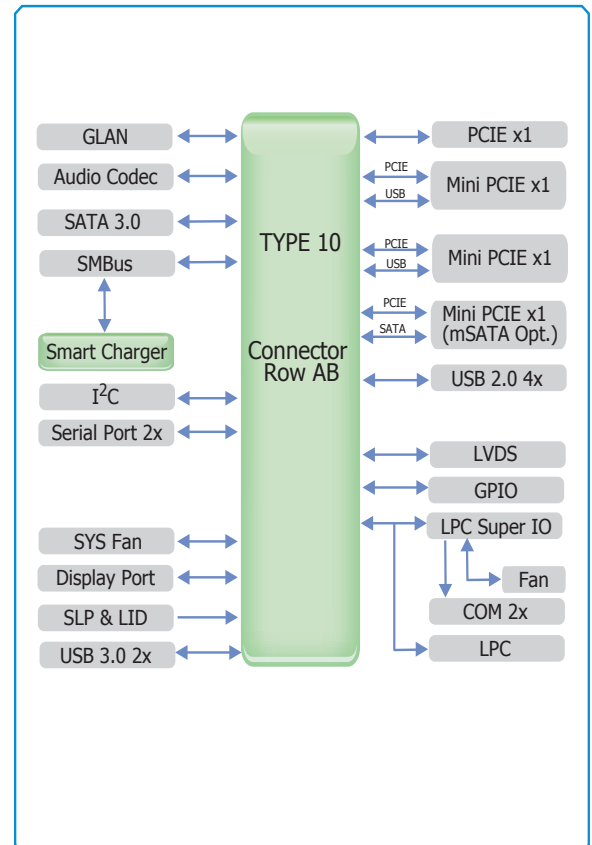
Supports Mini modules



Mechanical Drawing



Block Diagram



COM Express Carrier Board



COM100-B

Specifications * Optional and is not supported in standard model. Please contact your sales representative for more information.

ONBOARD GRAPHICS FEATURES

- Display ports
 - 1 DisplayPort
 - 1 24-bit single channel LVDS

ONBOARD AUDIO FEATURES

- Realtek ALC886 7.1-channel High Definition Audio
- Audio outputs: Mic-in/Center+Subwoofer, line-in/surround and line out
- S/PDIF audio interface

ONBOARD USB FEATURES

- 2 USB 3.0 ports
- 4 USB 2.0 ports

STORAGE

- 1 SATA 3.0 port with data transfer rate up to 6Gb/s

DIGITAL I/O

- 8-bit Digital I/O connector
 - 4-bit GPI (General Purpose Input)
 - 4-bit GPO (General Purpose Output)

REAR PANEL I/O PORTS

- 5V~19V DC-in jack
- 2 DB-9 RS232 serial ports
- 1 DisplayPort
- 1 RJ45 LAN port
- 2 USB 3.0 ports
- 4 USB 2.0 ports
- Line-in/Surround, Line out, Mic-in/Center+Subwoofer jacks

I/O CONNECTORS

- 1 serial interface for 2 serial ports (TX/RX)
- 1 LVDS LCD panel connector
- 1 LCD/inverter power connector
- 1 8-bit Digital I/O connector
- 1 front audio connector for line-out and mic-in jacks
- 1 S/PDIF connector
- 1 SATA 3.0 port
- 1 SATA power connector
- 1 Smart battery charger connector
- 1 LPC connector
- 1 I²C connector
- 1 SMBus connector
- 1 front panel connector
- 2 fan connectors

EXPANSION SLOTS

- 1 PCIe x1 slot (PCIe 2.0)
- 3 Mini PCIe slots (PCIe 2.0)
 - 1 slot supports PCIe and USB signals for 3G module
 - 1 slot supports PCIe and USB signals
 - 1 slot supports PCIe or mSATA signal
 - Supports half/full size Mini PCIe card
- 1 SIM card socket

SUPPORTED COM EXPRESS MODULE

- Mini form factor

DAMAGE FREE INTELLIGENCE

- Legacy Super I/O support*
 - Monitors 5V/1.5V/12V/3.3V
 - Monitors SIO_Fan

ROM INTERFACE

- 1 SPI interface
 - Supports up to 64Mbit

TEMPERATURE

- Operating: 0°C to 60°C
- Storage: -20°C to 85°C

HUMIDITY

- 10% to 90%

POWER OUTPUT

- 12V, 5VSB, VCC_RTC (ATX mode)
- 12V, 5V, VCC_RTC (AT mode)
- 12V, VCC_RTC (AT mode)

PCB

- Dimensions
 - Mini-ITX form factor
 - 170mm (6.7") x 170mm (6.7")
- Compliance
 - PICMG COM Express® R2.1, Type 10

CERTIFICATION

- RoHS

Packing List

• 1 COM100-B board
• 1 SATA data cable
• 1 SATA power cable
• 1 I/O shield
• 1 DVD

Optional Items

• SATA data cable
• Serial ATA power cable
• I/O shield
• Power adapter (120W, 19V, Level 6) : 671-110003-100G

Assured Systems

Assured Systems is a leading technology company with over 1,500 regular clients in 80 countries, deploying over 85,000 systems to a diverse customer base in 12 years of business. We offer high-quality and innovative rugged computing, display, networking and data collection solutions to the embedded, industrial, and digital-out-of-home market sectors.

US

sales@assured-systems.com

Sales: +1 347 719 4508
Support: +1 347 719 4508

1309 Coffeen Ave
Ste 1200
Sheridan
WY 82801
USA

EMEA

sales@assured-systems.com

Sales: +44 (0)1785 879 050
Support: +44 (0)1785 879 050

Unit A5 Douglas Park
Stone Business Park
Stone
ST15 0YJ
United Kingdom

VAT Number: 120 9546 28
Business Registration Number: 07699660