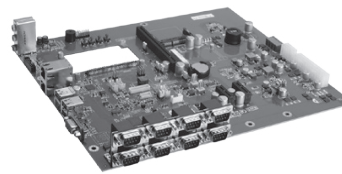
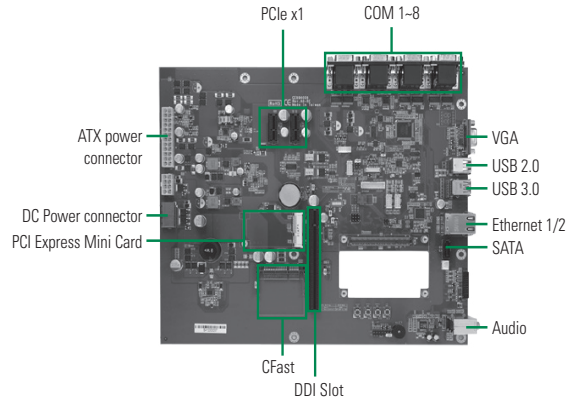


CEB94008

COM Express Type 10 Development Baseboard

Features

- COM Express type 10 baseboard
- One SATA-300 and CFast™
- One Mini PCI Express card slot
- USB 3.0 supported
- Port 80 display for debugging



▲ Side view



Core System

CPU	COM Express type 10 module
System Memory	On the module
Chipset	SoC integrated
BIOS	On the module
SSD	1 x CFast
Watchdog Timer	On the module
Expansion Interface	2 x PCIe x1 slots 1 x PCI Express Mini card slot 1 x DDI display card slot
Battery Lithium	Lithium 3V/195mAH
Power Requirements	TBD
Size	244 x 291 mm
Board Thickness	2.0 mm
Temperature	-40°C ~ +85°C (-40°F ~ +185°F), operation
Operation Humidity	10% ~ 95% relative humidity, non-condensing

I/O

MIO	2 x TX/RX UARTs (from CPU module) 2 x RS-232/422/485 4 x RS-232
SATA	1 x SATA connector
Hardware Monitoring	N/A
Ethernet	1 port as 10/100/1000Mbps supports Wake-on-LAN, PXE Boot ROM with Intel® i210 1 RJ-45 which 10/100/1000Mbps signals routed from CPU module
Audio	HD audio with Line-in/Line-out/MIC-in
USB	8 x USB 2.0 ports and 2 x USB 3.0 ports
Port 80 Display	Dual 7 segments port 80 display for convenient debugging purpose through LPC interface
SMBus	Yes
Digital I/O	4 channels IN & 4 channels OUT
Display	1 x LVDS 18/24-bit single channel 1 x VGA 1 x DDI display slot

Packing List

Quick installation guide, user's manual/utility CD

Ordering Information

Standard	
CEB94008 (P/N: E394008100)	COM Express Type 10 evaluation baseboard with PCI Express Mini Card, 2 GbE LANs, LVDS/VGA and multiple I/O features
Compliant Modules	
CEM846 Series	COM Express Type 10 mini module with Intel® E3845/3827/3815, 4GB/2GB, DDI/LVDS, GbE LAN and USB 3.0
CEM300 Series	COM Express Type 10 mini module with Intel N3710/N3160/N3060, 4GB, DDI/LVDS, GbE LAN and USB 3.0

Assured Systems

Assured Systems is a leading technology company with over 1,500 regular clients in 80 countries, deploying over 85,000 systems to a diverse customer base in 12 years of business. We offer high-quality and innovative rugged computing, display, networking and data collection solutions to the embedded, industrial, and digital-out-of-home market sectors.

US

sales@assured-systems.com

Sales: +1 347 719 4508
Support: +1 347 719 4508

1309 Coffeen Ave
Ste 1200
Sheridan
WY 82801
USA

EMEA

sales@assured-systems.com

Sales: +44 (0)1785 879 050
Support: +44 (0)1785 879 050

Unit A5 Douglas Park
Stone Business Park
Stone
ST15 0YJ
United Kingdom

VAT Number: 120 9546 28
Business Registration Number: 07699660