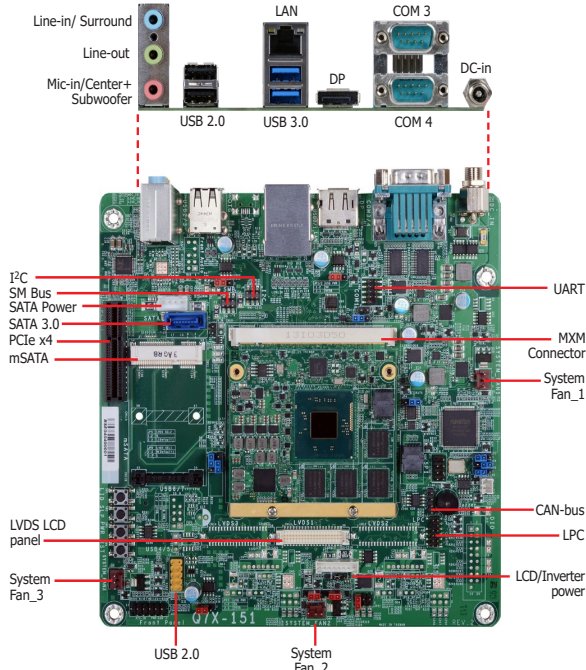




**Qseven Carrier Board**

**Q7X-151 (R.A)**

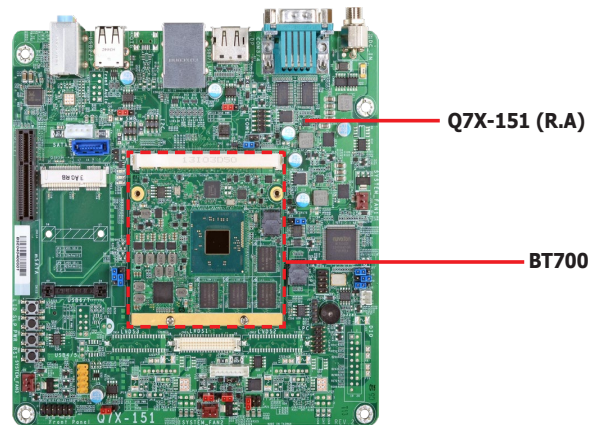


**Features**

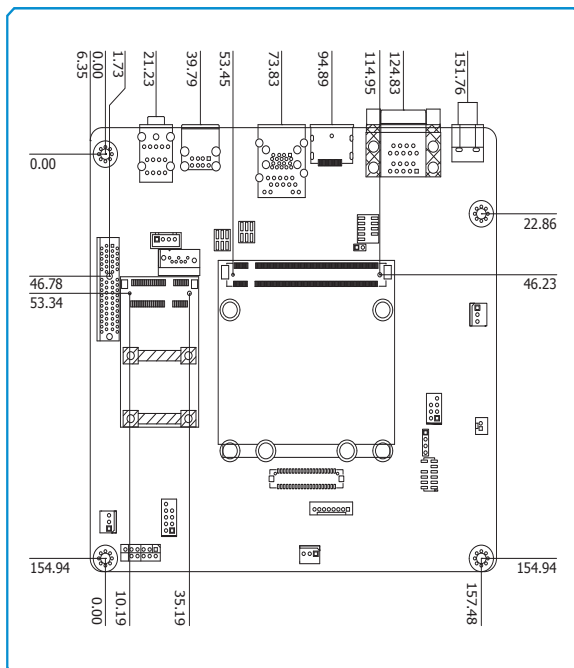
EXPANSION	1 PCIe x4 1 SDIO
DISPLAY OUTPUTS	1 LVDS, 1 DP
LAN	1 LAN
COM	2 COM
USB	1 USB 3.0, 6 USB 2.0
STORAGE	1 SATA 3.0 1 mSATA
DIMENSIONS	170mm x 170mm (6.7" x 6.7")



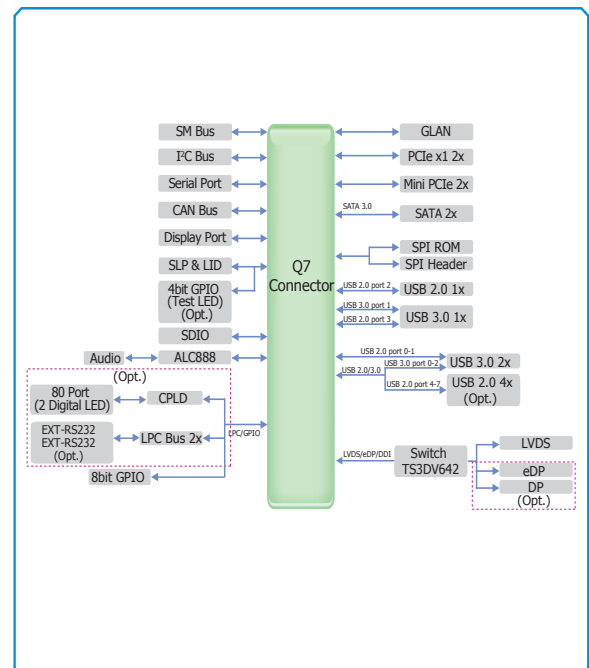
**For BT700**



**Mechanical Drawing**



**Block Diagram**





# Q7X-151 (R.A)

**Specifications** \* Optional and is not supported in standard model. Please contact your sales representative for more information.

**ONBOARD GRAPHICS FEATURES**

- Display ports
  - 1 dual channel LVDS
  - 1 DP port

**ONBOARD AUDIO FEATURES**

- Realtek ALC886 5.1-channel High Definition Audio
- Audio outputs: Mic-in/Center+Subwoofer, line-in/surround and line out

**ONBOARD USB FEATURES**

- 1 USB 3.0 and 6 USB 2.0 ports

**STORAGE**

- 1 SATA 3.0 port with data transfer rate up to 6Gb/s
  - SATA port provides adequate space for SATA DOM
- 1 mSATA port

**REAR PANEL I/O PORTS**

- 1 12V DC-in jack
- 2 DB-9 RS232 serial ports
- 1 DP port
- 1 RJ45 LAN port
- 1 USB 3.0 port
- 2 USB 2.0 type A ports
- Mic-in/Center+Subwoofer, line-in/surround and line out jacks

**I/O CONNECTORS**

- 1 connector for 2 external USB 2.0/1.1 ports
- 2 UART ports
  - 1 supports TX/RX signal only (UART 2)
- 1 LVDS LCD panel connector
- 1 LCD/inverter power connector
- 1 Serial ATA connector
- 1 Serial ATA power connector
- 1 mSATA port
- 1 LPC connector
- 1 I<sup>2</sup>C connector
- 1 SMBus connector
- 1 CAN-bus connector
- 1 front panel connector
- 3 fan connectors

**EXPANSION SLOTS**

- 1 PCIe x4 slot
- 1 SDIO socket

**WATCHDOG TIMER**

- Watchdog timeout programmable via software from 1 to 255 seconds

**DAMAGE FREE INTELLIGENCE**

- Monitors system temperature and overheat alarm
- Monitors system fan speed and failure alarm

**ROM INTERFACE**

- 1 SPI interface
  - Supports up to 64Mbit

**TEMPERATURE**

- Operating: 0°C to 60°C
- Storage: -20°C to 85°C

**HUMIDITY**

- 5% to 90%

**BOARD TO BOARD CONNECTORS**

- One MXM connector

**DIMENSIONS**

- Mini-ITX form factor
- 170mm (6.7") x 170mm (6.7")

**Packing List**

• 1 Q7X-151 (R.A) board
• 1 Serial ATA signal cable: 332-553001-005G
• 1 I/O shield: A49-Q7X151-000G
• 1 DVD

**Optional Items**

• USB port cable: 332-253010-026G
• I/O shield: A49-Q7X151-000G
• Power adapter (100W, 12V, Level 6): 671-110002-100G

## Assured Systems

Assured Systems is a leading technology company with over 1,500 regular clients in 80 countries, deploying over 85,000 systems to a diverse customer base in 12 years of business. We offer high-quality and innovative rugged computing, display, networking and data collection solutions to the embedded, industrial, and digital-out-of-home market sectors.

### US

[sales@assured-systems.com](mailto:sales@assured-systems.com)

Sales: +1 347 719 4508  
Support: +1 347 719 4508

1309 Coffeen Ave  
Ste 1200  
Sheridan  
WY 82801  
USA

### EMEA

[sales@assured-systems.com](mailto:sales@assured-systems.com)

Sales: +44 (0)1785 879 050  
Support: +44 (0)1785 879 050

Unit A5 Douglas Park  
Stone Business Park  
Stone  
ST15 0YJ  
United Kingdom

VAT Number: 120 9546 28  
Business Registration Number: 07699660