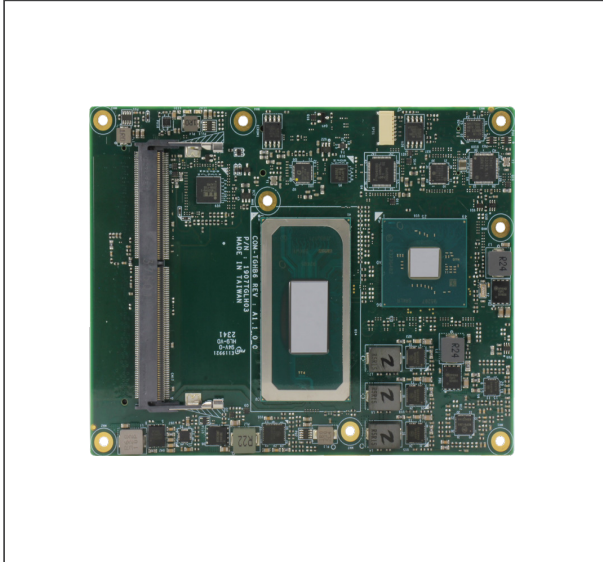


COM-TGHB6

COM Express Type 6 with 11th Gen Intel® Core™/Xeon® W Processors

COM Express CPU Modules



Features

- DDR4 3200MHz SODIMM x 2, up to 64GB
- VGA x 1, LVDS x 1, DDI x 3
- USB 2.0 x 8, USB 3.2 Gen 2 x 4
- PCIe [x1] x 8, PCIe [x16] x 1
- Intel® I226-LM 2.5GbE x 1
- COM Express Type 6, 4.92" x 3.75" (125mm x 95mm)



Specifications

System	
Form Factor	COM Express Basic Size, Type 6
CPU	11th Generation Intel® Core™ Processors: Intel® Core™ i7-11850HE (8C/16T, 2.1 GHz, 35W) Intel® Core™ i5-11500HE (6C/12T, 2.1 GHz, 35W) Intel® Core™ i3-11100HE (4C/8T, 1.9 GHz, 35W) Intel® Xeon® W Processors: Intel® Xeon® W-11865MRE (8C/16T, 2.1 GHz, 35W) Intel® Xeon® W-11865MLE (8C/16T, 1.5 GHz, 25W)
Chipset	Intel® QM580E Intel® RMS90E
Memory	DDR4 3200MHz Dual Channel , SODIMM x 2 , up to 64GB
Onboard Storage	—
BIOS	AMI UEFI
Wake on LAN	Yes
Watchdog Timer	255 Levels
Dimension	4.92" x 3.75" (125mm x 95mm)
Security	TPM 2.0
Power	
Power Requirement	+12V and +5VSB for ATX, +12V for AT
Power Type	AT/ATX
Power Consumption (Typical)	Intel® Xeon® W-11865MRE, 5.26A @+12V
Display	
Graphics Controller	Intel® UHD Graphics
Video Output	5 Simultaneous Displays: DDI x 3, up to 3840 x 2160 LVDS/eDP x 1, up to 1920 x 1080 VGA x 1, up to 1920 x 1080
I/O	
Ethernet	Intel® I226-LM 2.5GbE x 2
Audio	High Definition Audio Interface

USB Port	USB 2.0 x 8, USB 3.2 Gen 2 x 4
Serial Port	2-Wire UART x 2 (Tx/Rx)
HDD Interface	SATA III x 4
Expansion	PEG 4.0 [x16] x 1 PCIe 3.0 [x1] x 8 LPC x 1
GPIO	8-bit
SMBus/I2C	I2C x 1, SMBus x 1
Environment	
Operating Temperature	32°F ~ 140°F (0°C ~ 60°C)
Storage Temperature	-40°F ~ 185°F (-40°C ~ 85°C)
Operating Humidity	0% ~ 90% relative humidity, non-condensing
EMC	CE/FCC Class A
OS Support	Windows® 10 (64-bit) Linux Ubuntu 20.04.4/Kernel 5.13
Weight	0.33 lb. (0.15Kg)

Packing List

- COM-TGHB6

Optional Accessories

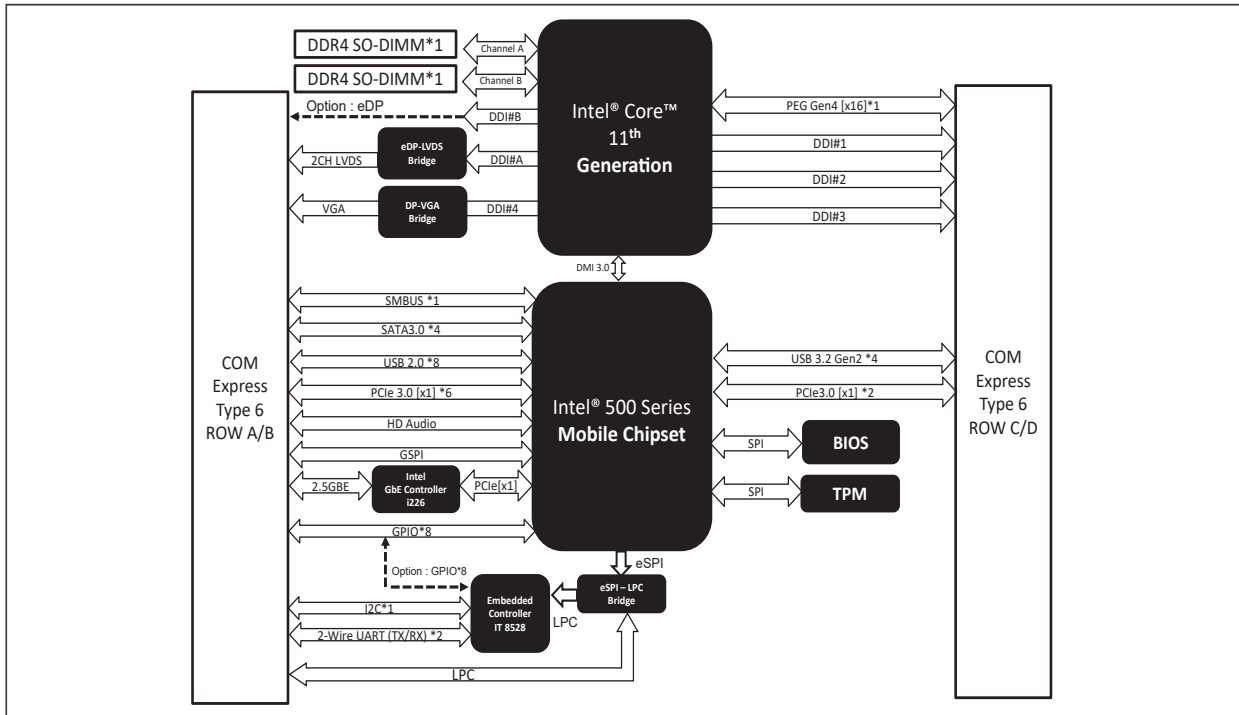
Part Number	Description
ECB-920A-A11-0001	COMe Type 6/10 Carrier Board. ATX. 2.5GbE. 8USB. 2COM. 4SATA. PCIe. AT/ATX. Rev.A1.1
COM-TGHB6-HSP01	Heat Spreader. 125mm x 95mm x 11mm. Black
COM-TGHB6-FAN01	Cooler. 125mm x 95mm x 35mm. 4pin
COM-FAN01	Cooler. 125mm x 95mm x 26.4mm. 3pin.w/HSP

COM-TGHB6

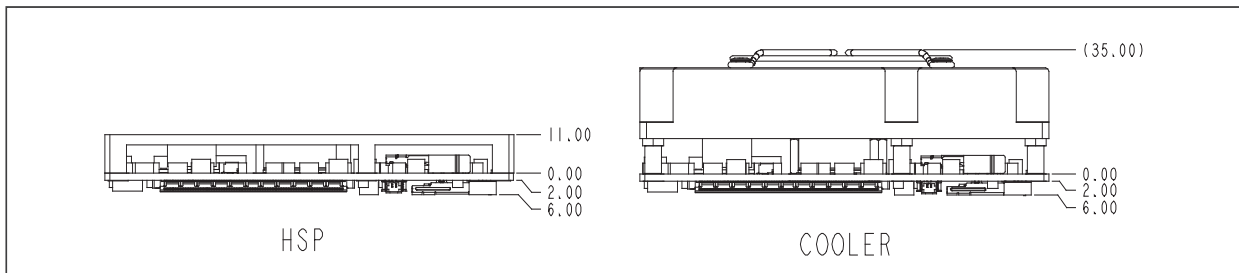
04

COM Express CPU Modules

Block Diagram Unit: mm



Dimension Unit: mm



Ordering Information

Part Number	COM Express Type	CPU	Memory	ECC support	Display	Storage	LAN	USB	UART	Expansion	Power	Temperature	Others
COM-TGHB6-A11-0001	Type 6	Intel® Core™ i7-11850HE	DDR4 SODIMM x 2	—	VGA x 1, LVDS x 1, DDI x 3	SATA III x 4	Intel® I226-LM x 1	USB 3.2 Gen 2 x 4 USB 2.0 x 8	2-Wire UART x 2 (Tx/Rx)	PCIe (x1) x 8 PCIe (x16) x 1	12V	0°C – 60°C	LPC, GPIO 8-bit, I2C, SMBus, SPI
COM-TGHB6-A11-0002	Type 6	Intel® Core™ i5-11500HE	DDR4 SODIMM x 2	—	VGA x 1, LVDS x 1, DDI x 3	SATA III x 4	Intel® I226-LM x 1	USB 3.2 Gen 2 x 4 USB 2.0 x 8	2-Wire UART x 2 (Tx/Rx)	PCIe (x1) x 8 PCIe (x16) x 1	12V	0°C – 60°C	LPC, GPIO 8-bit, I2C, SMBus, SPI
COM-TGHB6-A11-0003	Type 6	Intel® Core™ i3-11100HE	DDR4 SODIMM x 2	—	VGA x 1, LVDS x 1, DDI x 3	SATA III x 4	Intel® I226-LM x 1	USB 3.2 Gen 2 x 4 USB 2.0 x 8	2-Wire UART x 2 (Tx/Rx)	PCIe (x1) x 8 PCIe (x16) x 1	12V	0°C – 60°C	LPC, GPIO 8-bit, I2C, SMBus, SPI

Assured Systems

Assured Systems is a leading technology company with over 1,500 regular clients in 80 countries, deploying over 85,000 systems to a diverse customer base in 12 years of business. We offer high-quality and innovative rugged computing, display, networking and data collection solutions to the embedded, industrial, and digital-out-of-home market sectors.

US

sales@assured-systems.com

Sales: +1 347 719 4508
Support: +1 347 719 4508

1309 Coffeen Ave
Ste 1200
Sheridan
WY 82801
USA

EMEA

sales@assured-systems.com

Sales: +44 (0)1785 879 050
Support: +44 (0)1785 879 050

Unit A5 Douglas Park
Stone Business Park
Stone
ST15 0YJ
United Kingdom

VAT Number: 120 9546 28
Business Registration Number: 07699660