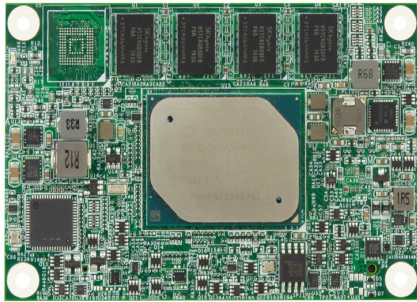




EmNANO-i2408



Intel Apollo Lake SoC Processor Mini COM Express® Type 10 CPU Module



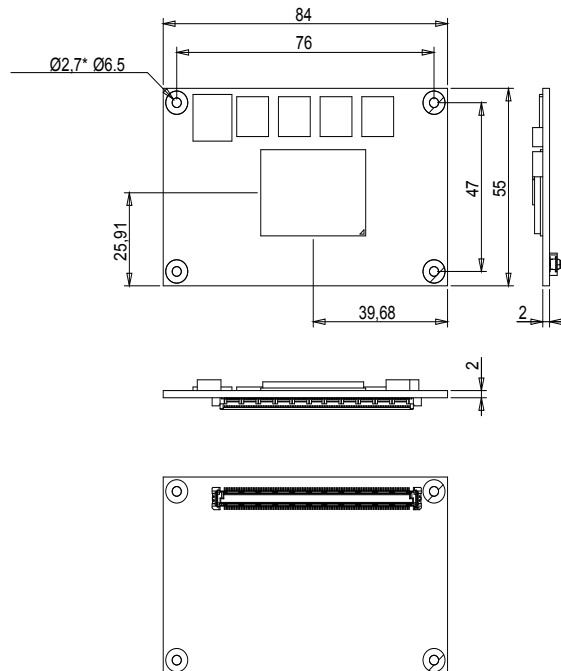
Features

- Soldered onboard Intel Apollo Lake SoC Processor
- Intel I210IT PCIe GbE controller
- Support Intel® Solid State Drive (SSD) Embedded "E SKU"
- Single Channel 24-bit LVDS and 1 x DDI port

Computer on Module

System	
CPU	Soldered onboard Intel® Atom™ x7-E3950 1.6GHz/ x5-E3940 1.6GHz/ x5-E3930 1.3GHz processor
Memory	Soldered onboard 4GB DDR3L SDRAM, upgradable to 8GB
BIOS	AMI UEFI BIOS
I/O	
USB Port	10 x USB ports: - 8 x USB 2.0 ports(Support USB2.0 only) - 2 x USB 3.0 SuperSpeed ports
Expansion Bus	4 x PCIe1 lanes up to 3 devices, I2C Interface, SDIO
Storage	2 x Serial ATA ports Soldered onboard eMMC 5.0 up to 32GB (OEM Request)
Ethernet Chipset	1 x Intel® i210IT PCIe GbE controller
Audio	HD audio link
TPM	INFINEON SLB 9665XT2.0
Display	
Graphic Chipset	Intergrated in Intel® HD graphic
Graphic Interface	LCD: Single Channel 24-bit via eDP to LVDS NXP PTN3460 1 x DDI port
OS support	
Windows 10 64-bit	
Linux: Ubuntu	

Mechanical & Environmental	
Power Requirement	5V/12V Auto detect
Power Consumption	0.8A@12V with E3940 (Typical with PBN-9007)
Operating Temp.	-40°C ~ 85°C (-40 ~ 185°F)
Operating Humidity	10 ~ 95% @ 85°C (non-condensing)
Dimensions (L x W)	84 x 55 mm (3.3" x 2.17")
Dimensions	

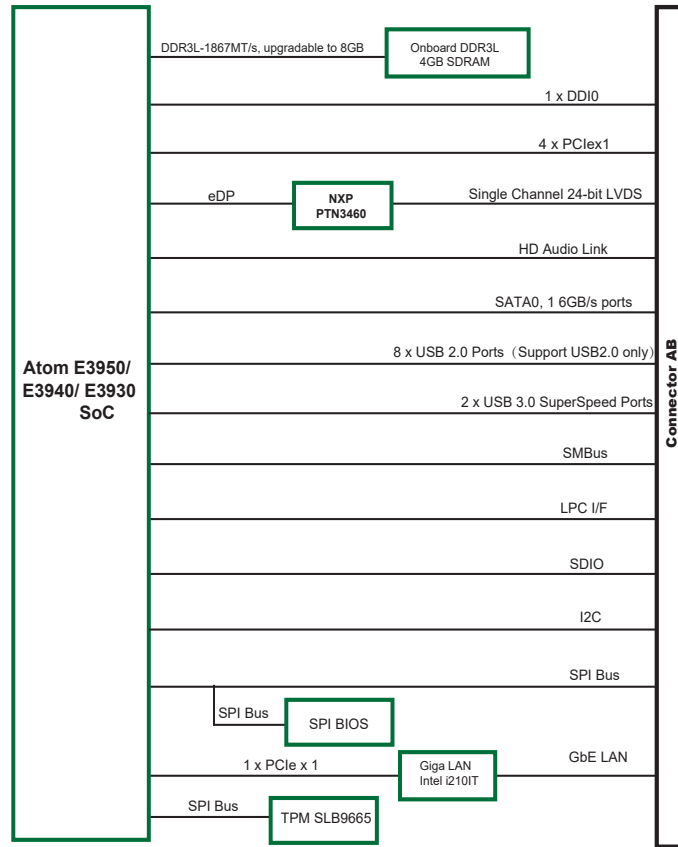


Unit : mm

All specifications are subject to change without notice.



Block Diagram



Ordering Information

EmNANO-i2408-WT-E3940-4G	Intel Atom x5-E3940 COM express Type 10 CPU module w/ 4GB memory soldered on module, -40°C~85°C
EmNANO-i2408-WT-E3950-4G (OEM request)	Intel Atom x7-E3950 COM express Type 10 CPU module w/ 4GB memory soldered on module, -40°C~85°C
EmNANO-i2408-WT-E3930-4G (OEM request)	Intel Atom x5-E3930 COM express Type 10 CPU module w/ 4GB memory soldered on module, -40°C~85°C

Optional Accessories

PBN-9007	PBN-9007 COM Express Mini Type 10 carrier board
HS-2402-F1-T (E Series)	Heat Spreader,AL,84*55*11mm,W/THREADED,W/PAD,ACE (for EmNANO-i2402-E39x0)
HS-2402-F1-NT (E Series)	Heat Spreader,AL,84*55*11mm,THROUGH HOLE,W/PAD,ACE (for EmNANO-i2402-E39x0)
PBN-9007 cable kit	1 x USB cable
CBK-05-9007-00	1 x Serial port cable
	1 x SATA cable
	1 x SATA Power cable
	1 x PS/2 cable

Assured Systems

Assured Systems is a leading technology company with over 1,500 regular clients in 80 countries, deploying over 85,000 systems to a diverse customer base in 12 years of business. We offer high-quality and innovative rugged computing, display, networking and data collection solutions to the embedded, industrial, and digital-out-of-home market sectors.

US

sales@assured-systems.com

Sales: +1 347 719 4508
Support: +1 347 719 4508

1309 Coffeen Ave
Ste 1200
Sheridan
WY 82801
USA

EMEA

sales@assured-systems.com

Sales: +44 (0)1785 879 050
Support: +44 (0)1785 879 050

Unit A5 Douglas Park
Stone Business Park
Stone
ST15 0YJ
United Kingdom

VAT Number: 120 9546 28
Business Registration Number: 07699660