

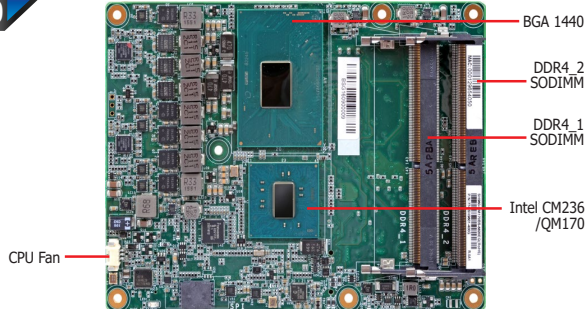


6th Gen Intel® Xeon®/Core™ Processor  
COM Express® Basic



# SH960-CM236/QM170

**CM236**  
**QM170**



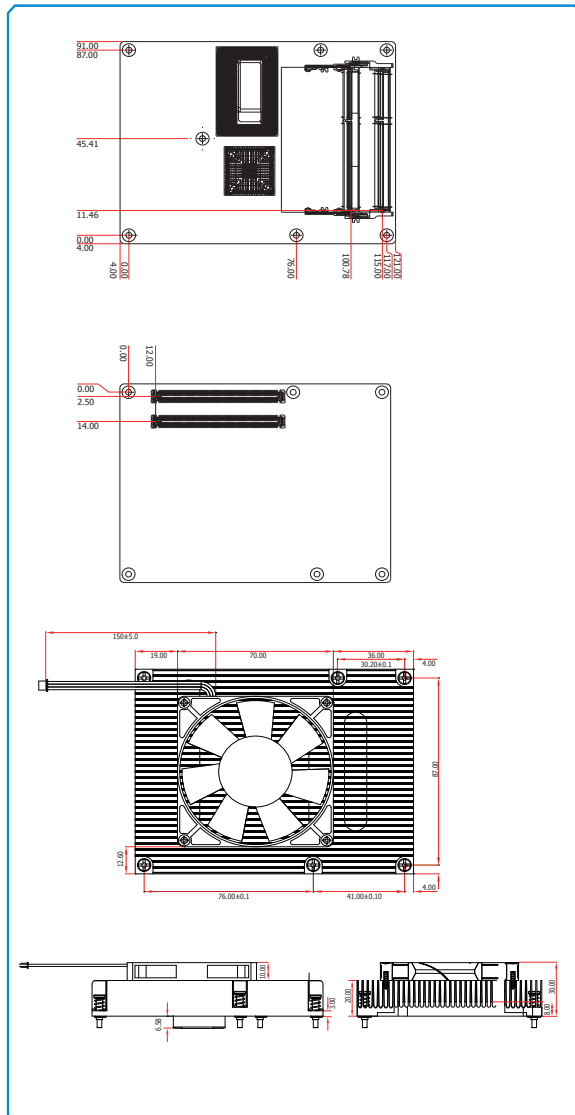
## Features

- Dual channel DDR4 2133MHz SODIMM up to 32GB
- Four display ports: VGA\*/DDI + LVDS\*/eDP + 2 DDI Supports three independent displays
- eDP resolution supports up to 4096x2304 @ 60Hz
- Multiple expansion: 1 PCIe x16, 8 PCIe x1
- Rich I/O: 1 Intel GbE, 4 USB 3.0, 8 USB 2.0

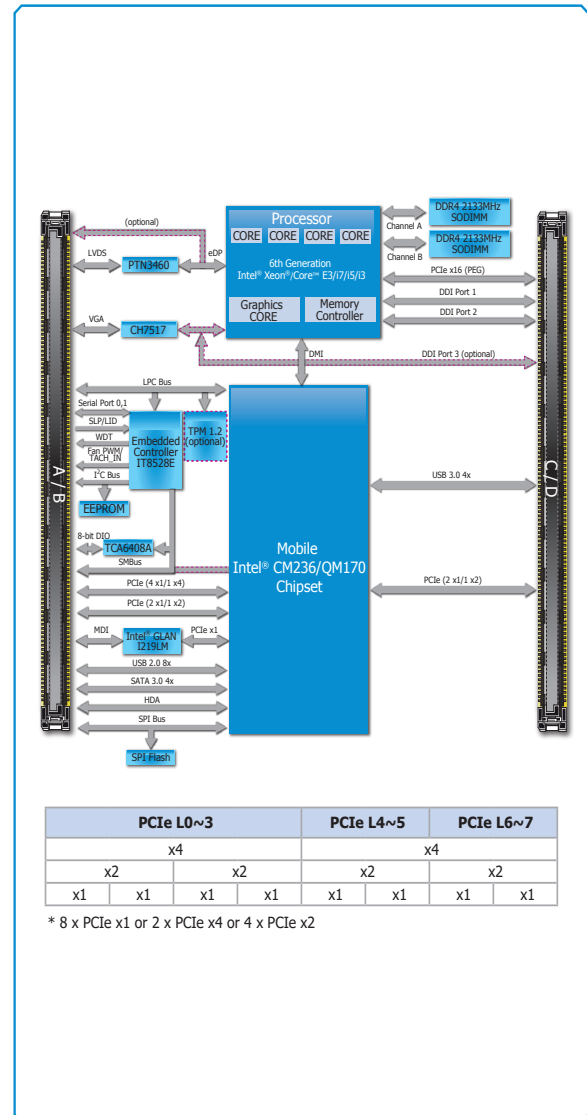
\* Populated by default



## Mechanical Drawing



## Block Diagram





**Specifications**

<b>SYSTEM</b>	<b>Processor</b>	6th Generation Intel® Core™ Processors, BGA 1440 Intel® Xeon® E3-1515M v5 Processor, Quad Core, 8M Cache, 2.8GHz (3.7GHz), 45W Intel® Core™ i7-6820EQ Processor, Quad Core, 8M Cache, 2.8GHz (3.5GHz), 45W Intel® Core™ i7-6822EQ Processor, Quad Core, 8M Cache, 2.0GHz (2.8GHz), 25W Intel® Core™ i5-6440EQ Processor, Quad Core, 6M Cache, 2.7GHz (3.4GHz), 45W Intel® Core™ i5-6442EQ Processor, Quad Core, 6M Cache, 1.9GHz (2.7GHz), 25W Intel® Core™ i3-6100E Processor, Dual Core, 3M Cache, 2.7GHz, 35W Intel® Core™ i3-6102E Processor, Dual Core, 3M Cache, 1.9GHz, 25W Intel® Celeron® Processor G3900E, Dual Core, 2M Cache, 2.4GHz, 35W Intel® Celeron® Processor G3902E, Dual Core, 2M Cache, 1.6GHz, 25W	
	<b>Chipset</b>	Intel® CM236 Chipset (Support ECC)	Intel® QM170 Chipset
	<b>Memory</b>	Two 260-pin SODIMM up to 32GB	Dual Channel DDR4 2133MHz
	<b>BIOS</b>	Insyde SPI 128Mbit	
<b>GRAPHICS</b>	<b>Controller</b>	Intel® HD Graphics	
	<b>Feature</b>	OpenGL up to 4.4, DirectX 12, OpenCL 2.1 HW Decode: AVC/H.264, MPEG2, VC1/WMV9, JPEG/MJPEG, HEVC/H265, VP8, VP9 HW Encode: AVC/H.264, MPEG2, JPEG, HEVC/H265, VP8, VP9	
	<b>Display</b>	1 x VGA/DDI (DDI available upon request) 1 x LVDS/eDP (eDP available upon request) 2 x DDI (HDMI/DVI/DP++)	VGA: resolution up to 1920x1200 @ 60Hz LVDS: dual channel 24-bit, resolution up to 1920x1200 @ 60Hz HDMI: resolution up to 4096x2160 @ 24Hz or 2560x1600 @ 60Hz DVI: resolution up to 1920x1200 @ 60Hz DP++/eDP: resolution up to 4096x2304 @ 60Hz
	<b>Triple Displays</b>	VGA + LVDS + DDI or VGA + DDI1 + DDI2	eDP + 2 DDI (available upon request)
<b>EXPANSION</b>	<b>Interface</b>	1 x PCIe x16 or 2 x PCIe x8 (Gen 3) 8 x PCIe x1 or 2 x PCIe x4 or 4 x PCIe x2 (Gen 3) 1 x LPC 1 x I <sup>2</sup> C 1 x SMBus 2 x UART (TX/RX)	
	<b>Interface</b>	HD Audio	
<b>AUDIO</b>	<b>Interface</b>	HD Audio	
<b>ETHERNET</b>	<b>Controller</b>	1 x Intel® I219LM with iAMT11.0 PCIe (10/100/1000Mbps)	
<b>I/O</b>	<b>USB</b>	4 x USB 3.0 8 x USB 2.0	
	<b>SATA</b>	4 x SATA 3.0 (up to 6Gb/s)	RAID 0/1/5/10
	<b>DIO</b>	1 x 8-bit DIO	
<b>WATCHDOG TIMER</b>	<b>Output &amp; Interval</b>	System Reset, Programmable via Software from 1 to 255 Seconds	
<b>SECURITY</b>	<b>TPM</b>	Available Upon Request	
<b>POWER</b>	<b>Type</b>	12V, 5VSB, VCC_RTC (ATX mode)	12V, VCC_RTC (AT mode)
	<b>Consumption</b>	Typical: i7-6820EQ: 12V @ 2.39A (28.62Watt) Max.: i7-6820EQ: 12V @ 5.84A (70.10Watt)	
<b>OS SUPPORT</b>		Windows 8.1 64-bit Windows 7 (/WES7) 32/64-bit Windows 10 IoT Enterprise 64-bit	Debian 8 (with VESA graphic driver) CentOS 7 (with VESA graphic driver) Ubuntu 15.10 (Intel graphic driver available)
<b>ENVIRONMENT</b>	<b>Temperature</b>	Operating: 0 to 60°C -40 to 85°C	Storage: -40 to 85°C
	<b>Humidity</b>	Operating: 5 to 90% RH	Storage: 5 to 90% RH
	<b>MTBF</b>	663,394hrs @ 25°C; 334,612 hrs @ 45°C; 193,307 hrs @ 60°C excluding accessories Calculation Model: Telcordia Issue 2, Method Case 3 Environment: GB, GC – Ground Benign, Controlled	
<b>MECHANICAL</b>	<b>Dimensions</b>	COM Express® Basic	95mm (3.74") x 125mm (4.9")
	<b>Compliance</b>	PICMG COM Express® R2.1, Type 6	

**Ordering Information**

Model Name	P/N	Processor	Memory	VGA/DDI	LVDS/eDP	GbE	USB 3.0	USB 2.0	Power	Thermal	Temp.
SH960-CM236BS-1515M	770-SH9604-D00G	E3-1515M v5	2 SODIMM	VGA	LVDS	1	4	8	ATX/AT	Cooler	0 to 60°C
SH960-QM170TS-6820EQ	770-SH9604-A00G	i7-6820EQ	2 SODIMM	VGA	LVDS	1	4	8	ATX/AT	Heat Spreader	-40 to 85°C
SH960-CM236BS-6100E	770-SH9604-E00G	i3-6100E	2 SODIMM	VGA	LVDS	1	4	8	ATX/AT	Cooler	0 to 60°C
SH960-CM236BS-3900E	770-SH9604-F00G	G3900E	2 SODIMM	VGA	LVDS	1	4	8	ATX/AT	Cooler	0 to 60°C
SH960-QM170BS-6440EQ	770-SH9604-600G	i5-6440EQ	2 SODIMM	VGA	LVDS	1	4	8	ATX/AT	Cooler	0 to 60°C
SH960-QM170BS-6820EQ	770-SH9604-400G	i7-6820EQ	2 SODIMM	VGA	LVDS	1	4	8	ATX/AT	Cooler	0 to 60°C
SH960-QM170BS-6822EQ	770-SH9604-500G	i7-6822EQ	2 SODIMM	VGA	LVDS	1	4	8	ATX/AT	Cooler	0 to 60°C
SH960-QM170BS-6442EQ	770-SH9604-700G	i5-6442EQ	2 SODIMM	VGA	LVDS	1	4	8	ATX/AT	Cooler	0 to 60°C

Note: Core i3 and Celeron are supported upon request with MOQ requirement.

**Packing List**

• 1 SH960-CM236/QM170 board	
• 1 DVD	
• 1 Cooler (Height: 36.58mm) or 1 Heat spreader (Height: 11mm)	Standard : A71-111026-000G A71-011073-000G

**Optional Items**

• COM332-B carrier board kit	770-CM3321-000G
• Heat spreader (Height: 11mm)	A71-011073-000G
• Cooler (Height: 45.3mm)	Wide-Temp : A71-111040-000G

## Assured Systems

Assured Systems is a leading technology company with over 1,500 regular clients in 80 countries, deploying over 85,000 systems to a diverse customer base in 12 years of business. We offer high-quality and innovative rugged computing, display, networking and data collection solutions to the embedded, industrial, and digital-out-of-home market sectors.

### US

[sales@assured-systems.com](mailto:sales@assured-systems.com)

Sales: +1 347 719 4508  
Support: +1 347 719 4508

1309 Coffeen Ave  
Ste 1200  
Sheridan  
WY 82801  
USA

### EMEA

[sales@assured-systems.com](mailto:sales@assured-systems.com)

Sales: +44 (0)1785 879 050  
Support: +44 (0)1785 879 050

Unit A5 Douglas Park  
Stone Business Park  
Stone  
ST15 0YJ  
United Kingdom

VAT Number: 120 9546 28  
Business Registration Number: 07699660