

G-WIN[®]

Military Grade Military Panel PC

R15ID3S-MLC3HB

Feature:

- ◆ Ultra Low Power Atom D2550 1.86GHz Processor Fanless Design
- ◆ High Quality 15" Panel, 1024*768 resolution, 800 nits
- ◆ Aluminum Die-casting Housing with Anti-Corrosion Treatments
- ◆ Military Grade connector with VESA mount.
- ◆ MIL-STD-810F/G Compliant
- ◆ Build in ambient Light sensor
- ◆ Wide Range 9 to 36V DC Input Acceptable

Option feature:

- ◆ Optical Bonding with Anti-moisture treatment (Optional)
- ◆ 5 Wire Resistive Touch/ Anti-Reflective Protection Glass
- ◆ MIL-STD-461E/F (By Request)
- ◆ EMI Glass/Touch (By Request)



G-WIN

System Specifications

- Processor : Intel[®] Atom Dual-Core D2550 1.86GHz Processor
- BIOS : AMI System BIOS
- System Chipset : Intel[®] NM10 Chipset
- System Memory : 1 x SODIMM DDR3 2GB, default 2GB, Max. 4GB
- Wireless (Optional) : IEEE802.11 b/g/n for optional
- LAN Controller : Dual Broadcom BCM57780 GigaLAN
- Storage : mSATA SSD, default 32GB
- Expansion Slot : 1 x Mini PCIe

Display Specification

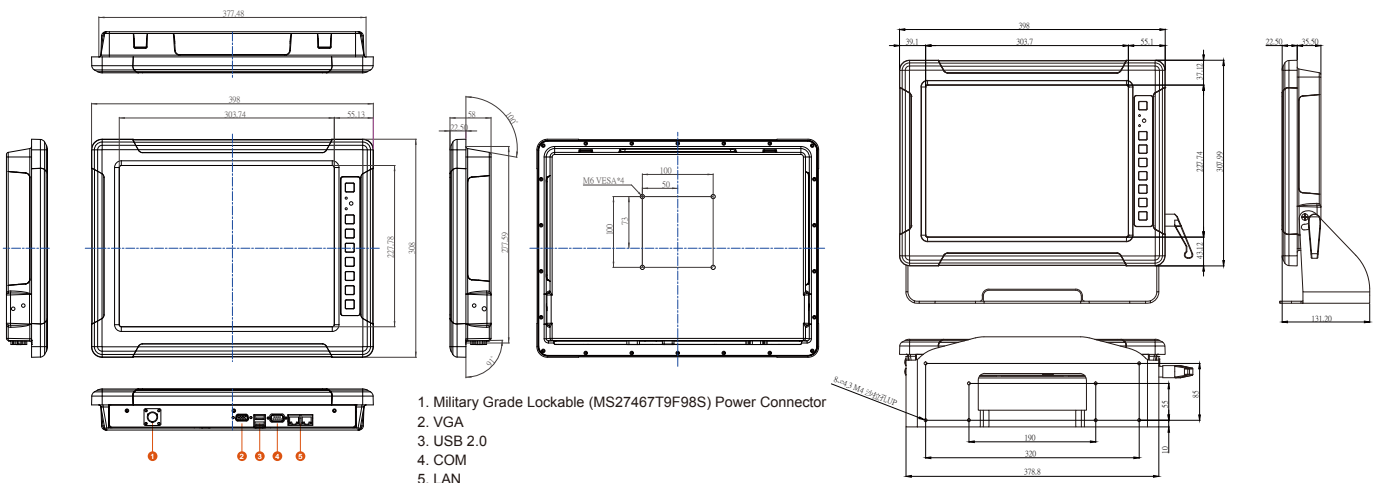
- Size : 15 inch
- Resolution : 1024x768 pixels
- Brightness : 1000 (nits)
- Touch or Glass : 5 Wire Resistive / AR Glass

In Front Control

Control button: Power On/ Off, Reset, Brightness up & down, Lock & unlock, Auto-dimming & manual dimming, Day & night mode, LED adjustment

LED indicator : Power Status, HDD Status

Drawing w/ Mounting Bracket



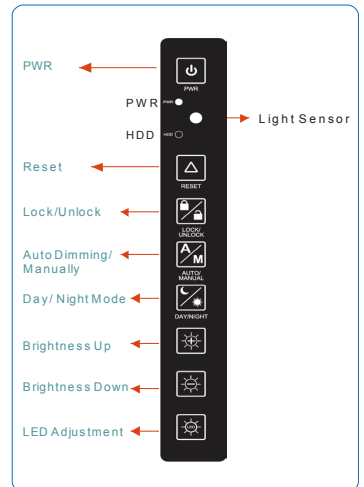
Certifications

CE/FCC Class B
MIL810F/G / IEC60068-2-27 for Vibration /Shock

Mechanical and Environment

- Dimensions (W x L x H) : 398 mm x 308 mm x 58mm
- Operation Temperature : -10deg. C to 55 deg. C
- Operation Humidity : 10% to 95% (non condensing)
- Shock : Operating: 40g for 11ms
- Vibration : Operating: 1.62/2.02/2.20g rms for XYZ / 5-500Hz

◇ Front OSD control function:



Assured Systems

Assured Systems is a leading technology company with over 1,500 regular clients in 80 countries, deploying over 85,000 systems to a diverse customer base in 12 years of business. We offer high-quality and innovative rugged computing, display, networking and data collection solutions to the embedded, industrial, and digital-out-of-home market sectors.

US

sales@assured-systems.com

Sales: +1 347 719 4508
Support: +1 347 719 4508

1309 Coffeen Ave
Ste 1200
Sheridan
WY 82801
USA

EMEA

sales@assured-systems.com

Sales: +44 (0)1785 879 050
Support: +44 (0)1785 879 050

Unit A5 Douglas Park
Stone Business Park
Stone
ST15 0YJ
United Kingdom

VAT Number: 120 9546 28
Business Registration Number: 07699660