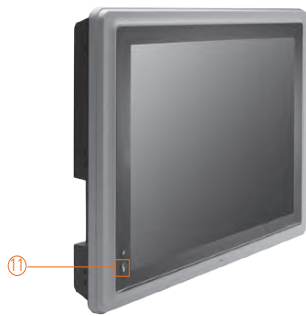


MPC152-832

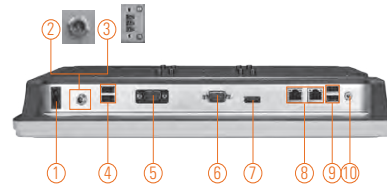
15" XGA TFT Medical Grade Fanless Touch Panel Computer with Intel® Atom™ Processor D2550

Features

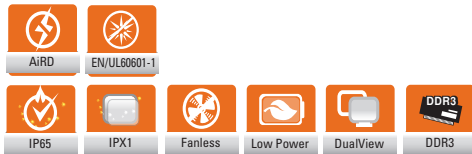
- 15" XGA TFT LCD display with LED backlight
- Fanless cooling system with Intel® Atom™ processor D2550
- UL 60601-1, EN 60601-1, CE and FCC class B certified
- IP65 front bezel and IPX1 full enclosure water/dust proof design
- One On/Off touch key
- Ultra slim thickness of 54.6 mm
- Super light weight of 3.2 kg
- Supports optional panel mount/wall mount/VESA arm/desktop stand



▲ Side view



1. Power switch (ATX)
2. Screw conn. w/ AC power adapter or
3. Terminal block for DC power input
4. USB 2.0 x 2
5. Isolation COM 3 (RS-232)
6. COM 1 (RS-232/422/485)
7. DisplayPort
8. Ethernet x 2
9. USB 2.0 x 2
10. Audio (Line-out)
11. Touch On/Off button



Introduction

The MPC152-832 is a 15" Intel® Atom™-based medical fanless grade touch panel computer which is well-suited for applications like medical image processing and medical measuring instrument. Especially designed for the medical environment, it adopts whole system IPX1 and front IP65 waterproof design which protects the entire system from outside liquid, preventing system from crashing. The cost-effective panel PC supports Intel® Atom™ processor D2550 1.86 GHz.

Super Slim & Ultra Lightweight Design

The MPC152-832 is a super slim touch panel computer for space-limited environment with its thickness of 54.6 mm and weight of 3.2 kg. Besides, it provides two types of power input. One is medical grade AC medical power adapter with screw type connector, and the other is DC power input (10-30 VDC) with terminal block connector (optional).

Built-in Internal WLAN

The MPC152-832 provides a PCI Express Mini Card slot and a built-in WLAN antenna for wireless network connections. By simply plugging in the wireless LAN card, customers can use the 15-inch medical computer in a wireless LAN/GPRS/ GSM/4G environments.

Certifications

This medical panel platform complies with UL 60601-1, EN 60601-1, CE, FCC Class B certifications to ensure medical operation safety.

Specifications

Front Bezel	IP65, NEMA 4 rugged protection, plastic front bezel
LCD Panel	Display Type 15" XGA TFT LCD with LED backlight
	Brightness (cd/m ²) 400 nits
	Resolution 1024 x 768
	Viewing Angle (H/V) 160°/140°
Main System	CPU Intel® Atom™ processor D2550 dual-core @1.86 GHz
	Chipset Intel® NM10
	System Memory 1 x 204-pin DDR3-800/1066 MHz SO-DIMM, up to 4GB
	BIOS AMI 8 Mbit with RPL/PXE LAN boot ROM
	Storage 1 x 2.5" SATA HDD 1 x CompactFlash™
	Watchdog Timer 255 levels, 0-255 sec.
	Onboard Graphics Integrated in Intel® GFX

Specifications

I/O Connector	1 x RS-232 (COM 3 w/4KV isolation) 1 x RS-232/422/485 (COM 1) 1 x DisplayPort 1 x Audio (Line-out) 4 x USB 2.0 2 x 10/100/1000 Mbps Ethernet (Intel® i210IT)
Expansion Interface	1 x PCI Express Mini Card slot
Touch screen	Resistive type One touch key on/off
Power Supply	1. AC version: medical grade 100-240 V AC-DC, 60 W power adapter 2. DC version: 10-30 VDC with terminal block
Dimensions	387.9 mm (15.27") (W) x 54.6 mm (2.14") (D) x 307.7 mm (12.11") (H)
Packing Dimensions	510 mm (20.08") (W) x 105 mm (4.13") (D) x 385 mm (15.16") (H)
Weight(net/gross)	3.2 kg (7.05 lb)/5.1 kg (11.24 lb)
Environment	Operating temperature: 0°C ~ +40°C (+32°F ~ +104°F) Relative humidity: 20% ~ 90% @ 40°C; non-condensing Operation vibration: 2G, 5 ~ 500Hz, random for CFast™
Certificate	CE, FCC class B, UL 60601-1, EN 60601-1

* The DC power source to be used with MPC152-832 must be galvanically isolated according to IEC 60601-1 safety of medical devices!

Ordering Information

Standard	
MPC152-832-J	15" XGA medical fanless touch panel computer with Intel® Atom™ processor D2550, 5-wire resistive touch screen, AC-DC 60 W medical grade power adapter (screw type connector), EMI class B, UL 60601-1 and EN 60601-1 certified
MPC152-832-DC	15" XGA medical fanless touch panel computer with Intel® Atom™ processor D2550, 5-wire resistive touch screen, 10-30 VDC power input (terminal block connector), UL 60601-1 and EN 60601-1 certified

Optional

Wi-Fi + Bluetooth kit
Panel mount kit

* Specifications and certifications may vary contingent on options.

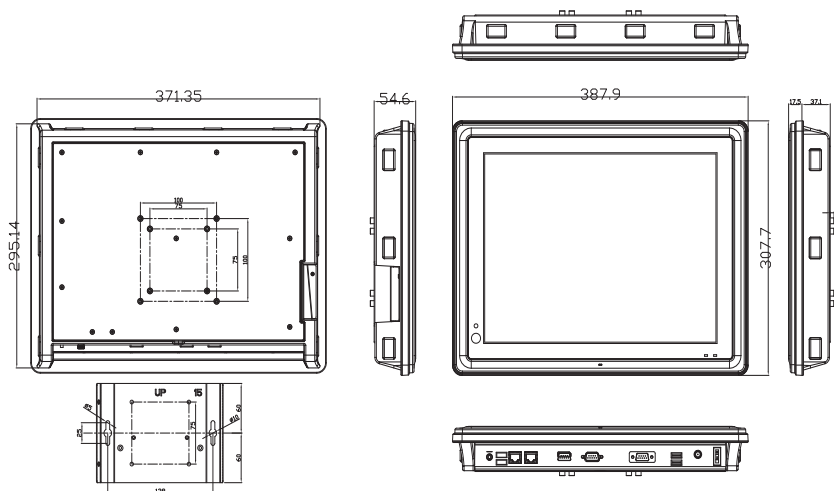
Optional EOS Installation

WES7
WES

Optional OS Installation

Windows® 7
Windows® XP

Dimensions



* All specifications and photos are subject to change without notice.



0
1
2
3
4
5
6
7
8
9

Medical Panel Computers

Assured Systems

Assured Systems is a leading technology company with over 1,500 regular clients in 80 countries, deploying over 85,000 systems to a diverse customer base in 12 years of business. We offer high-quality and innovative rugged computing, display, networking and data collection solutions to the embedded, industrial, and digital-out-of-home market sectors.

US

sales@assured-systems.com

Sales: +1 347 719 4508
Support: +1 347 719 4508

1309 Coffeen Ave
Ste 1200
Sheridan
WY 82801
USA

EMEA

sales@assured-systems.com

Sales: +44 (0)1785 879 050
Support: +44 (0)1785 879 050

Unit A5 Douglas Park
Stone Business Park
Stone
ST15 0YJ
United Kingdom

VAT Number: 120 9546 28
Business Registration Number: 07699660