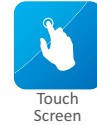


IPPS-15" Narrow Bezel Series

15" Front IP65 P-CAP Panel PC



- 15" LCD, 1024 x 768 pixel
- 10 points P-CAP touch screen
- Front IP 65
- True Flat Design
- Fanless design

Product Specification

System color	Silver or dark grey	
Mechanical	Aluminum and Heavy-duty steel	
	IPPS-1502	IPPS-1568
Display	15" XGA TFT LCD	
Display type	15" XGA TFT LCD	
Display area (mm)	304.1(H) x 228.1(V) mm	
Aspect ratio	4:3	
Resolution	1024 x 768 pixel	
Luminance/Brightness	350 cd/m ²	1600 cd/m ²
Color	16.2M	16.7M
Color saturation (NTSC)	60%	69%
Pixel pitch (H/V)	0.297mm x 0.297mm	
Contrast ratio	700 : 1 (typ.)	1000 : 1 (typ.)
Response time (Typical)	8ms	8ms
Viewing angle (H/V)	170°/160° (typ.)	160°/160° (typ.)
Backlight MTBF	50,000 hrs (typ.)	70,000 hrs (typ.)
Touch screen type	P-CAP 10 points touch screen	
LCD Power consumption	10.9W	14W
Environment	Front IP65	
IP level	Front IP65	
Operating temperature	0°C ~ 50°C (-20°C optional)	
Storage temperature	-30°C ~ 80°C	
Relative humidity	0% ~ 90% (non-condensing)	
Dimensions(w/o BOX PC)	358.34mm(W) x 27.8mm(D) x 281.34mm(H)	
Weight(w/o BOX PC)	3.5 kg	

Optional

Power cord	US/EUR/UK/JP
Power adapter	90~264VAC.60W ADAPTER (VL22002000AH)

Mix and Match with

B Type



C Type



D Type

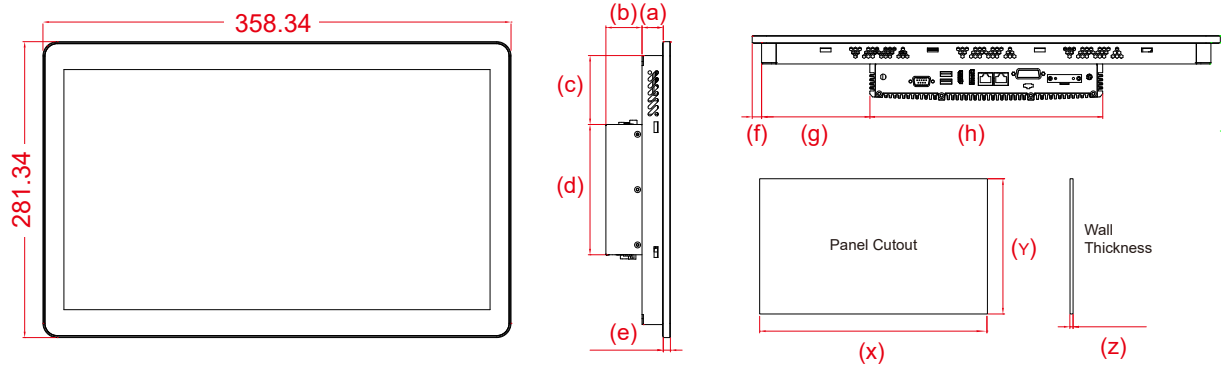


E Type





Dimensions



	Dimensions (mm)								Cut Size (mm)			
	(a)	(b)	(c)	(d)	(e)	(f)	(g)	(h)	(X)	(Y)	(Z Min.)	(Z Max.)
B Type	31.8	35	74.1	117.7	6	18.1	89.4	169	348.7	270	1	3
C Type	31.8	49.8	72.9	123.2	6	18.1	84.9	178				
D Type	31.8	44.5	62.5	146	6	18.1	43.4	261				
E Type	31.8	63.9	60.1	146	6	18.1	43.9	260				

Ordering Information

IBox Type	System Type	Panel Type	Form Platform	Chassis Type	*CPU ID	Accessory serial number
B Type	: IPPS	- 1502 / 1568 -	BYT 1 - BSW 1 APL 7 SKL 2	BPNO -	1~3 1~4 1~5 1~4	000
C Type	: IPPS	- 1502 / 1568 -	BYT 1 - BSW 1 APL 7 SKL 2	CPNO -	1~3 1~4 1~5 1~4	000
D Type	: IPPS	- 1502 / 1568 -	BYT 1 - BSW 1 APL 7 SKL 2	DPNO -	1~3 1~4 1~5 1~4	000
E Type	: IPPS	- 1502 / 1568 -	SKL 2 - HSW 1	EPNO -	1~3 1~2	000

B Type : IPPS-1502-BYT1-BPNO-1000
 ↑
 Modular Panel PC
 Mix and Match Yourself
 ↓
 E Type : IPPS-1568-HSW2-EPNO-2000

*CPU ID	BYT1	BSW1	SKL2	HSW1	APL7
1	E3825	N3010	3955	i3-4102E	E3930
2	E3845	N3060	i3-6100	i5-4402E	E3940
3	J1900	N3160	i5-6300		E3950
4		N3710	i7-6600		N3350
5					N4200

Assured Systems

Assured Systems is a leading technology company with over 1,500 regular clients in 80 countries, deploying over 85,000 systems to a diverse customer base in 12 years of business. We offer high-quality and innovative rugged computing, display, networking and data collection solutions to the embedded, industrial, and digital-out-of-home market sectors.

US

sales@assured-systems.com

Sales: +1 347 719 4508
Support: +1 347 719 4508

1309 Coffeen Ave
Ste 1200
Sheridan
WY 82801
USA

EMEA

sales@assured-systems.com

Sales: +44 (0)1785 879 050
Support: +44 (0)1785 879 050

Unit A5 Douglas Park
Stone Business Park
Stone
ST15 0YJ
United Kingdom

VAT Number: 120 9546 28
Business Registration Number: 07699660