



# W10FA3S-GSH2

10.1" NXP i.MX6 G-WIN GS-Series Full IP65 PCAP Panel PC



### KEY FEATURES

- 10.1" 1280 x 800 PCAP touchscreen
- NXP i.MX6 Dual Core 1GHz
- Fanless cooling system
- Ultra-low power consumption
- Full IP65

### INTRODUCTION

Winmate G-WIN GS Series Panel PC Series is engineered for demanding industrial applications, offering sizes from 7" to 15" with a fanless cooling system and ultra-low power consumption. These robust Panel PCs feature edge-to-edge design, PCAP multi-touch screens, and full IP65 protection with waterproof M12 connectors, ensuring resistance to water, dust, and harsh conditions. With versatile I/O options, rugged durability, and sleek functionality, they are ideal for manufacturing, outdoor kiosks, and other challenging environments.

### OVERVIEW



#### Easy-to-Clean Flat Surface

Winmate's Flat aluminum display goes beyond that of the standard industrial panel computers with its elegant, edge-to-edge design. The Panel PC is easy to clean, plus the screen is resistant to water and liquid droplets.

#### Dust and Water Protection

The dust and waterproof Panel PC complies with IP65 standards. Plus, the M12 connectors are waterproof for varying industrial environments.



#### Fanless Cooling System

The fanless design eliminates dust circulation for improved product longevity – especially in heavy-duty applications where dusty conditions are prevalent.



No. 18, Zhongxing S. St., Sanzhong Dist., New Taipei City 241017, Taiwan (R.O.C.)  
Tel: +886-2-8511-0288  
Website: www.winmate.com

Revised: V.211117.241224



**Comprehensive I/O Ports**

Combining ruggedness with a range of I/O ports makes this device highly usable for heavy-duty industrial applications. Plus, the waterproof connectors come with screw-on caps for added protection.



**Anti-Shock and Vibration**

The G-Win series is as tough as it gets. The Panel PCs are compliant with MIL-STD-810G, and the aluminum die-casting is rock solid. Plus, optical bonding technology with anti-moisture treatment and resistive coating ensure the screen and housing are both rugged to the max.

**SPECIFICATIONS**

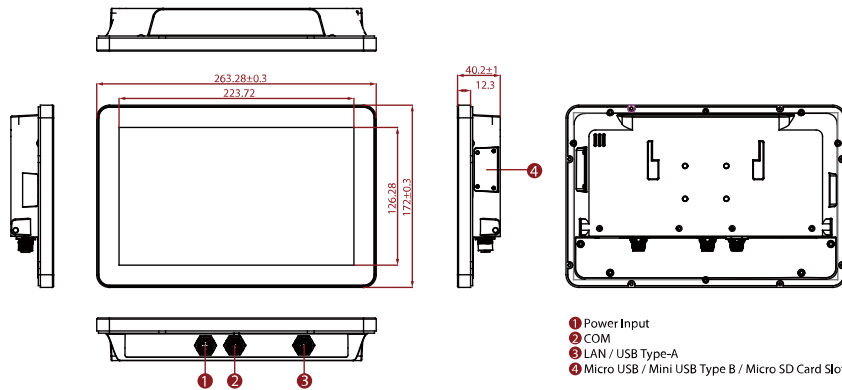
System Specification			
<b>Processor</b>	NXP i.MX6 Dual Core, 1.0GHz	<b>Memory</b>	1GB 2GB (Optional)
<b>Storage</b>	Onboard 16GB eMMC Onboard 32GB eMMC (Optional)	<b>Operating System</b>	Linux Ubuntu 18.04 (Optional) Android 6.0 (Optional) Debian 7.0 (Optional) Linux 4.1.15 QT 5.5 (Optional)
Display			
<b>Resolution</b>	1280x800	<b>Size</b>	10.1 inches
<b>Contrast Ratio</b>	800:1	<b>Panel Brightness</b>	350 nits 1000 nits(Optional)
<b>View Angles</b>	85,85,85,85	<b>Active Area</b>	216.96 x135.6 mm
<b>Touch / Glass</b>	Projected Capacitive Multi Touch Screen Protection Glass (Optional)		
Environment			
<b>Operating Humidity</b>	10% to 95% RH	<b>Operating Temperature</b>	-15 °C to 55 °C
<b>Storage Temperature</b>	-30°C to 60°C	<b>Shock</b>	40g for 11ms
<b>Vibration</b>	1.48/1.90/2.24 g rms for XYZ/ 5-500Hz	<b>IP rating</b>	Full IP65
Certification			
<b>Certification</b>	Compliant with MIL-STD-810F/G for vibration / shock, CE, FCC		
IO Ports			
<b>USB Port</b>	1 X USB 2.0 (M12 type)	<b>Serial Port</b>	1 x RS232 (M12 type)(Optional 422/485)
<b>SD Card Slot</b>	1 x Micro SD Card Slot	<b>Audio</b>	1 x Speaker
<b>LAN</b>	1 x LAN-10/100/1000 (M12 type)		
Mechanical			
<b>Dimension</b>	263.28 x 172 x 40.2 mm	<b>Mounting</b>	VESA Mount/ Panel Mount
<b>Enclosure</b>	Aluminum	<b>Cooling System</b>	Fanless Design
Power			
<b>Power Rating</b>	12V DC (M12 type)		
Accessory			
<b>Accessory</b>	Quick Start Guide (Hardcopy) Driver CD & User Manual M12 Power Cable M12 Serial Interface Cable M12 USB/ LAN Cable I/O Protective Cap x 3		

**DIMENSIONS** UNIT:MM

**NOTE**

1. This is a simplified drawing and some





components are not marked in detail.  
 2. Please contact our sales representative if you need further product information.  
 3. All specifications are subject to change without prior notice.  
 4. The product shown in this datasheet is a standard model. For diagrams that contain customized or optional I/O, please contact the Winmate Sales Team for more information.

## Assured Systems

Assured Systems is a leading technology company with over 1,500 regular clients in 80 countries, deploying over 85,000 systems to a diverse customer base in 12 years of business. We offer high-quality and innovative rugged computing, display, networking and data collection solutions to the embedded, industrial, and digital-out-of-home market sectors.

### US

[sales@assured-systems.com](mailto:sales@assured-systems.com)

Sales: +1 347 719 4508  
Support: +1 347 719 4508

1309 Coffeen Ave  
Ste 1200  
Sheridan  
WY 82801  
USA

### EMEA

[sales@assured-systems.com](mailto:sales@assured-systems.com)

Sales: +44 (0)1785 879 050  
Support: +44 (0)1785 879 050

Unit A5 Douglas Park  
Stone Business Park  
Stone  
ST15 0YJ  
United Kingdom

VAT Number: 120 9546 28  
Business Registration Number: 07699660