

# PPC-Z153R



15" IP66/69K Waterproof Stainless Steel 5 Wire Resistive Touch Panel PC with Intel® Pentium® N4200 Processor



## Features

- 15" LCD Panel with 5-Wire Resistive
- Intel® Pentium® N4200 Processor
- Support 1024 x768 resolution
- Completely Flat Front Panel Design
- Stainless Steel SUS316, Full IP66/69K Waterproof
- Support VESA Mounting and Yoke Mounting

## Applications

- Food & Beverage Processing Application
- Hospitality and Catering Service
- Pharmaceutical and Biopharmaceutical Equipment
- Animal Feed Production Facility
- Chemical, Gas & Oil Critical Environment

### → Packing List

Description
1 x PPC-Z153R

### → Optional Items

Part No.	Description
APW-60M12V-01	12V, 60W, 5A, 5-pin M12 Connector (US)
APW-60M12V-02	12V, 60W, 5A, 5-pin M12 Connector (EU)
AKT-USB2M12	M12 Connector to USB Cable, 2m
AKT-USB32M12	M12 Connector to USB3.0 Cable, 2m
AKT-COM2M12	M12 Connector to DB9 Cable, 2m
AKT-VGA2M12	M12 Connector to DB15 Cable, 2m
AKT-LAN2M12	M12 Connector to LAN Cable, 2m
ACS-100-STD	VESA Table Stand
AWD-WF006	wifi 802.11 a/b/g/n/ac/BT4.0 (2T2R) + 2 IP66 antenna(dual band), miniPCIe Half size
AWD-WF007	wifi 802.11 b/g/n/BT4.0 (1T1R) + 1 IP66 antenna(dual band), mini PCIe Half size

### → Ordering Information

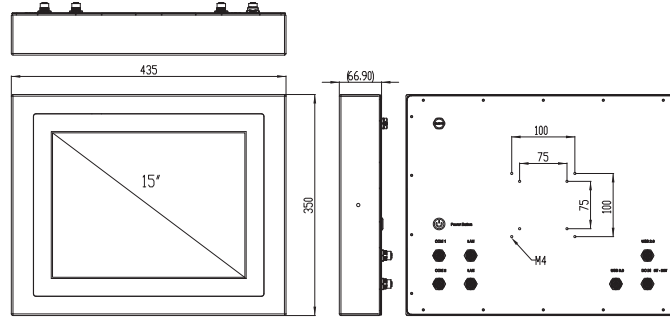
Part No.	Description
PPC-Z153R-B6A1	15" 4:3 (1024 x 768), 300nits, Stainless Steel 316 Full IP66/69K Protection, Fanless Panel PC with Intel® Pentium™ N4200 CPU, 5-Wire Resistive Touch, 4G RAM, 64G SSD, 1 USB 3.0, 2 USB 2.0, 1 RS-232, 1 RS-232/422/485, 2 GbE, DC 9-36 V (M12 Connector)

www.arestech.com.tw

# PPC-Z153R

**Arestech**

→ **Dimensions**



→ **Specifications**

Model		PPC-Z153R-B6A1
Processor System	CPU	Intel® Pentium® N4200
	Frequency	Quad-Core up to 2.5 GHz
	L2 Cache	2 MB
	System Chipset	N/A
Memory	BIOS	UEFI
	Technology	DDR3L 1866 MHz SDRAM
	Max. Capacity	8 GB
Display	Socket/ (On Board)	Dual SO-DIMM Socket
	Panel Size	15" LED Panel
	Aspect Ratio	4:3
	Resolution	1024 x 768 (XGA)
	Viewing Angle	80 x 80 (H) x 80 x 80 (V)
	Brightness	300 (cd/m <sup>2</sup> )
	Contrast Ratio	600:1
Touchscreen	VGA / HDMI / DP / DVI	1, VGA, Up to 1920 x 1200 @ 60Hz, M12 Connector
	Multi Display	LCD + VGA or LCD + HDMI
	Touchscreen Type	5-Wire Resistive
	Surface Hardness	3 Mohs
I/O Interface	Durability	N/A
	Transparency	80% (±3%)
	USB	3, 1 USB 3.0, 2 USB 2.0 (M12 Connector)
	Serial Port	2, COM (1 RS232, 1 RS232/422/485) (M12 Connector)
	Digital I/O	N/A
Expansion	Ethernet	Dual GbE, 10/100/1000 Mbps (Intel i219V, i211), M12 Connector
	Others	N/A
Audio	miniPCIe/ M.2 Slot	1 Mini PCIe (Full-size)
	PCI/ PCIe Slot	N/A
Storage	Connector	N/A
	HDD/SSD	1, Internal 2.5" HDD/SSD
Power	mSATA/ M.2 / eMMC	Supports 1 M.2 B/M Key 2242
	Power On Model	AT/ATX
	Power Supply Voltage	9~36 V DC input
	Connector Type	M12 Connector
Mounting	Battery	Lithium 3 V / 210 mAh
	VESA Mount	75mmx 75mm; 100mm x 100mm
	Panel Mount	N/A
Environment	Others	Yoke Mount
	Operating Temperature	-20~60° C (-4~140°F) w/ 2.5" Extended Temperature RAM & SSD
	Storage Temperature	-40~85° C (-40~185° F)
	Humidity	5~95% @ 40° C, non-condensing
	Vibration	5-500 Hz, 0.026 G <sup>2</sup> /Hz, 2.16 Grms, X, Y, Z, 1 hour per axis
General	Shock	20 G, IEC 60068-2-27, half sine, 11 ms duration
	Certification	TBD
	Thermal Dissipation	Fanless
	Material, Surface Finish	Stainless steel 316, Brush polish
	Ingress Protection	Full IP66/IP69K Protection
	Dimensions (L x W x H)	435 x 350 x 66.9 mm (17.12" x 13.77" x 2.63")
	Net Weight	7.41 kg
Operating System	Windows 10 IoT, Linux	

Tel: +886-2-8287-9168 Fax: +886-2-8287-2577 Email: [service@arestech.com.tw](mailto:service@arestech.com.tw)

## Assured Systems

Assured Systems is a leading technology company with over 1,500 regular clients in 80 countries, deploying over 85,000 systems to a diverse customer base in 12 years of business. We offer high-quality and innovative rugged computing, display, networking and data collection solutions to the embedded, industrial, and digital-out-of-home market sectors.

### US

[sales@assured-systems.com](mailto:sales@assured-systems.com)

Sales: +1 347 719 4508  
Support: +1 347 719 4508

1309 Coffeen Ave  
Ste 1200  
Sheridan  
WY 82801  
USA

### EMEA

[sales@assured-systems.com](mailto:sales@assured-systems.com)

Sales: +44 (0)1785 879 050  
Support: +44 (0)1785 879 050

Unit A5 Douglas Park  
Stone Business Park  
Stone  
ST15 0YJ  
United Kingdom

VAT Number: 120 9546 28  
Business Registration Number: 07699660