

KS156P-EHL



15.6" Industrial Touch Panel PC



KEY FEATURES



CPU Performance

Intel® Atom® x6425E Processor, Quad Core
Intel® Atom® x6413E Processor, Quad Core



Touch Type

Projected Capacitive Touch



Dual Display

HDMI + DP++



Multiple Expansions

M.2 2242/2280/3052 B Key
M.2 2230 E Key



Wide Voltage

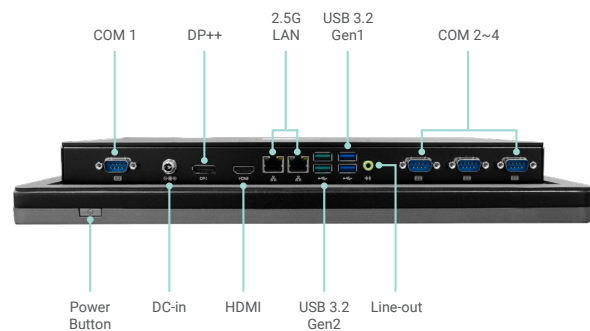
Support 9 ~ 36V



PANEL

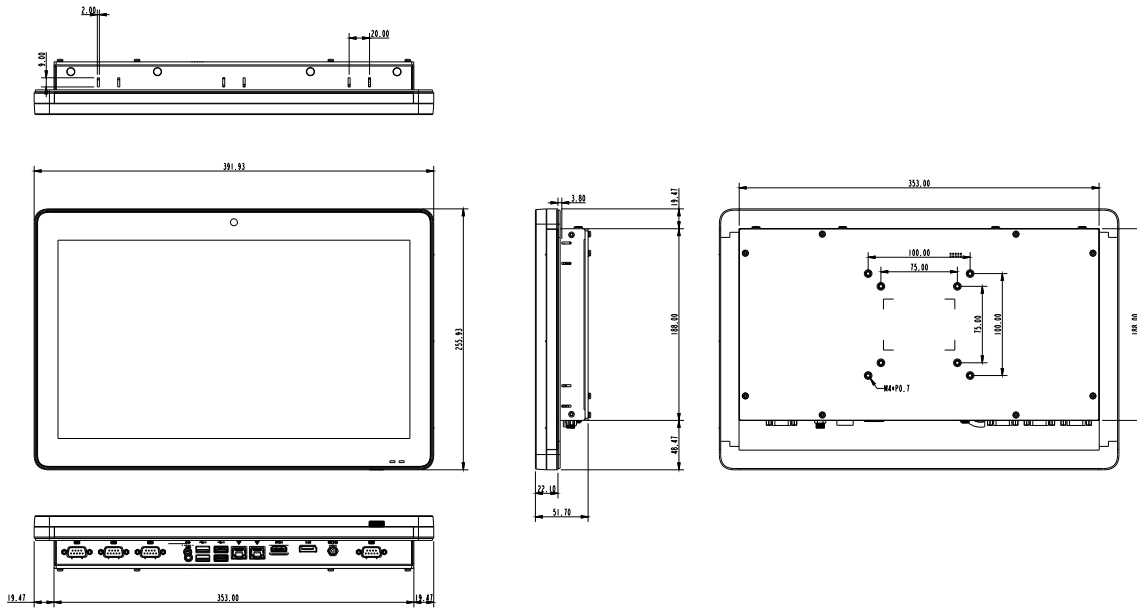


Top View

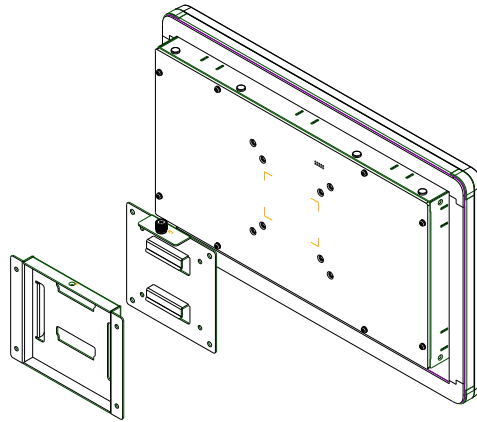


Bottom View

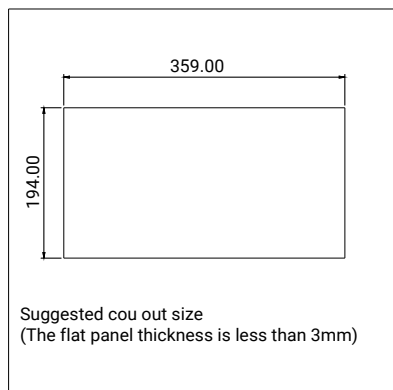
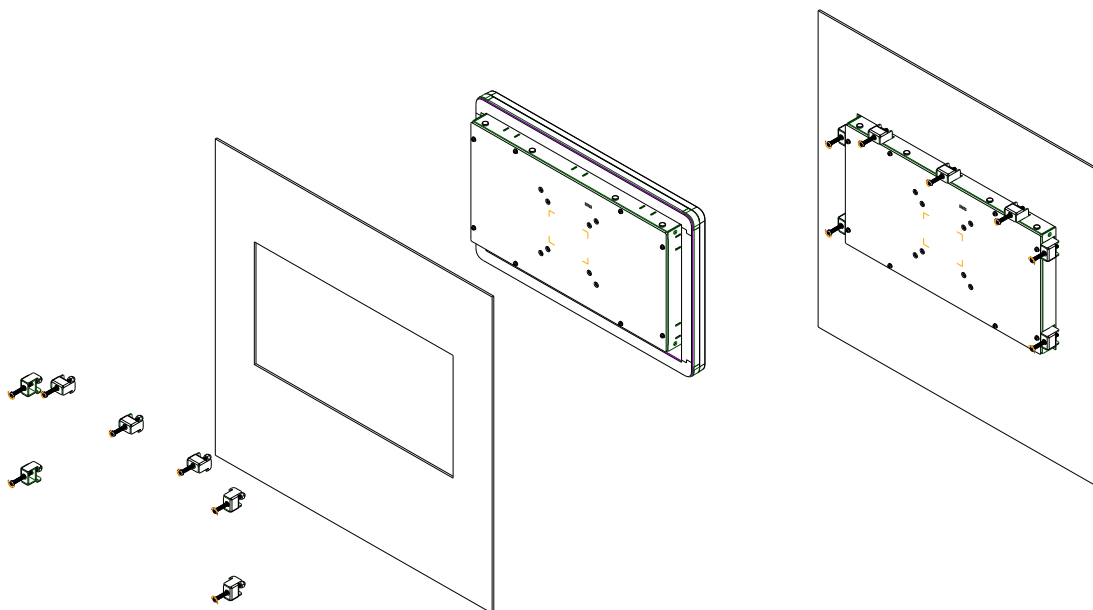
DIMENSIONS



VESA MOUNTING



PANEL MOUNTING



SPECIFICATION

| | | | |
|-----------------------------|-----------------------|---|--|
| DISPLAY AND TOUCH SCREEN | Display | 15.6" TFT LCD Panel | |
| | Contrast | 16 : 9 | |
| | Max. Resolution | 1920 x 1080 | |
| | Touch Type | Projected Capacitive | |
| | Brightness | 400 (cd/m2) | |
| | Backlight Lifetime | 50,000 (hours) | |
| SYSTEM | Processor | Intel® Atom® x6425E Processor, Quad Core, 1.5M Cache, 2.0GHz (3.0GHz), 12W Intel® Atom® x6413E Processor, Quad Core, 1.5M Cache, 1.5GHz (3.0GHz), 9W | |
| | Memory | Two 260-pin SODIMM up to 32GB Dual channel DDR4 up to 3200MHz | |
| | BIOS | AMI SPI 256Mbit (supports UEFI boot only) | |
| GRAPHICS | Controller | Intel® UHD Graphics | |
| | Feature | OpenGL 4.5, DirectX 12, Open CL 1.2, Vulkan 1.1 HW Decode: AVC/H.264, MPEG2, VC1/WMV9, JPEG/MJPEG, HEVC/H.265, VP8, VP9 HW Encode: AVC/H.264, JPEG/MJPEG, HEVC/H.265, VP9 | |
| | Display | 1 x DP++ 1 x HDMI 2.0 | DP++: resolution up to 4096x2160 @ 60Hz HDMI: resolution up to 4096x2160 @ 24Hz |
| | Dual Displays | DP++ + HDMI | |
| STORAGE | External | 1 x 2.5" SATA 3.0 Drive Bay | |
| EXPANSION | Interface | 1 x M.2 2242/2280/3052 B Key (PCIe x1/SATA/USB2.0) | |
| | | 1 x M.2 2230 E Key (PCIe x1/USB2.0) 1 x Nano SIM socket (connected to M.2 B key) | |
| I/O | Ethernet | 2 x 2.5GHz RJ45 | |
| | Serial | 2 x RS232/422/485 2 x RS232 | |
| | USB | 2 x USB 3.2 Gen2 2 x USB 3.2 Gen1 | |
| | Display | 1 x DP++ 1 x HDMI | |
| | Audio | 1 x line-out | |
| | Button | 1 x Power Button | |
| POWER | Type | DC 9-36V | |
| | Connector | DC Jack | |
| MECHANISM | Construction | Plastic + Sheet Metal | |
| | Mounting | VESA mount 100 x 100 | |
| | IP Rating | IP65 Front Panel Protection without power button | |
| | Dimensions(W x H x D) | 392 x 256 x 51.7 mm | |
| | Weight | 4.1 Kg | |
| ENVIRONMENT | Operating Temperature | 0 ~ 50°C | |
| | Storage Temperature | -30 ~ 80°C | |
| | Relative Humidity | 10 to 95% @ 40°C, non-condensing | |
| STANDARDS AND CERTIFICATION | Shock | OP: Half-sine, 3G @ 11ms Non-OP: Half-sine, 5G @ 11ms | |
| | Vibration | OP: Random, 1Grms @ 5~500Hz, 30min Non-OP: Sweep sine, 3Grms @ 10~500Hz, 30min | |
| | Certifications | CE/FCC Class A/UKCA/RoHS | |

ORDERING INFORMATION

| Model Name | Part Number | Description |
|-------------------|------------------|---|
| KS156P-EHLW36-X13 | 750-KS156P0-000G | KS156P-EHLW36: 15.6" TFT WXGA Fan-less Panel PC with Projected Capacitive Touch, Intel® ATOM® x6413E, DC Input 9-36V DC jack, F/G SYSTEM RoHS |
| KS156P-EHLW36-X25 | 750-KS156P0-100G | KS156P-EHLW36: 15.6" TFT WXGA Fan-less Panel PC with Projected Capacitive Touch, Intel® Atom® x6425E, DC Input 9-36V DC jack, F/G SYSTEM RoHS |

PACKING LIST

| |
|-------------------------------|
| • 1 KS156P-EHL Touch Panel PC |
| • 1 Poron foam |
| • 1 Quick Installation Guide |

Assured Systems

Assured Systems is a leading technology company with over 1,500 regular clients in 80 countries, deploying over 85,000 systems to a diverse customer base in 12 years of business. We offer high-quality and innovative rugged computing, display, networking and data collection solutions to the embedded, industrial, and digital-out-of-home market sectors.

US

sales@assured-systems.com

Sales: +1 347 719 4508
Support: +1 347 719 4508

1309 Coffeen Ave
Ste 1200
Sheridan
WY 82801
USA

EMEA

sales@assured-systems.com

Sales: +44 (0)1785 879 050
Support: +44 (0)1785 879 050

Unit A5 Douglas Park
Stone Business Park
Stone
ST15 0YJ
United Kingdom

VAT Number: 120 9546 28
Business Registration Number: 07699660