

TT300-F00/1/2/3

6, 7, 8, 9th Gen. Intel® Core™ i7/i5/i3
Fanless System



Main Features

- Support 6, 7, 8, 9th Gen. Intel® Core™ i7/i5/i3 socket type processor
- Intel® H310C PCH
- 2 x HDMI (dual display)
- 4 x USB3.0
- 2 x RS232/422/485, 4 x RS232
- 1 x M.2 2280 Key M (storage)
- 1 x M.2 2242/3042 Key B (wireless connectivity)
- 1 x mSATA / miniPCIe (co-lay)
- 1 x SIM card socket
- Support +12V/24VDC input; support ATX power mode

Product Overview

The newest addition to NEXCOM's fanless systems for factories and production lines is so versatile that, with its appearance, you might be convinced that it can even toast bread! The TT Series kicks off with the 300 model and two variants, with (TT300-F31) and (TT300-F21) expansion extender. Choosing the extender means that you have numerous expansion capabilities at your fingertips, including a graphics card for advanced AI and predictive maintenance uses. With or without the extension, the TT 300 is an all-around fanless computer that supports an extensive range of 6th, 7th, 8th, and 9th Intel® CPUs, giving you the flexibility to adapt to both older Windows 7 and newer Windows 10 operating systems, rather than completely overhauling your ecosystem. The onboard M.2 slots are perfect for storage or communication, while the TT 300's lightweight but sturdy design ensures that it's the winning choice for industrial environments.

Specifications

CPU Support

- Support 6, 7, 8, 9th Gen Intel® Core™ i7/i5/i3 socket type processor
 - Intel® Celeron® G4900T, 2 Core, 2.9GHz, 2M Cache
 - Intel® Core™ i5-8500T, 6 Core, 2.1GHz, 9M Cache
 - Intel® Core™ i7-8700T, 6 Core, 2.4GHz, 12M Cache

Main Memory

- 1 x DDR4 2133/2400/2666 SO-DIMM socket, supports up to 16GB

Display Option

- Dual independent display
 - 2 x HDMI

Front I/O Interface Status LEDs

- 2 x GPO status
- COM TX/RX LEDs

Front I/O Interface

- ATX power on/off switch
- 4 x USB 3.0 ports
- 2 x HDMI
- 1 x Intel® I210-IT and 1 x Intel I219LM GbE LAN ports
- 2 x DB9 for COM1 and COM2
 - COM1/2: RS232/422/485 auto flow control

Rear I/O Interface

- 3 x Antenna holes
- 4 x DB9 for COM3 to COM6
 - COM3/4/5/6: RS232 only

Storage Device

- 1 x M.2 2280 (Key M, PCIe x 1, SATA)
- 1 x M.2 2242/3042 (Key B, PCIe x 1, USB2.0)
- 1 x mSATA (co-lay with mini-PCIe)

Expansion Slot

- 1 x mini-PCIe socket support optional Wi-Fi/3.5G/4G LTE (co-lay with mSATA)
- 1 x M.2 2242/3042 Key B support optional Wi-Fi/4G LTE/storage
- 1 x nano-SIM card slot

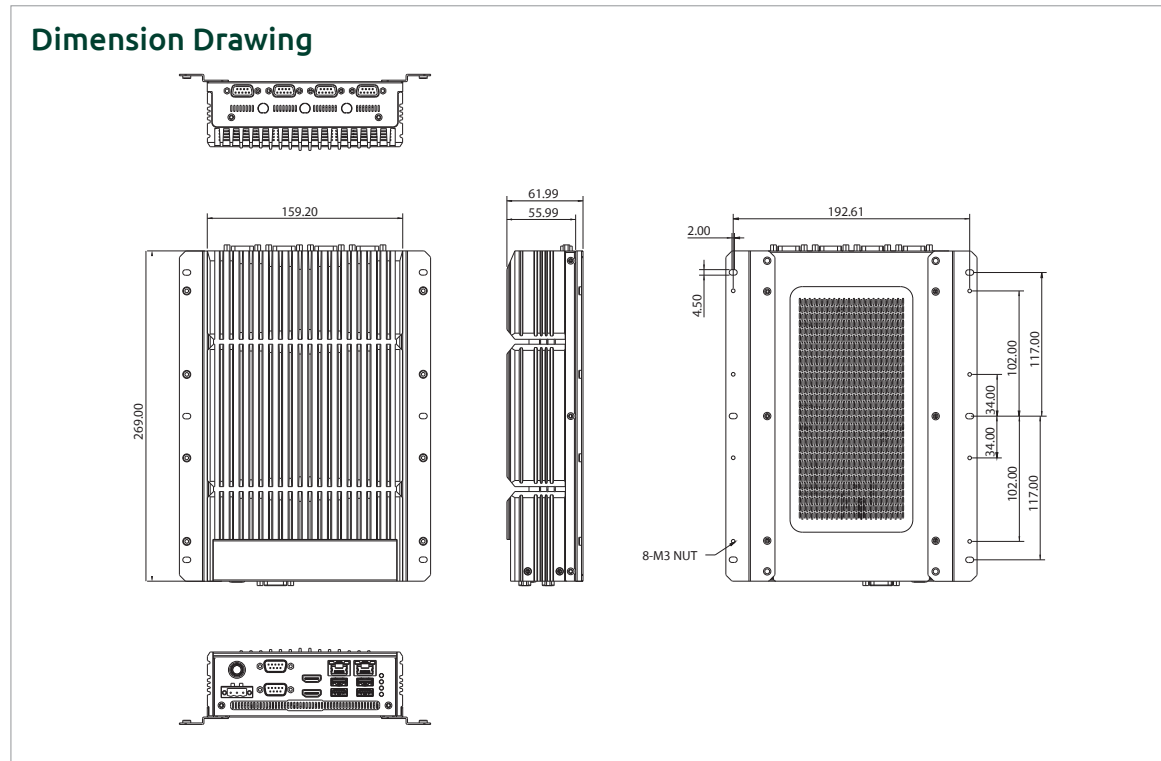
Power Requirements

- AT/ATX power mode (default: ATX power mode)
- Power input: +12/+24V DC in
- Power adapter: optional AC to DC power adapter (24V DC, 120W)

Dimensions

- 269(W) x 159.2(D) x 56(H) without wall mount bracket

www.nexaiot.com



Construction

- Aluminum and metal chassis with fanless design

Environment

- Operating temperature: ambient with air flow: -5°C to 50° (according to IEC60068-2-1, IEC60068-2-2, IEC60068-2-14)
- Storage temperature: -20°C to 80°C
- Relative humidity: 10% to 95% (non-condensing)
- Shock protection:
 - mini-PCIe: 20G, half sine, 11ms, IEC60068-2-27-
 - M.2: 50G, half sine, 11ms, IEC60068-2-27
- Vibration protection with M.2/mini-PCIe condition:
 - Random: 0.5Grms @ 5~500 Hz, IEC60068-2-64
 - Sinusoidal: 0.5Grms @ 5~500 Hz, IEC60068-2-6
- Vibration protection with M.2/mini-PCIe condition:
 - Random: 2Grms @ 5~500 Hz, IEC60068-2-64
 - Sinusoidal: 2Grms @ 5~500 Hz, IEC60068-2-6

Certifications

- CE approval- EN61000-6-2- EN61000-6-4
- FCC Class A

OS Support Lists

- Windows10 64-bit

Weight Information

- Gross weight: 4.2 kg
- Net weight: 3.3 kg

Ordering Information

- TT300-F00 without CPU (P/N: 10JT0030006X0)
- TT300-F01 with CPU Celeron G4900T (P/N: 10JT0030001X0)
- TT300-F02 with CPU i5-8500T (P/N: 10JT0030007X0)
- TT300-F03 with CPU i7-8700T (P/N: 10JT0030008X0)
- 24V, 120W AC to DC power adapter w/o power cord (P/N: 7400120029X00)

Assured Systems

Assured Systems is a leading technology company with over 1,500 regular clients in 80 countries, deploying over 85,000 systems to a diverse customer base in 12 years of business. We offer high-quality and innovative rugged computing, display, networking and data collection solutions to the embedded, industrial, and digital-out-of-home market sectors.

US

sales@assured-systems.com

Sales: +1 347 719 4508
Support: +1 347 719 4508

1309 Coffeen Ave
Ste 1200
Sheridan
WY 82801
USA

EMEA

sales@assured-systems.com

Sales: +44 (0)1785 879 050
Support: +44 (0)1785 879 050

Unit A5 Douglas Park
Stone Business Park
Stone
ST15 0YJ
United Kingdom

VAT Number: 120 9546 28
Business Registration Number: 07699660