

# APPC 1245T

12.1" TFT XGA 4:3 Flush Panel PC with Intel® Celeron® J1900, up to 2.0GHz,  
Touch Screen, 4GB DDR3L, 3 x USB, 2 x COM



## Main Features

- 4:3 12.1" XGA fanless LED panel computer
- Intel® Celeron® J1900, Quad Core, low consumption CPU
- Flush panel by 5-wire touch screen
- Dual GbE/2nd display-VGA/Line-out
- 3 x USB/2 x mini-PCIe sockets/1 x CFast/2 x RS232/422/485
- DDR3L 4GB/2.5" HDD bracket
- IP65 compliant front panel
- Mounting support: panel/wall/stand/VESA 100mm x 100mm
- Wide range power input 12V~30VDC

## Product Overview

The 12.1" XGA fanless panel PC APPC 1245T incorporating an industrial motherboard is intended for versatile industrial applications. APPC 1245T supports 1024 x 768 (XGA) resolution and 500-nit brightness. The front panel which adopts flush design and complies with IP65 standard makes it the perfect fit in industrial applications.

This APPC series supports WWAN/WLAN expansion and others via dual Gigabit Ethernet connectors, two mini-PCIe slots and one SIM card holder. With support for wide power input of 12~30VDC, this APPC series can gain a strong foothold in industrial field and machine devices. In addition, this APPC series can hook 2nd display via a VGA port for dual independent display. APPC 1245T has two isolated RS232/422/485 ports.

## Specifications

### Panel

- LCD size: 12.1", 4:3
- Resolution: XGA 1024 x 768
- Luminance: 500cd/m<sup>2</sup>
- Contrast ratio: 700
- LCD color: 16.7M
- Viewing angle: 70(U), 70(D), 80(L), 80(R)
- Backlight: LED

### Touch Screen

- 5-wire resistive (flush panel type)
- Light transmission: 80%
- Interface: USB

### System

- CPU: on-board Intel® Celeron® Quad Core processor J1900, up to 2.0GHz, 2M L2 cache
- BIOS: AMI BIOS
- System memory: 2 x 204-pin DDR3L SO-DIMM socket, 4GB DDR3L (default), support up to 8GB DDR3L-1066/1333, non-ECC and un-buffered
- Storage device:
  - 1 x External locked CFast socket
  - 1 x Hard drive bay: optional 1 x 2.5" SATA HDD or 1 x SATA DOM

- Watchdog timer: Watchdog timeout can be programmable by software from 1 second to 255 seconds and from 1 minute to 255 minutes (tolerance 15% under room temperature 25°C)
- H/W status monitor: monitoring system temperature, and voltage
- Expansion: 2 x mini-PCIe sockets (support optional Wi-Fi, 3.5G module)

### Rear I/O

- Ethernet: 2 x RJ45
- 2nd display VGA port: 1 x DB15
- Audio port: 1 x Line-out
- USB: 2 x USB 2.0 + 1 x USB 3.0
- Power switch
- Reset button
- 2-Pin remote power on/off switch
- COM #1: RS232/422/485 w/ 2.5kv isolated
- COM #2: RS232/422/485 w/ 2.5kv isolated

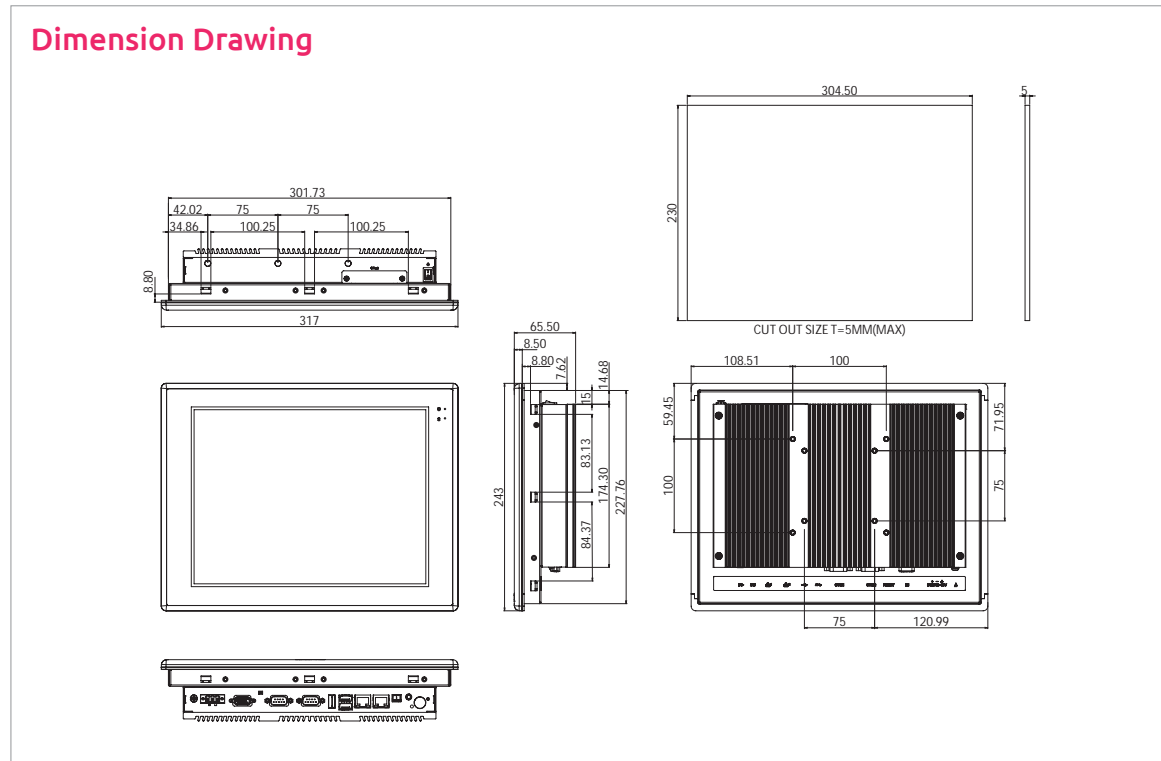
### Audio

- HD audio codec: realtek ALC886-GR
- Audio interface: Line-out

### Ethernet

- LAN chip: dual Intel® I210-AT Gigabit LAN
- Ethernet interface: 10/100/1000 Base-Tx Ethernet compatible

www.nexcom.com



**Mechanical & Environment**

- Color: Pantone black\RAL 15 00 front bezel w/ Pantone 400C\RAL 090 80 10 metal style membrane and black silver PC box
- IP protection: IP65 front
- Mounting: panel/wall/stand/VESA 100mm x 100mm
- Power
  - Power input: 12V~30VDC
  - Power adapter: optional AC to DC power adapter (+12V, 60W)
- Vibration:
  - IEC 68 2-64 (w/HDD)
  - 1Grms @ sine, 5~500Hz, 1hr/axis (HDD operating)
  - 2Grms @ sine, 5~500Hz, 1hr/axis (CFast operating)
  - 2.2Grms @ random condition, 5~500Hz, 0.5hr/axis (non-operating)
- Shock:
  - IEC 68 2-27
  - HDD: 20G@wall mount, half sine, 11ms
- Temperature
  - Operating temperature: -5°C~60°C
  - Storage temperature: -20°C~75°C
- Operating humidity: 10%~90% relative humidity, non-condensing limits to be at 90% RH at max 50°C
- Dimension: 317 x 243 x 65.5 mm
- Weight: 3.6 kg

**Certifications**

- CE approval
- FCC Class A

**OS Support Lists**

- Windows 10 64-bit
- Windows 8 32-bit/64-bit
- Windows 7 32-bit/64-bit
- WinCE 7.0

**Ordering Information**

**Barebone**

- **APPC 1245T-B (P/N: 10IA1245T08X0)**  
12.1" XGA LED backlight touch panel PC, Intel® Celeron® J1900 up to 2.0GHz, touch screen, 4GB DDR3L, 2 x RS232/422/485

**Options**

- **12V, 60W AC/DC power adapter w/o power cord (P/N: 7400060031X00)**

## Assured Systems

Assured Systems is a leading technology company with over 1,500 regular clients in 80 countries, deploying over 85,000 systems to a diverse customer base in 12 years of business. We offer high-quality and innovative rugged computing, display, networking and data collection solutions to the embedded, industrial, and digital-out-of-home market sectors.

### US

[sales@assured-systems.com](mailto:sales@assured-systems.com)

Sales: +1 347 719 4508  
Support: +1 347 719 4508

1309 Coffeen Ave  
Ste 1200  
Sheridan  
WY 82801  
USA

### EMEA

[sales@assured-systems.com](mailto:sales@assured-systems.com)

Sales: +44 (0)1785 879 050  
Support: +44 (0)1785 879 050

Unit A5 Douglas Park  
Stone Business Park  
Stone  
ST15 0YJ  
United Kingdom

VAT Number: 120 9546 28  
Business Registration Number: 07699660